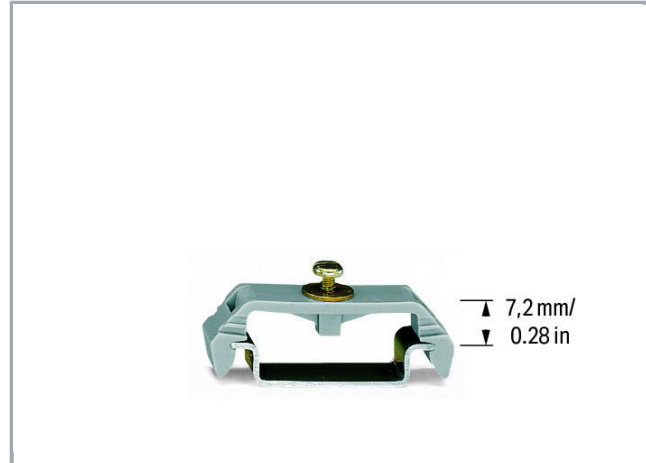
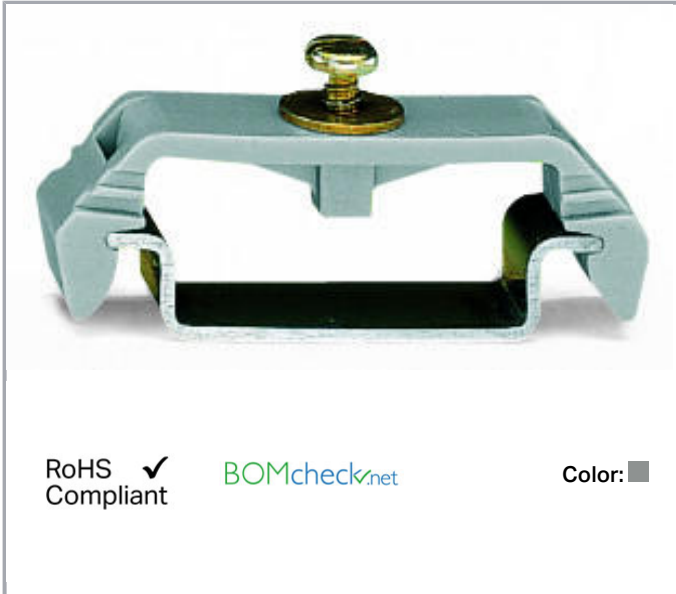


Data sheet | Item number: 209-106

Mounting carrier; for isolated mounting on DIN 35 rails; gray

www.wago.com/209-106



Data

Technical Data

Main product function	Mounting Accessories
Type of mounting	DIN-35 rail

Geometrical Data

Height	7,2 mm / 0.283 inch
Depth	7,2 mm / 0.283 inch

Material Data

Color	gray
Weight	3.8g

Commercial data

Product Group	2 (Terminal Block Accessories)
Packaging type	BOX
Country of origin	DE

Subject to changes. Please also observe the further product documentation!

WAGO Kontakttechnik GmbH & Co. KG
Hansastr. 27
32423 Minden
Phone: +49571 887-0 | Fax: +49571 887-169
Email: info.de@wago.com | Web: www.wago.com

Do you have any questions about our products?
We are always happy to take your call at +49 (571) 887-44222.



GTIN	4017332277150
Customs Tariff No.	39269097900

Counterpart

Downloads Documentation

Bid Text

209-106 doc - Datei	Aug 31, 2017	doc 24.1 kB	Download
209-106 GAEB X81 - Datei	Feb 19, 2019	xml 2.6 kB	Download

CAD/CAE-Data

CAD data

2D/3D Models 209-106	URL	Download
----------------------	-----	----------

CAE data

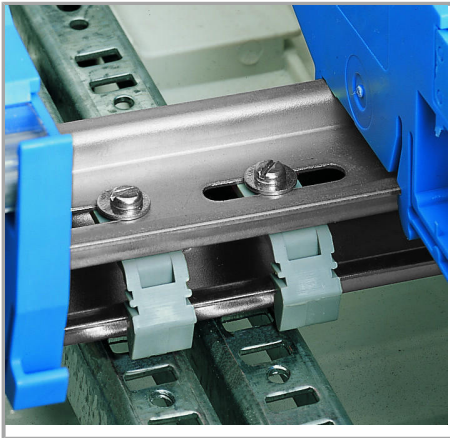
WSCAD Universe 209-106	URL	Download
------------------------	-----	----------

Installation Notes

Subject to changes. Please also observe the further product documentation!

WAGO Kontakttechnik GmbH & Co. KG
Hansastr. 27
32423 Minden
Phone: +49571 887-0 | Fax: +49571 887-169
Email: info.de@wago.com | Web: www.wago.com

Do you have any questions about our products?
We are always happy to take your call at +49 (571) 887-44222.



Isolated mounting of a carrier rail in a distribution box for protection class II

Subject to changes. Please also observe the further product documentation!