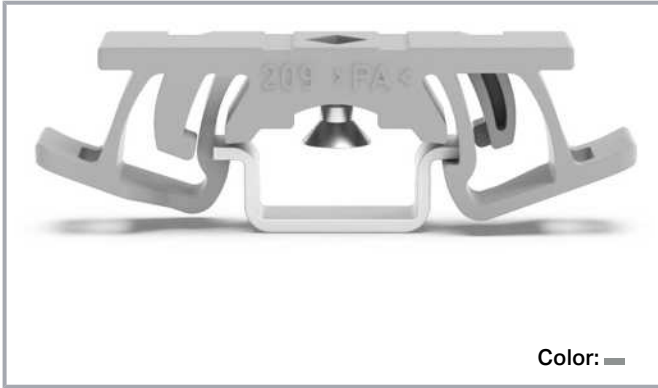


Data sheet | Item number: 209-1116 **NEW**

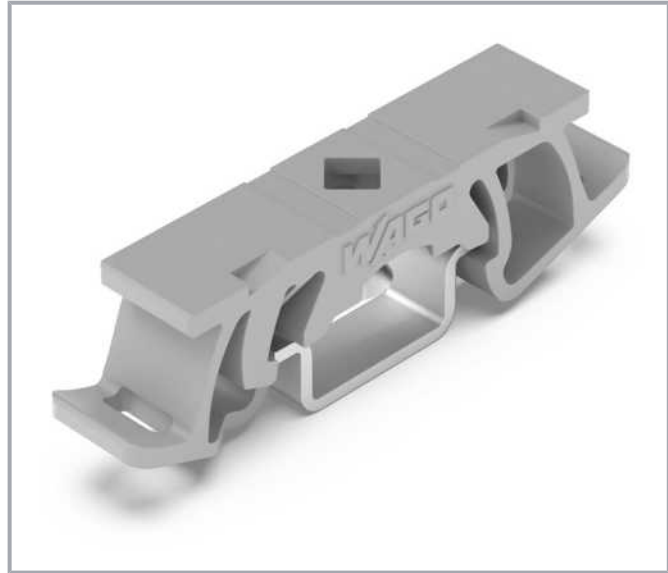
Mounting foot with screw; for DIN-15 rail; can be screwed on terminal blocks with fixing flange; 6.5 mm wide; gray



www.wago.com/209-1116



Color: 



Data

Technical data

Main product function

Mounting accessories

Physical data

Width	6.4 mm / 0.252 inch
Height	35.1 mm / 1.382 inch
Depth	10.2 mm / 0.402 inch

Material data

Color	gray
Fire load	0.024 MJ
Weight	1.4 g

Commercial data

PU (SPU)	25 (5) Stück
Country of origin	CN

Subject to changes. Please also observe the further product documentation!

WAGO Corporation
Germantown, WI 53022
Phone: 1-800-DIN-RAIL (346-7245) | Fax: (262) 255-6222
Email: info.us@wago.com | Web: www.wago.us

Do you have any questions about our products?
We are always happy to take your call at +49 (571) 887-44222.



GTIN	4055144114355
Customs tariff number	39269097900

Downloads

Environmental Product Compliance

Compliance Search

Environmental Product Compliance 209-1116	URL	Download
Mounting foot with screw; for DIN-15 rail; can be screwed on terminal blocks with fixing flange; 6.5 mm wide; gray		

Installation Notes

Subject to changes. Please also observe the further product documentation!

WAGO Corporation
Germantown, WI 53022
Phone: 1-800-DIN-RAIL (346-7245) | Fax: (262) 255-6222
Email: info.us@wago.com | Web: www.wago.us

Do you have any questions about our products?
We are always happy to take your call at +49 (571) 887-44222.