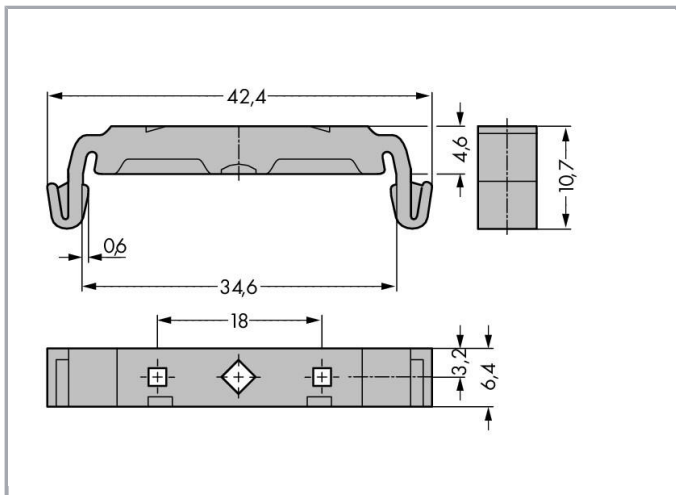
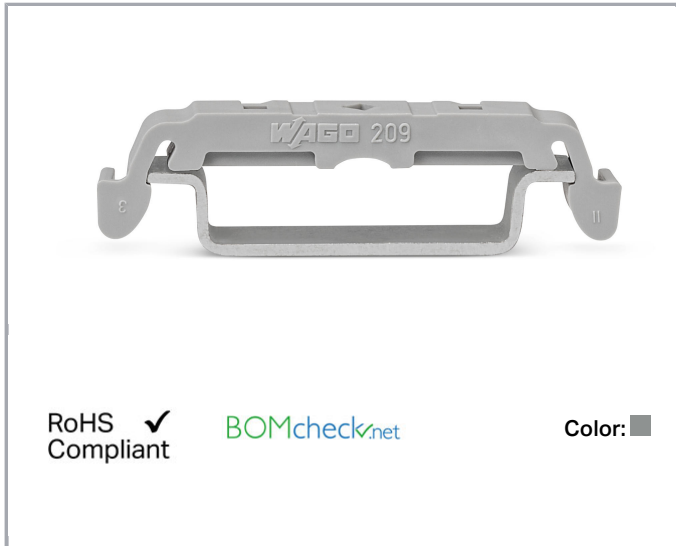


Data sheet | Item number: 209-120

Mounting foot; can be snapped on terminal blocks with snap-in mounting foot; for mounting on relay-modules; 6.4 mm wide; gray



www.wago.com/209-120



Data

Technical Data

Main product function	Mounting Accessories
Type of mounting	DIN-35 rail

Subject to changes. Please also observe the further product documentation!

WAGO Kontakttechnik GmbH & Co. KG
Hansastr. 27
32423 Minden
Phone: +49571 887-0 | Fax: +49571 887-169
Email: info.de@wago.com | Web: www.wago.com

Do you have any questions about our products?
We are always happy to take your call at +49 (571) 887-44222.

Geometrical Data

Width	6.4 mm / 0.252 inch
Height	4.6 mm / 0.181 inch
Depth	42.4 mm / 1.669 inch

Material Data

Color	gray
Fire load	0.034 MJ
Weight	1.1 g

Commercial data

Product Group	2 (Terminal Block Accessories)
Packaging type	BOX
Country of origin	CH
GTIN	4017332272421
Customs Tariff No.	39269097900

Counterpart

Compatible products

assembling



Item no.: 209-119

Fixing screw; for 209-120 mounting carrier

www.wago.com/209-119

Downloads

Documentation

Bid Text

209-120 doc - Datei	Aug 18, 2017	doc 23.0 kB	Download
209-120 GAEB X81 - Datei	Feb 19, 2019	xml 2.6 kB	Download

Subject to changes. Please also observe the further product documentation!

CAD/CAE-Data

CAD data

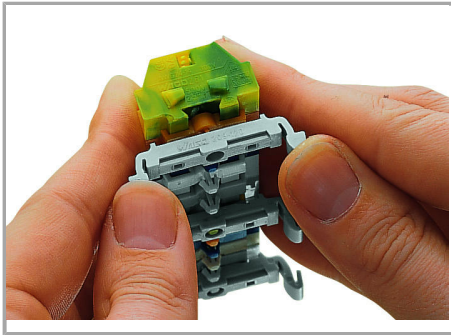
2D/3D Models 209-120	URL	Download
----------------------	-----	----------

CAE data

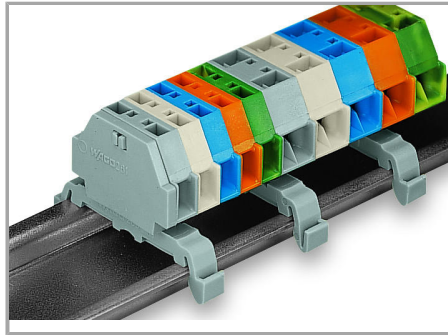
EPLAN Data Portal 209-120	URL	Download
---------------------------	-----	----------

WSCAD Universe 209-120	URL	Download
------------------------	-----	----------

Installation Notes



Terminal strip with snap-in mounting feet –
snapping a 209-123 Mounting Foot



Terminal strip with snap-in mounting feet on
DIN-35 rail

(distance between mounting feet: approx. 25
... 30 mm)

Subject to changes. Please also observe the further product documentation!