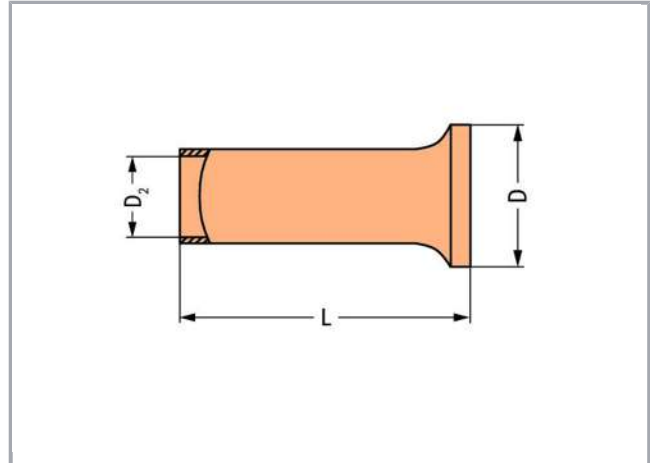


**Data sheet | Item number: 216-102**

Ferrule; Sleeve for 0.75 mm<sup>2</sup> / AWG 20; uninsulated; electro-tin plated

[www.wago.com/216-102](http://www.wago.com/216-102)



Subject to changes. Please also observe the further product documentation!

WAGO Kontakttechnik GmbH & Co. KG  
Hansastr. 27  
32423 Minden  
Phone: +49571 887-0 | Fax: +49571 887-169  
Email: [info.de@wago.com](mailto:info.de@wago.com) | Web: [www.wago.com](http://www.wago.com)

Do you have any questions about our products?  
We are always happy to take your call at +49 (571) 887-44222.



Subject to changes. Please also observe the further product documentation!

WAGO Kontakttechnik GmbH & Co. KG  
Hansastr. 27  
32423 Minden  
Phone: +49571 887-0 | Fax: +49571 887-169  
Email: [info.de@wago.com](mailto:info.de@wago.com) | Web: [www.wago.com](http://www.wago.com)

Do you have any questions about our products?  
We are always happy to take your call at +49 (571) 887-44222.

RoHS   
Compliant



## Data

### Technical Data

|                       |                      |
|-----------------------|----------------------|
| Main product function | Ferrule              |
| Querschnitt Hülse AWG | 18 AWG               |
| Hülse für             | 0.75 mm <sup>2</sup> |

### Connection data

|              |                  |
|--------------|------------------|
| Strip length | 8 mm / 0.31 inch |
|--------------|------------------|

### Geometrical Data

|            |        |
|------------|--------|
| Length     | 8 mm   |
| Diameter   | 2.3 mm |
| Diameter 2 | 1.2 mm |

### Material Data

|        |     |
|--------|-----|
| Weight | 0 g |
|--------|-----|

### Commercial data

|                    |                                |
|--------------------|--------------------------------|
| Product Group      | 2 (Terminal Block Accessories) |
| Packaging type     | BOX                            |
| Country of origin  | DE                             |
| GTIN               | 4017332277631                  |
| Customs Tariff No. | 85369010000                    |

### Counterpart

### Downloads

### Documentation

### Bid Text

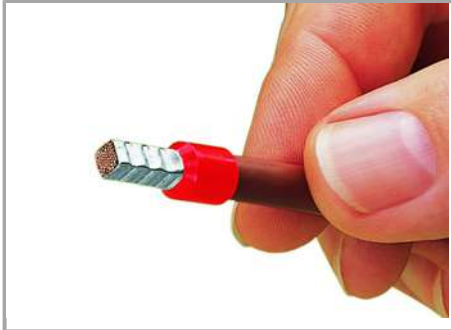
Subject to changes. Please also observe the further product documentation!

WAGO Kontakttechnik GmbH & Co. KG  
Hansastr. 27  
32423 Minden  
Phone: +49571 887-0 | Fax: +49571 887-169  
Email: [info.de@wago.com](mailto:info.de@wago.com) | Web: [www.wago.com](http://www.wago.com)

Do you have any questions about our products?  
We are always happy to take your call at +49 (571) 887-44222.

|                             |              |                |          |
|-----------------------------|--------------|----------------|----------|
| 216-102<br>GAEB X81 - Datei | Feb 19, 2019 | xml<br>2.8 kB  | Download |
| 216-102<br>doc - Datei      | Sep 11, 2017 | doc<br>24.6 kB | Download |

## Installation Notes



A perfect gas-tight crimp – both electrically and mechanically reliable

Subject to changes. Please also observe the further product documentation!