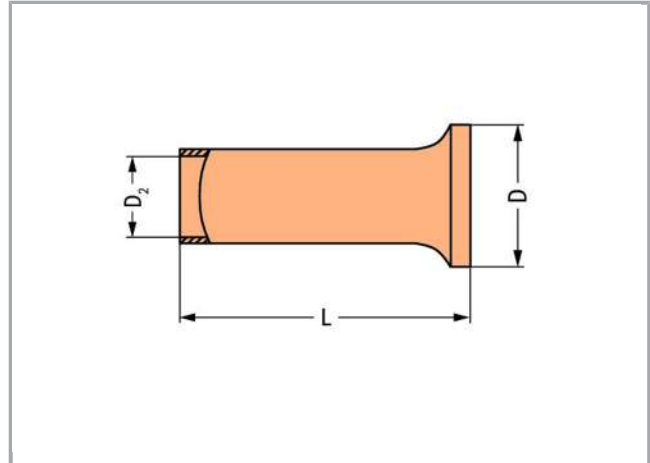


Data sheet | Item number: 216-106

Ferrule; Sleeve for 2.5 mm² / AWG 14; uninsulated; electro-tin plated

www.wago.com/216-106



Subject to changes. Please also observe the further product documentation!

WAGO Kontakttechnik GmbH & Co. KG
Hansastr. 27
32423 Minden
Phone: +49571 887-0 | Fax: +49571 887-169
Email: info.de@wago.com | Web: www.wago.com

Do you have any questions about our products?
We are always happy to take your call at +49 (571) 887-44222.



Subject to changes. Please also observe the further product documentation!

RoHS 
Compliant



Data

Technical Data

Main product function	Ferrule
Querschnitt Hülse AWG	14 AWG
Hülse für	2.5 mm ²

Connection data

Strip length	10 mm / 0.39 inch
--------------	-------------------

Geometrical Data

Length	10 mm
Diameter	3.4 mm
Diameter 2	2.2 mm

Material Data

Weight	0.1 g
--------	-------

Commercial data

Product Group	2 (Terminal Block Accessories)
Packaging type	BOX
Country of origin	DE
GTIN	4017332277686
Customs Tariff No.	85369010000

Counterpart

Downloads

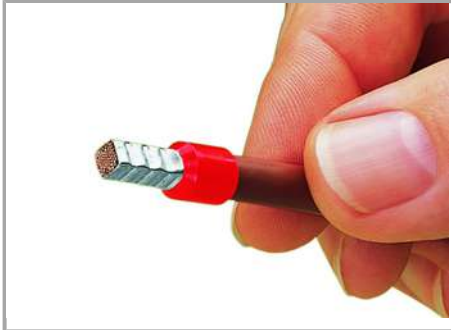
Documentation

Bid Text

Subject to changes. Please also observe the further product documentation!

216-106 GAEB X81 - Datei	Feb 19, 2019	xml 2.8 kB	Download
216-106 doc - Datei	Sep 11, 2017	doc 24.6 kB	Download

Installation Notes



A perfect gas-tight crimp – both electrically and mechanically reliable

Subject to changes. Please also observe the further product documentation!