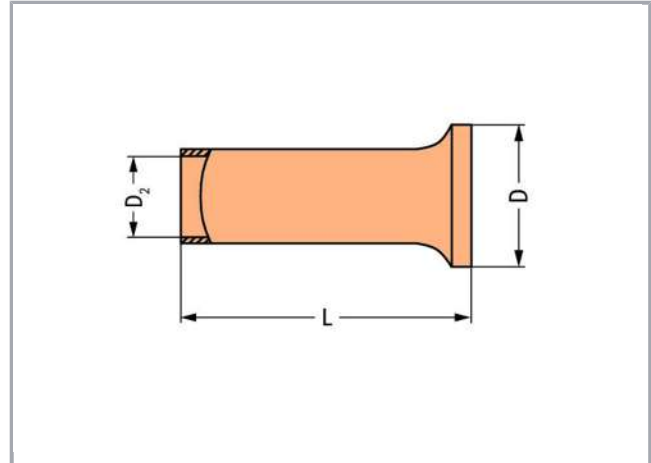


Data sheet | Item number: 216-123

Ferrule; Sleeve for 1 mm² / AWG 18; uninsulated; electro-tin plated

www.wago.com/216-123



Subject to changes. Please also observe the further product documentation!

WAGO Kontakttechnik GmbH & Co. KG
Hansastr. 27
32423 Minden
Phone: +49571 887-0 | Fax: +49571 887-169
Email: info.de@wago.com | Web: www.wago.com

Do you have any questions about our products?
We are always happy to take your call at +49 (571) 887-44222.

RoHS 
Compliant



Data

Technical Data

Main product function	Ferrule
Querschnitt Hülse AWG	18 AWG
Hülse für	1 mm ²

Connection data

Strip length	6 mm / 0.24 inch
--------------	------------------

Geometrical Data

Length	6 mm
Diameter	2.5 mm
Diameter 2	1.4 mm

Material Data

Weight	0 g
--------	-----

Commercial data

Product Group	2 (Terminal Block Accessories)
Packaging type	BOX
Country of origin	DE
GTIN	4017332277648
Customs Tariff No.	85369010000

Counterpart

Downloads

Documentation

Bid Text

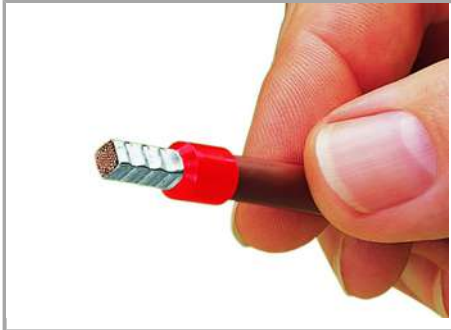
Subject to changes. Please also observe the further product documentation!

WAGO Kontakttechnik GmbH & Co. KG
Hansastr. 27
32423 Minden
Phone: +49571 887-0 | Fax: +49571 887-169
Email: info.de@wago.com | Web: www.wago.com

Do you have any questions about our products?
We are always happy to take your call at +49 (571) 887-44222.

216-123 GAEB X81 - Datei	Feb 19, 2019	xml 2.8 kB	Download
216-123 doc - Datei	Sep 11, 2017	doc 25.1 kB	Download

Installation Notes



A perfect gas-tight crimp – both electrically and mechanically reliable

Subject to changes. Please also observe the further product documentation!