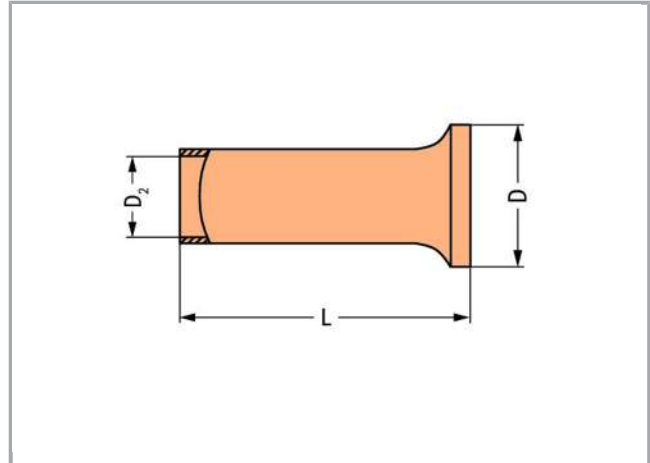


Data sheet | Item number: 216-132

Ferrule; Sleeve for 0.34 mm² / AWG 24; uninsulated; electro-tin plated

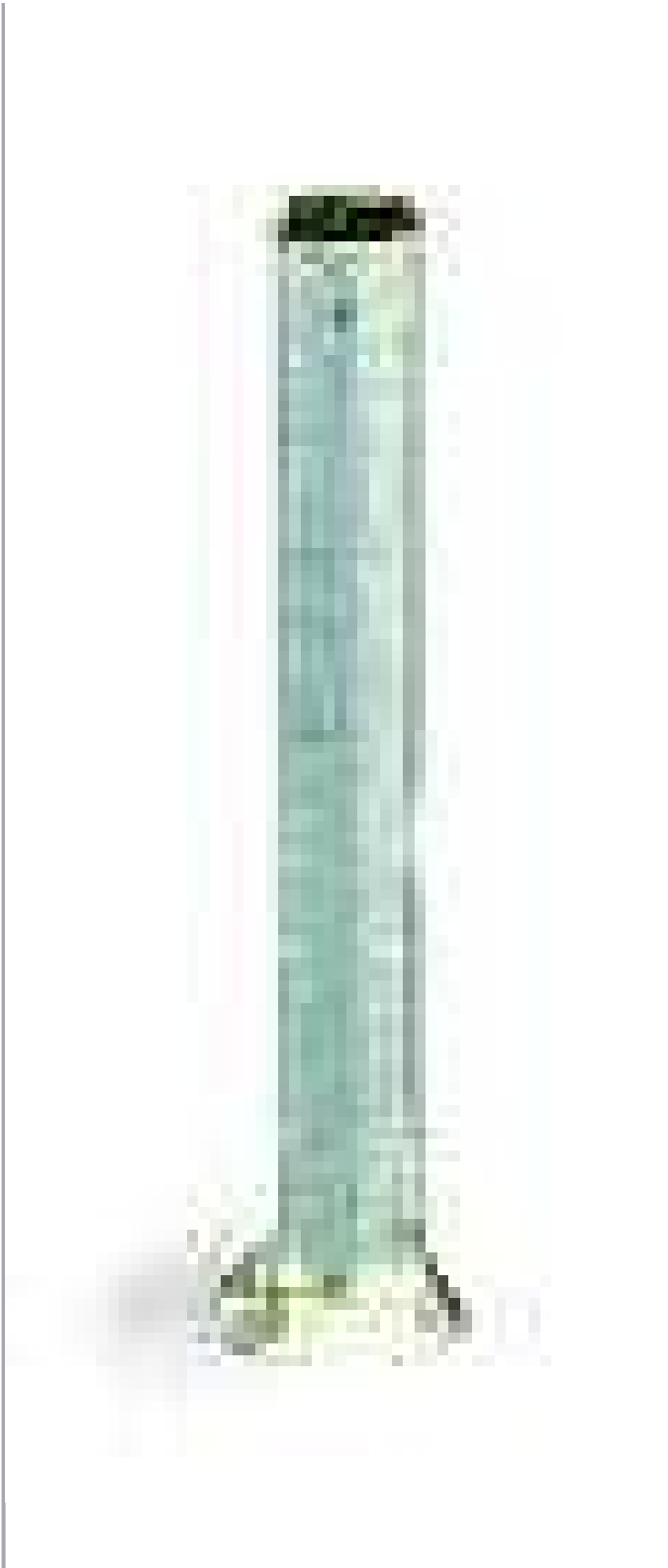
www.wago.com/216-132



Subject to changes. Please also observe the further product documentation!

WAGO Kontakttechnik GmbH & Co. KG
Hansastr. 27
32423 Minden
Phone: +49571 887-0 | Fax: +49571 887-169
Email: info.de@wago.com | Web: www.wago.com

Do you have any questions about our products?
We are always happy to take your call at +49 (571) 887-44222.



Subject to changes. Please also observe the further product documentation!

RoHS 
Compliant



Data

Technical Data

Main product function	Ferrule
Querschnitt Hülse AWG	22 AWG
Hülse für	0.34 mm ²

Connection data

Strip length	7 mm / 0.28 inch
--------------	------------------

Geometrical Data

Length	7 mm
Diameter	1.8 mm
Diameter 2	0.85 mm

Material Data

Weight	0 g
--------	-----

Commercial data

Product Group	2 (Terminal Block Accessories)
Packaging type	BOX
Country of origin	DE
GTIN	4017332277594
Customs Tariff No.	85369010000

Counterpart

Downloads

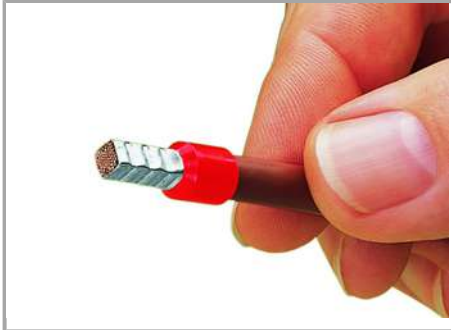
Documentation

Bid Text

Subject to changes. Please also observe the further product documentation!

216-132 GAEB X81 - Datei	Feb 19, 2019	xml 2.8 kB	Download
216-132 doc - Datei	Sep 11, 2017	doc 24.6 kB	Download

Installation Notes



A perfect gas-tight crimp – both electrically and mechanically reliable

Subject to changes. Please also observe the further product documentation!