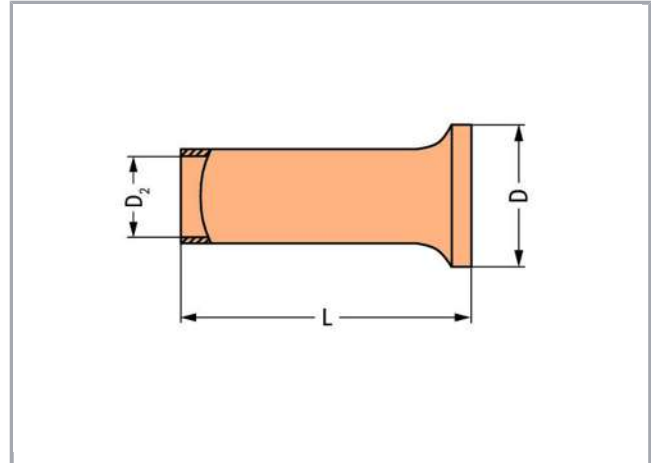


Data sheet | Item number: 216-143

Ferrule; Sleeve for 1 mm² / AWG 18; uninsulated; electro-tin plated;
electrolytic copper; gastight crimped; acc. to DIN 46228, Part 1/08.92



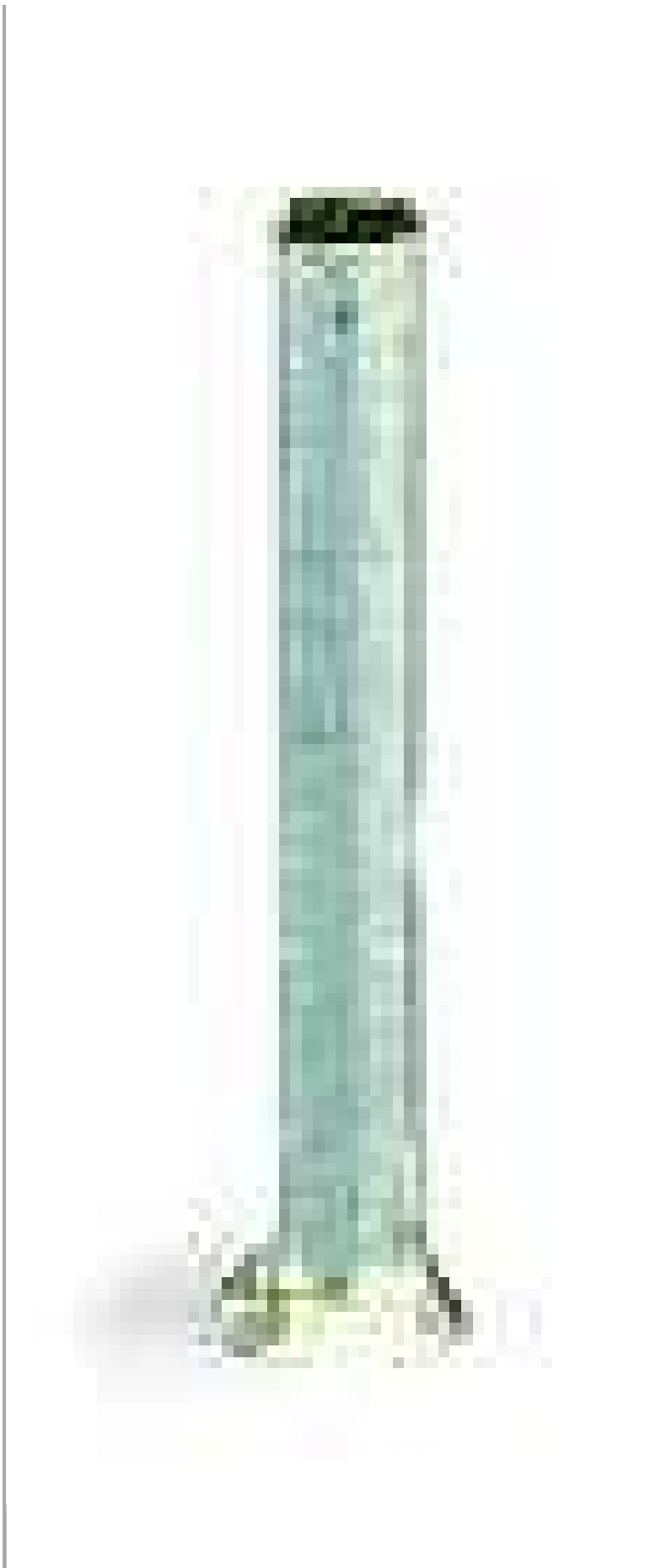
www.wago.com/216-143



Subject to changes. Please also observe the further product documentation!

WAGO Kontakttechnik GmbH & Co. KG
Hansastr. 27
32423 Minden
Phone: +49571 887-0 | Fax: +49571 887-169
Email: info.de@wago.com | Web: www.wago.com

Do you have any questions about our products?
We are always happy to take your call at +49 (571) 887-44222.



Subject to changes. Please also observe the further product documentation!

WAGO Kontakttechnik GmbH & Co. KG
Hansastr. 27
32423 Minden
Phone: +49571 887-0 | Fax: +49571 887-169
Email: info.de@wago.com | Web: www.wago.com

Do you have any questions about our products?
We are always happy to take your call at +49 (571) 887-44222.

RoHS 
Compliant



Data

Technical Data

Main product function	Ferrule
Querschnitt Hülse AWG	18 AWG
Hülse für	1 mm ²

Connection data

Strip length	10 mm / 0.39 inch
--------------	-------------------

Geometrical Data

Length	10 mm
Diameter	2.5 mm
Diameter 2	1.4 mm

Material Data

Weight	0.1 g
--------	-------

Commercial data

Product Group	2 (Terminal Block Accessories)
Packaging type	BOX
Country of origin	DE
GTIN	4044918016377
Customs Tariff No.	85369010000

Counterpart

Downloads

Documentation

Bid Text

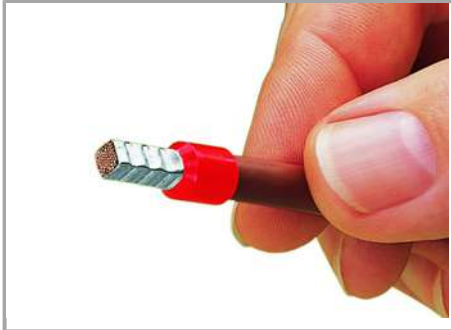
Subject to changes. Please also observe the further product documentation!

WAGO Kontakttechnik GmbH & Co. KG
Hansastr. 27
32423 Minden
Phone: +49571 887-0 | Fax: +49571 887-169
Email: info.de@wago.com | Web: www.wago.com

Do you have any questions about our products?
We are always happy to take your call at +49 (571) 887-44222.

216-143 doc - Datei	Jun 13, 2017	doc 23.6 kB	Download
216-143 GAEB X81 - Datei	Feb 19, 2019	xml 2.9 kB	Download

Installation Notes



A perfect gas-tight crimp – both electrically and mechanically reliable

Subject to changes. Please also observe the further product documentation!