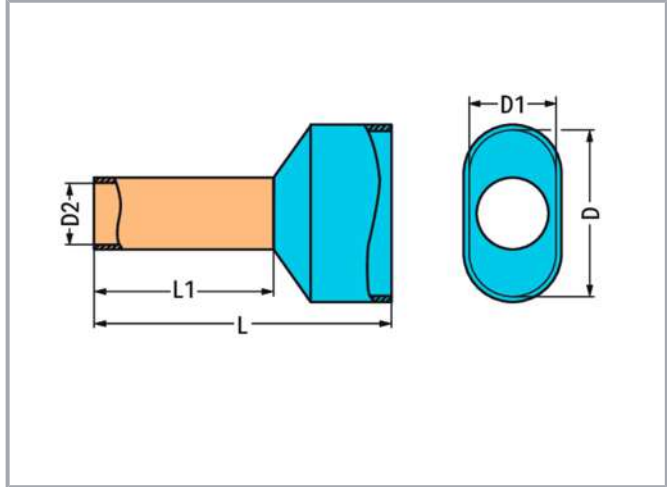
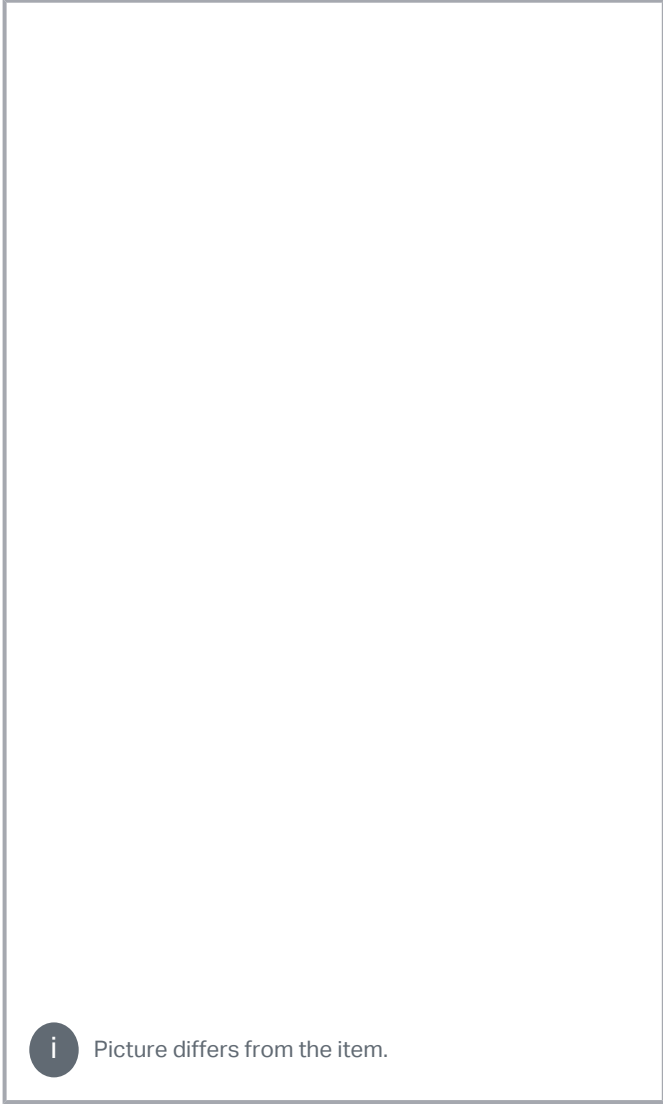


Data sheet | Item number: 216-1535

Twin ferrule; Sleeve for 2 x 2.5 mm / AWG 14; insulated; blue

www.wago.com/216-1535



Data

Technical data

Main product function

Ferrule

Subject to changes. Please also observe the further product documentation!

WAGO Corporation
Germantown, WI 53022
Phone: 1-800-DIN-RAIL (346-7245) | Fax: (262) 255-6222
Email: info.us@wago.com | Web: www.wago.us

Do you have any questions about our products?
We are always happy to take your call at +49 (571) 887-44222.



Connection data

Fine-stranded conductor	2.5 mm ² / 14 AWG
-------------------------	------------------------------

Physical data

Length	19 mm
Length 1	10 mm
Diameter	8 mm
Diameter 1	4.5 mm
Diameter 2	2.8 mm

Material data

Color	blue
Weight	0.3 g

Commercial data

PU (SPU)	500 Stück
Packaging type	bag
Country of origin VKOrg Germany	DE
GTIN	4055143582018
Customs tariff number VKOrg Germany	85369010000

Downloads

Environmental Product Compliance

Compliance Search

Environmental Product Compliance 216-1535	URL	Download
Twin ferrule; Sleeve for 2 x 2.5 mm / AWG 14; insulated; blue		

Installation Notes

Subject to changes. Please also observe the further product documentation!

WAGO Corporation
Germantown, WI 53022
Phone: 1-800-DIN-RAIL (346-7245) | Fax: (262) 255-6222
Email: info.us@wago.com | Web: www.wago.us

Do you have any questions about our products?
We are always happy to take your call at +49 (571) 887-44222.

Data sheet | Item number: 216-1535

www.wago.com/216-1535



A perfect gas-tight crimp – both electrically
and mechanically reliable

Subject to changes. Please also observe the further product documentation!

WAGO Corporation
Germantown, WI 53022
Phone: 1-800-DIN-RAIL (346-7245) | Fax: (262) 255-6222
Email: info.us@wago.com | Web: www.wago.us

Do you have any questions about our products?
We are always happy to take your call at +49 (571) 887-44222.