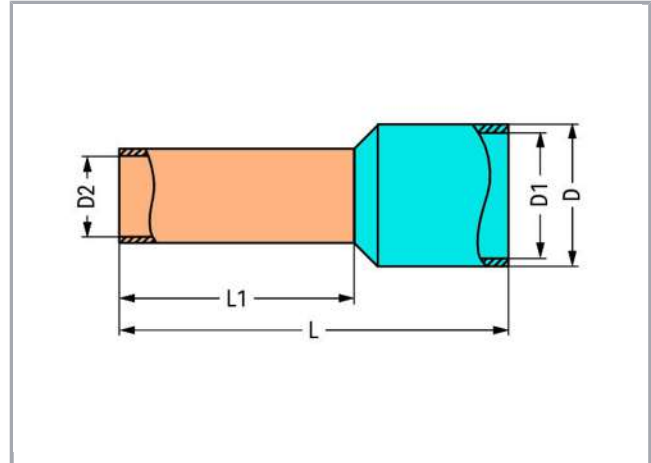


**Data sheet | Item number: 216-210**

Ferrule; Sleeve for 16 mm<sup>2</sup> / AWG 6; insulated; electro-tin plated; electrolytic copper; gastight crimped; acc. to DIN 46228, Part 4/09.90; blue



[www.wago.com/216-210](http://www.wago.com/216-210)



Subject to changes. Please also observe the further product documentation!

WAGO Kontakttechnik GmbH & Co. KG  
Hansastr. 27  
32423 Minden  
Phone: +49571 887-0 | Fax: +49571 887-169  
Email: [info.de@wago.com](mailto:info.de@wago.com) | Web: [www.wago.com](http://www.wago.com)

Do you have any questions about our products?  
We are always happy to take your call at +49 (571) 887-44222.



Subject to changes. Please also observe the further product documentation!

RoHS   
Compliant

BOMcheck.net

Color: **Data****Technical Data**

Main product function	Ferrule
Querschnitt Hülse AWG	6 AWG
Hülse für	16 mm <sup>2</sup>

**Connection data**

Strip length	23 mm / 0.91 inch
--------------	-------------------

**Geometrical Data**

Length	28 mm
Length 1	18 mm
Diameter	9.6 mm
Diameter 1	8.8 mm
Diameter 2	5.8 mm

**Material Data**

Color	blue
Fire load	0.001 MJ
Weight	0.9 g

**Commercial data**

Product Group	2 (Terminal Block Accessories)
Packaging type	BOX
Country of origin	DE
GTIN	4017332277556
Customs Tariff No.	85369010000

**Counterpart**

Subject to changes. Please also observe the further product documentation!

WAGO Kontakttechnik GmbH & Co. KG  
 Hansastr. 27  
 32423 Minden  
 Phone: +49571 887-0 | Fax: +49571 887-169  
 Email: [info.de@wago.com](mailto:info.de@wago.com) | Web: [www.wago.com](http://www.wago.com)

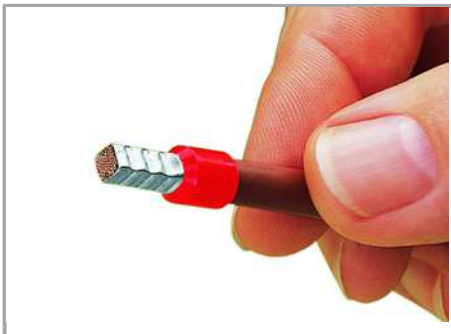
Do you have any questions about our products?  
 We are always happy to take your call at +49 (571) 887-44222.

## Downloads Documentation

### Bid Text

216-210 doc - Datei	Sep 11, 2017	doc 25.1 kB	Download
216-210 GAEB X81 - Datei	Feb 19, 2019	xml 2.9 kB	Download

## Installation Notes



A perfect gas-tight crimp – both electrically and mechanically reliable

Subject to changes. Please also observe the further product documentation!