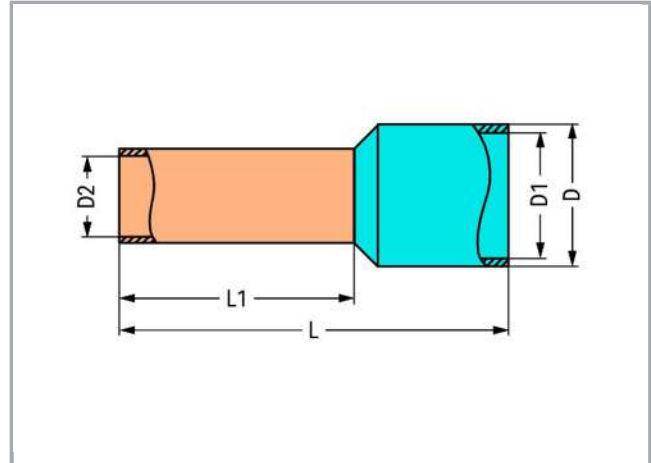


Data sheet | Item number: 216-246

Ferrule; Sleeve for 2.5 mm² / AWG 14; insulated; electro-tin plated;
electrolytic copper; gastight crimped; acc. to DIN 46228, Part 4/09.90; blue



www.wago.com/216-246



Subject to changes. Please also observe the further product documentation!

WAGO Kontakttechnik GmbH & Co. KG
Hansastr. 27
32423 Minden
Phone: +49571 887-0 | Fax: +49571 887-169
Email: info.de@wago.com | Web: www.wago.com

Do you have any questions about our products?
We are always happy to take your call at +49 (571) 887-44222.



Subject to changes. Please also observe the further product documentation!



Data

Technical Data

Main product function	Ferrule
Querschnitt Hülse AWG	14 AWG
Hülse für	2.5 mm ²

Connection data

Strip length	12 mm / 0.47 inch
--------------	-------------------

Geometrical Data

Length	17 mm
Length 1	10 mm
Diameter	4.7 mm
Diameter 1	4.2 mm
Diameter 2	2.2 mm

Material Data

Color	blue
Weight	0.2 g

Commercial data

Product Group	2 (Terminal Block Accessories)
Packaging type	BOX
Country of origin	DE
GTIN	4044918051101
Customs Tariff No.	85369010000

Counterpart

Subject to changes. Please also observe the further product documentation!

WAGO Kontakttechnik GmbH & Co. KG
 Hansastr. 27
 32423 Minden
 Phone: +49571 887-0 | Fax: +49571 887-169
 Email: info.de@wago.com | Web: www.wago.com

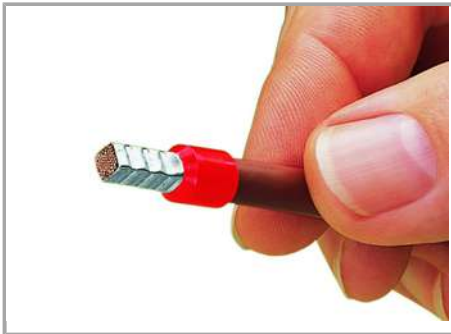
Do you have any questions about our products?
 We are always happy to take your call at +49 (571) 887-44222.

Downloads Documentation

Bid Text

216-246 doc - Datei	Sep 11, 2017	doc 24.1 kB	Download
216-246 GAEB X81 - Datei	Feb 19, 2019	xml 2.9 kB	Download

Installation Notes



A perfect gas-tight crimp – both electrically and mechanically reliable

Subject to changes. Please also observe the further product documentation!