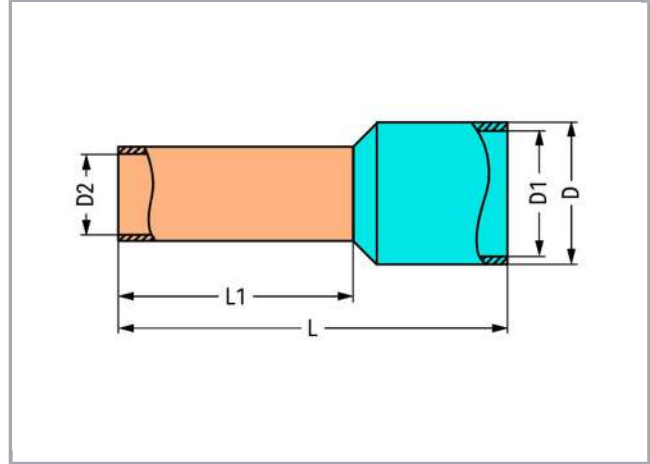


Data sheet | Item number: 216-288

Ferrule; Sleeve for 6 mm² / AWG 10; insulated; electro-tin plated; electrolytic copper; gastight crimped; acc. to DIN 46228, Part 4/09.90; yellow



www.wago.com/216-288



Subject to changes. Please also observe the further product documentation!

WAGO Kontakttechnik GmbH & Co. KG
Hansastr. 27
32423 Minden
Phone: +49571 887-0 | Fax: +49571 887-169
Email: info.de@wago.com | Web: www.wago.com

Do you have any questions about our products?
We are always happy to take your call at +49 (571) 887-44222.



Subject to changes. Please also observe the further product documentation!



Data

Technical Data

Main product function	Ferrule
Querschnitt Hülse AWG	10 AWG
Hülse für	6 mm ²

Connection data

Strip length	20 mm / 0.79 inch
--------------	-------------------

Geometrical Data

Length	26 mm
Length 1	18 mm
Diameter	6.9 mm
Diameter 1	6.3 mm
Diameter 2	3.5 mm

Material Data

Color	yellow
Fire load	0.016 MJ
Weight	0.5 g

Commercial data

Product Group	2 (Terminal Block Accessories)
Packaging type	BOX
Country of origin	DE
GTIN	4044918363372
Customs Tariff No.	85369010000

Counterpart

Subject to changes. Please also observe the further product documentation!

WAGO Kontakttechnik GmbH & Co. KG
 Hansastr. 27
 32423 Minden
 Phone: +49571 887-0 | Fax: +49571 887-169
 Email: info.de@wago.com | Web: www.wago.com

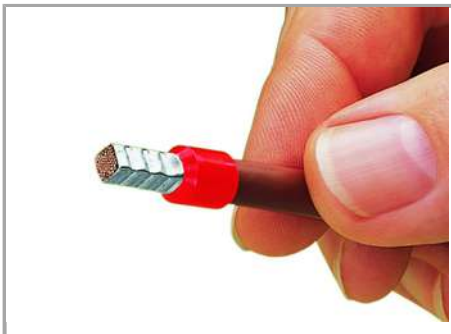
Do you have any questions about our products?
 We are always happy to take your call at +49 (571) 887-44222.

Downloads Documentation

Bid Text

216-288 GAEB X81 - Datei	Feb 19, 2019	xml 2.9 kB	Download
216-288 doc - Datei	Sep 11, 2017	doc 25.1 kB	Download

Installation Notes



A perfect gas-tight crimp – both electrically and mechanically reliable

Subject to changes. Please also observe the further product documentation!