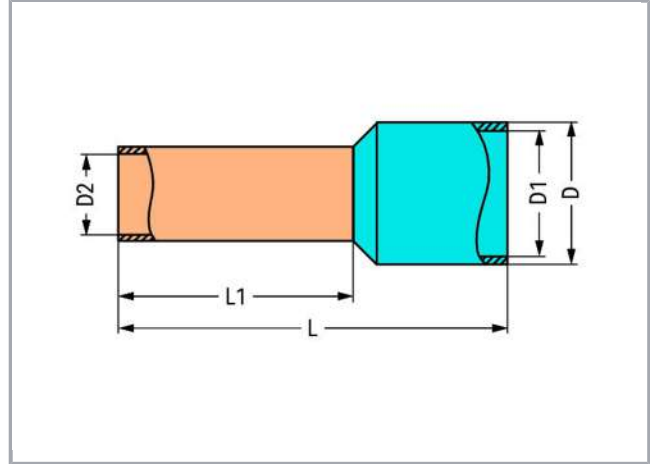


**Data sheet | Item number: 216-289**

Ferrule; Sleeve for 10 mm<sup>2</sup> / AWG 8; insulated; electro-tin plated; electrolytic copper; gastight crimped; acc. to DIN 46228, Part 4/09.90; red



[www.wago.com/216-289](http://www.wago.com/216-289)



Subject to changes. Please also observe the further product documentation!

WAGO Kontakttechnik GmbH & Co. KG  
Hansastr. 27  
32423 Minden  
Phone: +49571 887-0 | Fax: +49571 887-169  
Email: [info.de@wago.com](mailto:info.de@wago.com) | Web: [www.wago.com](http://www.wago.com)

Do you have any questions about our products?  
We are always happy to take your call at +49 (571) 887-44222.



Subject to changes. Please also observe the further product documentation!



## Data

### Technical Data

Main product function	Ferrule
Querschnitt Hülse AWG	8 AWG
Hülse für	10 mm <sup>2</sup>

### Connection data

Strip length	20 mm / 0.79 inch
--------------	-------------------

### Geometrical Data

Length	28 mm
Length 1	18 mm
Diameter	8.4 mm
Diameter 1	7.6 mm
Diameter 2	4.5 mm

### Material Data

Color	red
Weight	0.7 g

### Commercial data

Product Group	2 (Terminal Block Accessories)
Packaging type	BOX
Country of origin	DE
GTIN	4044918604352
Customs Tariff No.	85369010000

### Counterpart

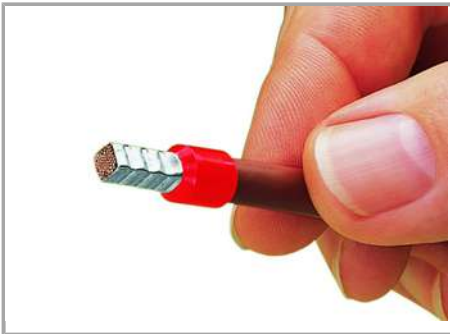
Subject to changes. Please also observe the further product documentation!

## Downloads Documentation

### Bid Text

216-289 GAEB X81 - Datei	Feb 19, 2019	xml 2.9 kB	Download
216-289 doc - Datei	Sep 11, 2017	doc 25.1 kB	Download

## Installation Notes



A perfect gas-tight crimp – both electrically and mechanically reliable

Subject to changes. Please also observe the further product documentation!