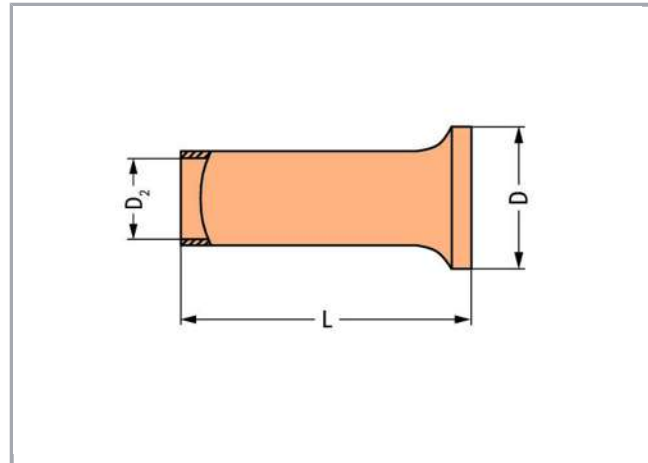


Data sheet | Item number: 216-413

Ferrule; Sleeve for 25 mm² / AWG 4; uninsulated; electro-tin plated; electrolytic copper; gastight crimped; acc. to DIN 46228, Part 1/08.92



www.wago.com/216-413



Data

Technical Data

Subject to changes. Please also observe the further product documentation!

WAGO Kontakttechnik GmbH & Co. KG
Hansastr. 27
32423 Minden
Phone: +49571 887-0 | Fax: +49571 887-169
Email: info.de@wago.com | Web: www.wago.com

Do you have any questions about our products?
We are always happy to take your call at +49 (571) 887-44222.



Main product function	Ferrule
Querschnitt Hülse AWG	4 AWG
Hülse für	25 mm ²

Connection data

Strip length	25 mm / 0.98 inch
--------------	-------------------

Geometrical Data

Length	25 mm
Diameter	9.5 mm
Diameter 2	7.3 mm

Material Data

Weight	1.1 g
--------	-------

Commercial data

Product Group	2 (Terminal Block Accessories)
Packaging type	BOX
Country of origin	DE
GTIN	4050821134176
Customs Tariff No.	85369010000

Counterpart

Downloads

Documentation

Bid Text

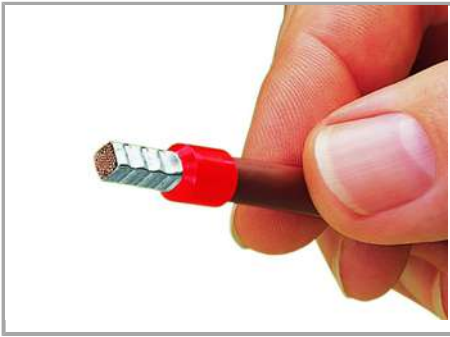
216-413 doc - Datei	Sep 11, 2017	doc 24.6 kB	Download
216-413 GAEB X81 - Datei	Feb 19, 2019	xml 2.8 kB	Download

Installation Notes

Subject to changes. Please also observe the further product documentation!

WAGO Kontakttechnik GmbH & Co. KG
 Hansastr. 27
 32423 Minden
 Phone: +49571 887-0 | Fax: +49571 887-169
 Email: info.de@wago.com | Web: www.wago.com

Do you have any questions about our products?
 We are always happy to take your call at +49 (571) 887-44222.



A perfect gas-tight crimp – both electrically and mechanically reliable

Subject to changes. Please also observe the further product documentation!