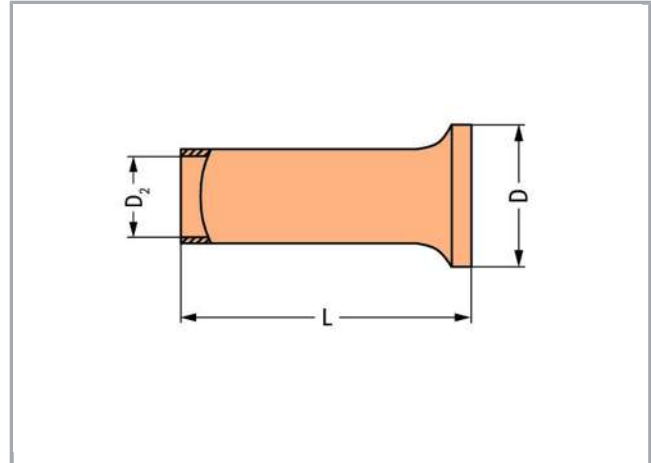


Data sheet | Item number: 216-425

Ferrule; Sleeve for 50 mm² / AWG 1; uninsulated; electro-tin plated;
electrolytic copper; gastight crimped; acc. to DIN 46228, Part 1/08.92



www.wago.com/216-425



Data
Technical Data

Subject to changes. Please also observe the further product documentation!

WAGO Kontakttechnik GmbH & Co. KG
Hansastr. 27
32423 Minden
Phone: +49571 887-0 | Fax: +49571 887-169
Email: info.de@wago.com | Web: www.wago.com

Do you have any questions about our products?
We are always happy to take your call at +49 (571) 887-44222.



Main product function	Ferrule
Querschnitt Hülse AWG	1 AWG
Hülse für	50 mm ²

Connection data

Strip length	30 mm / 1.18 inch
--------------	-------------------

Geometrical Data

Length	30 mm
Diameter	13 mm
Diameter 2	10.3 mm

Material Data

Weight	10 g
--------	------

Commercial data

Product Group	2 (Terminal Block Accessories)
Packaging type	BOX
Country of origin	DE
GTIN	4050821134206
Customs Tariff No.	85369010000

Counterpart**Downloads****Documentation****Bid Text**

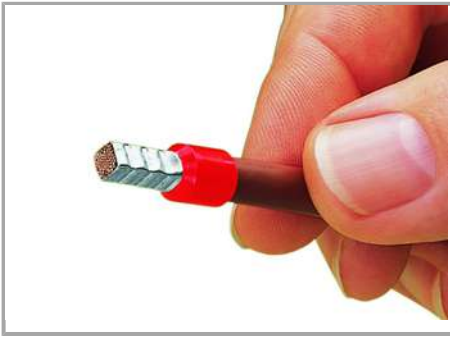
216-425 doc - Datei	Sep 11, 2017	doc 24.6 kB	Download
216-425 GAEB X81 - Datei	Feb 19, 2019	xml 2.8 kB	Download

Installation Notes

Subject to changes. Please also observe the further product documentation!

WAGO Kontakttechnik GmbH & Co. KG
Hansastr. 27
32423 Minden
Phone: +49571 887-0 | Fax: +49571 887-169
Email: info.de@wago.com | Web: www.wago.com

Do you have any questions about our products?
We are always happy to take your call at +49 (571) 887-44222.



A perfect gas-tight crimp – both electrically and mechanically reliable

Subject to changes. Please also observe the further product documentation!