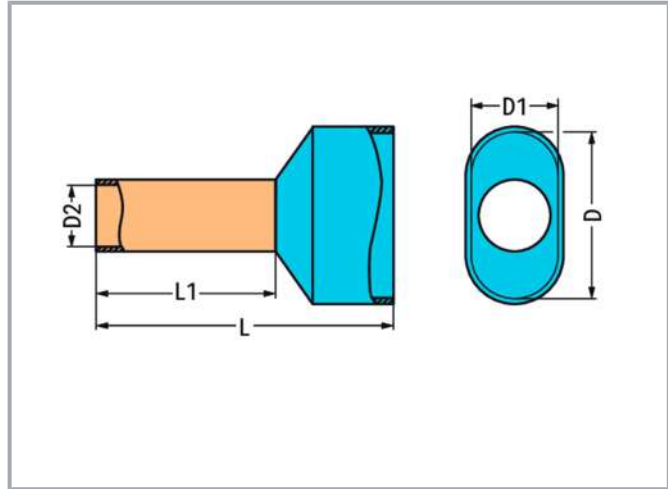


Data sheet | Item number: 216-541

Twin ferrule; insulated; Sleeve for 2 x 0.75 mm² / 2 x AWG 18; 12 mm long;
gray



www.wago.com/216-541



 Picture differs from the item.

Data

Technical data

Main product function	Ferrule
Sleeve cross-section (AWG)	18 AWG
Sleeve for	0.75 mm ²

Subject to changes. Please also observe the further product documentation!

WAGO Corporation
Germantown, WI 53022
Phone: 1-800-DIN-RAIL (346-7245) | Fax: (262) 255-6222
Email: info.us@wago.com | Web: www.wago.us

Do you have any questions about our products?
We are always happy to take your call at +49 (571) 887-44222.



Connection data

Strip length	12 mm / 0.47 inch
Fine-stranded conductor	0.75 mm ² / 18 AWG

Physical data

Length	18 mm
Length 1	12 mm
Diameter	5.5 mm
Diameter 1	3 mm
Diameter 2	1.7 mm

Material data

Color	gray
Weight	0.2 g

Commercial data

PU (SPU)	500 Stück
Packaging type	bag
Country of origin VKOrg Germany	US
GTIN	4055143492430
Customs tariff number VKOrg Germany	8536904000

Downloads

Environmental Product Compliance

Compliance Search

Environmental Product Compliance 216-541	URL	Download
Twin ferrule; insulated; Sleeve for 2 x 0.75 mm ² / 2 x AWG 18; 12 mm long; gray		

Installation Notes

Subject to changes. Please also observe the further product documentation!

WAGO Corporation
 Germantown, WI 53022
 Phone: 1-800-DIN-RAIL (346-7245) | Fax: (262) 255-6222
 Email: info.us@wago.com | Web: www.wago.us

Do you have any questions about our products?
 We are always happy to take your call at +49 (571) 887-44222.

Data sheet | Item number: 216-541

www.wago.com/216-541



A perfect gas-tight crimp – both electrically and mechanically reliable

Subject to changes. Please also observe the further product documentation!

WAGO Corporation
Germantown, WI 53022
Phone: 1-800-DIN-RAIL (346-7245) | Fax: (262) 255-6222
Email: info.us@wago.com | Web: www.wago.us

Do you have any questions about our products?
We are always happy to take your call at +49 (571) 887-44222.