

Data sheet | Item number: 222-500

Mounting carrier; 222 Series; for DIN-35 rail mounting/screw mounting;  
orange



[www.wago.com/222-500](http://www.wago.com/222-500)



## Data

### Geometrical Data

Width	22 mm / 0.866 inch
Height from upper-edge of DIN-35 rail	26 mm / 1.024 inch
Depth	66 mm / 2.598 inch

Subject to changes. Please also observe the further product documentation!

WAGO Kontakttechnik GmbH & Co. KG  
Hansastr. 27  
32423 Minden  
Phone: +49571 887-0 | Fax: +49571 887-169  
Email: [info.de@wago.com](mailto:info.de@wago.com) | Web: [www.wago.com](http://www.wago.com)

Do you have any questions about our products?  
We are always happy to take your call at +49 (571) 887-44222.



## Material Data

Color	orange
Fire load	0.326 MJ
Weight	10.9 g

## Commercial data

Product Group	7 (Push Wire Conn.)
Packaging type	BOX
Country of origin	CN
GTIN	4045454714765
Customs Tariff No.	39269097900

## Counterpart

### Downloads

#### Documentation

##### Bid Text

222-500 doc - Datei	May 19, 2017	doc 24.1 kB	Download
------------------------	--------------	----------------	----------

222-500 GAEB X81 - Datei	Feb 19, 2019	xml 2.8 kB	Download
-----------------------------	--------------	---------------	----------

##### Additional Information

Technical explanations	Apr 3, 2019	pdf 2.1 MB	Download
------------------------	-------------	---------------	----------

## CAD/CAE-Data

### CAD data

2D/3D Models 222-500	URL	Download
----------------------	-----	----------

### CAE data

EPLAN Data Portal 222-500	URL	Download
---------------------------	-----	----------

### WSCAD Universe 222-500

Subject to changes. Please also observe the further product documentation!

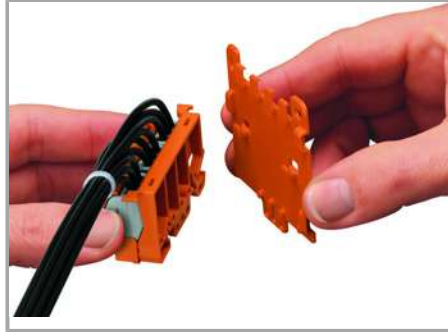
WAGO Kontakttechnik GmbH & Co. KG  
 Hansastr. 27  
 32423 Minden  
 Phone: +49571 887-0 | Fax: +49571 887-169  
 Email: [info.de@wago.com](mailto:info.de@wago.com) | Web: [www.wago.com](http://www.wago.com)

Do you have any questions about our products?  
 We are always happy to take your call at +49 (571) 887-44222.

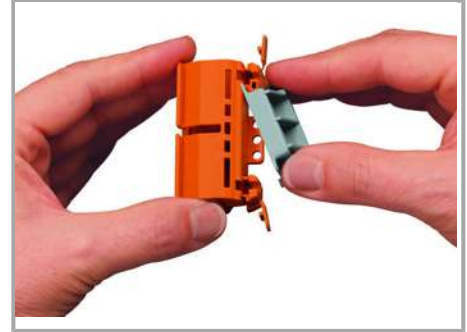
## Installation Notes



Snapping the lateral connector safety lock onto the mounting carrier.



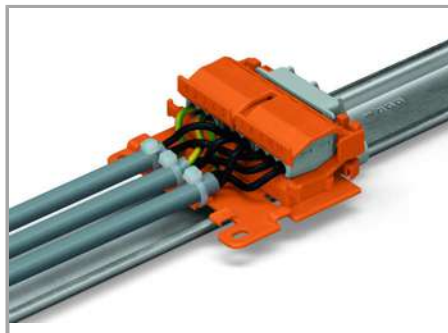
Securing a strain relief plate (222-505) to the mounting carrier.



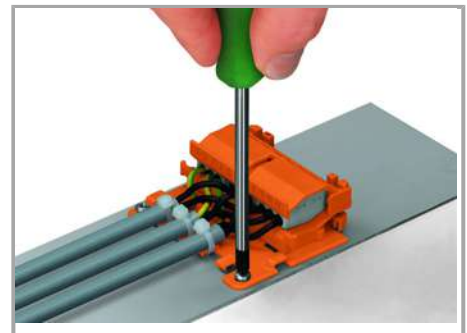
Snapping the angled DIN-rail adapter (222-510) onto the mounting carrier.



Horizontal mounting on DIN-35 rail using an angled DIN-rail adapter.



Horizontal mounting on DIN-35 rail using an angled DIN-rail adapter



Horizontal screw mounting with strain relief plate on a flat surface

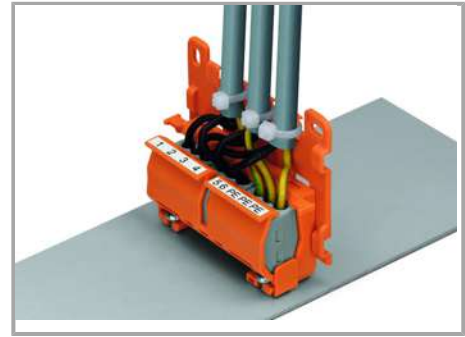
Subject to changes. Please also observe the further product documentation!



Vertical mounting with strain relief plate on DIN-35 rail;  
Marking clamping units via marking strips.



Strain relief via cable ties on the mounting carrier (transverse to the connectors' wiring direction);  
Molded marking clamping units



Mounting carrier with strain relief plate mounted vertically on a plate;  
Round cable secured via strain relief lug.

Subject to changes. Please also observe the further product documentation!