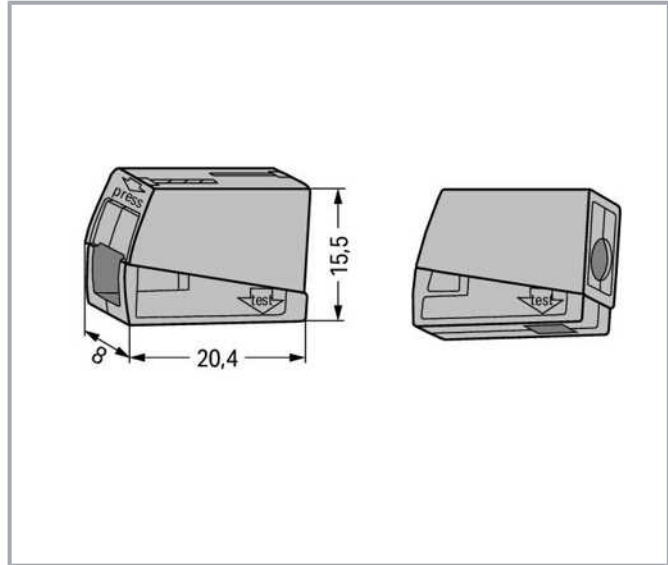


**Data sheet | Item number: 224-111 NEW**

Lighting connector; push-button on lighting side; Alu-Plus contact paste;  
Lighting side: for all conductor types; Inst. side: for solid conductors; 224  
Series; max. 2.5 mm<sup>2</sup>; Surrounding air temperature: max 60°C; 2,50 mm<sup>2</sup>; gray



[www.wago.com/224-111](http://www.wago.com/224-111)



Color: —

**Data  
Notes**

Safety information 1

in grounded power lines

Subject to changes. Please also observe the further product documentation!

WAGO Corporation  
Germantown, WI 53022  
Phone: 1-800-DIN-RAIL (346-7245) | Fax: (262) 255-6222  
Email: [info.us@wago.com](mailto:info.us@wago.com) | Web: [www.wago.us](http://www.wago.us)

Do you have any questions about our products?  
We are always happy to take your call at +49 (571) 887-44222.



## Electrical data

### IEC Approvals

Ratings per	EN 60664
Nominal voltage (II/2)	400 V
Rated surge voltage (II/2)	4 kV
Rated current	24 A
Legend (ratings)	(II / 2) ≙ Overvoltage category II / Pollution degree 2

### Connection data

Total number of connection points	2
Total number of potentials	1

### Connection 1

Connection type (1)	Installation side
Connection technology	PUSH WIRE®
Total number of connection points	1
Actuation type	Push-in
Connectable conductor materials	Copper Aluminum

Note on connectable conductor materials

#### Terminating Aluminum Conductors

WAGO spring clamp terminal blocks are suitable for solid aluminum conductors up to 4 mm<sup>2</sup>/12 AWG if WAGO "Alu-Plus" Contact Paste is used for termination.

"Alu-Plus" Contact Paste Advantages:

- Automatically destroys the oxide film during clamping.
- Prevents fresh oxidation at the clamping point.
- Prevents electrolytic corrosion between aluminum and copper conductors (in the same terminal block).
- Provides long-term protection against corrosion.

Subject to changes. Please also observe the further product documentation!

WAGO Corporation  
 Germantown, WI 53022  
 Phone: 1-800-DIN-RAIL (346-7245) | Fax: (262) 255-6222  
 Email: [info.us@wago.com](mailto:info.us@wago.com) | Web: [www.wago.us](http://www.wago.us)

Do you have any questions about our products?  
 We are always happy to take your call at +49 (571) 887-44222.



Using terminal blocks with CAGE CLAMP® Spring Pressure Connection Technology, **aluminum conductors must first be cleaned with a blade** and then immediately be inserted into the clamping units filled with "Alu-Plus" Contact Paste.

For spring clamp connections with PUSH WIRE® connection technology, **WAGO recommends that the aluminum conductor first be cleaned** and then immediately inserted into the clamping unit filled with "Alu-Plus" contact paste.

It is also possible to apply WAGO "Alu-Plus" **additionally** on the whole surface of the aluminum conductor before termination.

Please note that the nominal currents must be adapted to the reduced conductivity of the aluminum conductors::

2.5 mm<sup>2</sup> = 16 A

4 mm<sup>2</sup> = 22 A

Solid conductor	1 ... 2.5 mm <sup>2</sup> / 14 ... 12 AWG
Strip length	9 ... 11 mm / 0.35 ... 0.43 inch
Wiring direction	Side-entry wiring

## Connection 2

Connection type 2	Lighting side
Connection technology 2	CAGE CLAMP®
Number of connection points 2	1
Solid conductor 2	0.5 ... 2.5 mm <sup>2</sup> / 20 ... 16 AWG
Fine-stranded conductor 2	0.5 ... 2.5 mm <sup>2</sup> / 20 ... 16 AWG

## Physical data

Width	8 mm / 0.315 inch
Height	15.5 mm / 0.61 inch
Depth	20.4 mm / 0.803 inch

## Material data

Color	gray
Fire load	0.04 MJ
Weight	1.9 g

Subject to changes. Please also observe the further product documentation!



## Environmental requirements

Surrounding air temperature (operation)	60 °C
Continuous operating temperature	105 °C

## Commercial data

PU (SPU)	100 Pieces
Country of origin	CH
GTIN	4044918583886
Customs tariff number	85369010000

## Downloads

### Documentation

#### Bid Text

224-101 docx - Datei	2019 Feb 21	docx 15.9 kB	Download
224-101 X81 - Datei	2019 Feb 19	xml 3.5 kB	Download

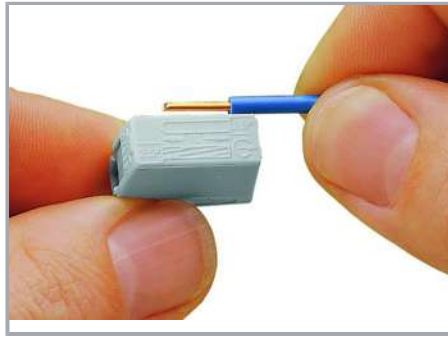
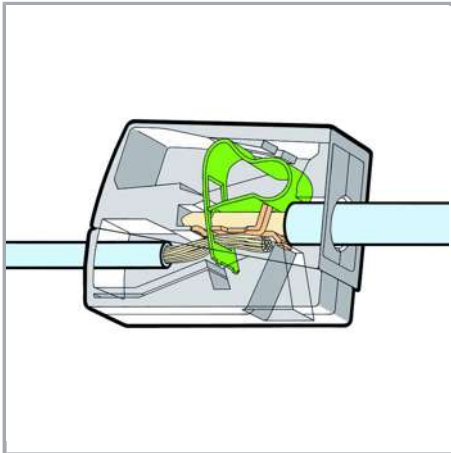
#### Additional Information

Technical explanations	pdf 2.2 MB	Download
------------------------	---------------	----------

## Installation Notes

### Conductor termination

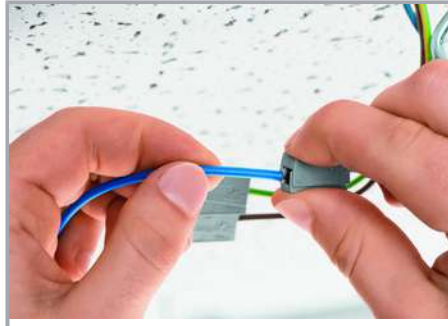
Subject to changes. Please also observe the further product documentation!



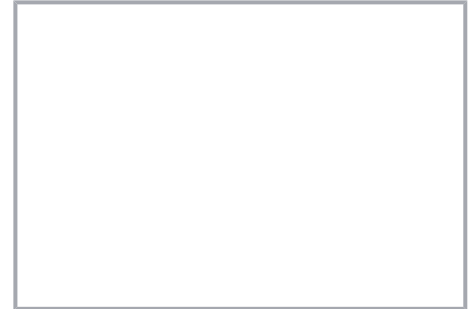
Strip conductor to 9 ... 11 mm (0.35 ... 0.43 inch).

Lighting Connectors (2.5 mm<sup>2</sup>), 224 Series

**Conductor termination**



To connect: Press button fully, insert stripped conductor into square entry and release.



To remove: Press button and withdraw conductor.

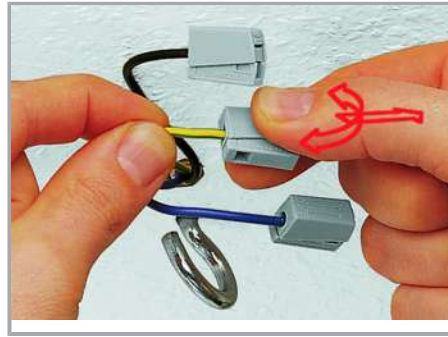
**Conductor termination**



Subject to changes. Please also observe the further product documentation!

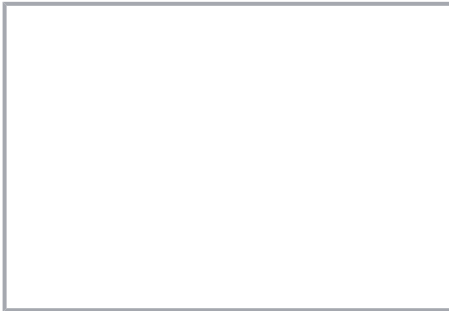


To connect: Insert stripped solid conductor into circular entry and push until it hits the backstop.



To remove: Hold conductor to be removed and twist alternately left and right while slightly pulling the connector.

### Testing



Testing via separate test ports.



Connecting solid conductors with fine-stranded conductors via lighting connectors (224-101).

Subject to changes. Please also observe the further product documentation!