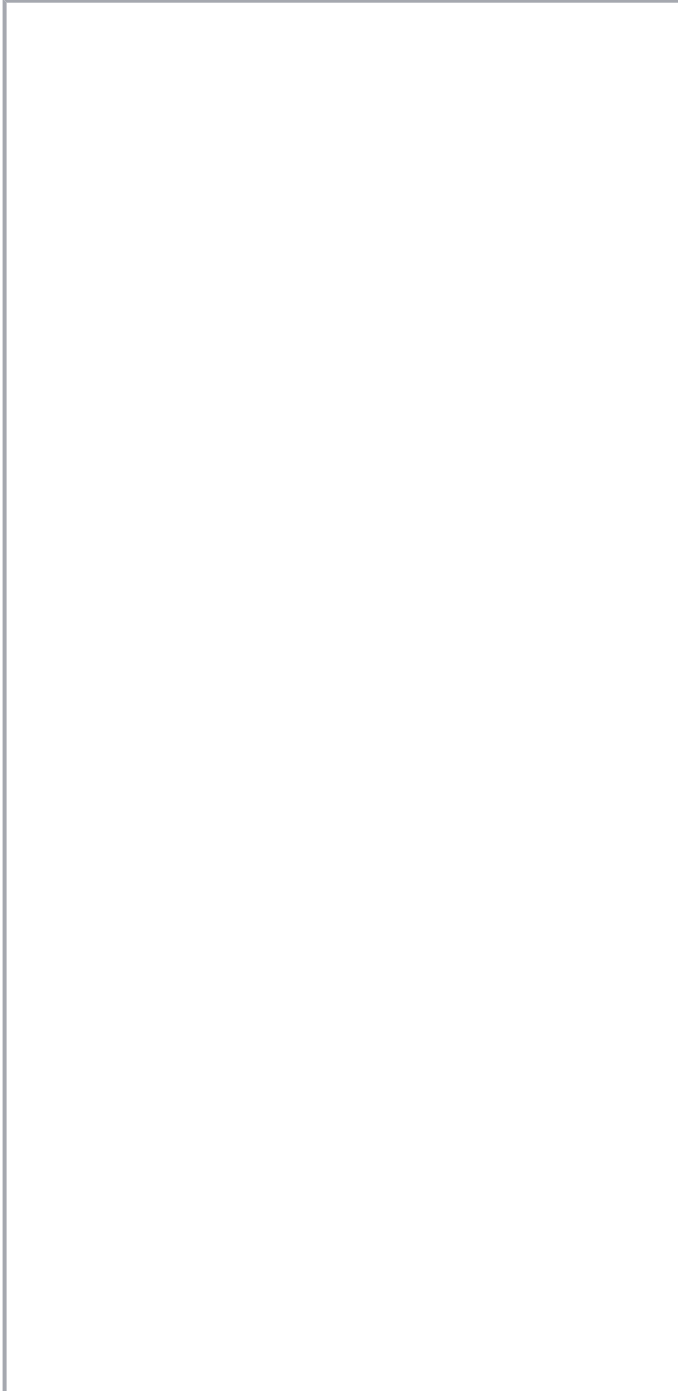


Data sheet | Item number: 283-414

Step-down jumper; insulated; from 16 mm² to 4 mm²; Nominal current 32 A;
gray

www.wago.com/283-414



Subject to changes. Please also observe the further product documentation!

WAGO Kontakttechnik GmbH & Co. KG
Hansastr. 27
32423 Minden
Phone: +49571 887-0 | Fax: +49571 887-169
Email: info.de@wago.com | Web: www.wago.com

Do you have any questions about our products?
We are always happy to take your call at +49 (571) 887-44222.



Subject to changes. Please also observe the further product documentation!



Data

Electrical data

Ratings per IEC/EN 60664-1

Rated current	32 A
---------------	------

Geometrical Data

Width	8 mm / 0.315 inch
Depth	13 mm / 0.512 inch

Material Data

Color	gray
Fire load	0.038 MJ
Weight	4.9 g

Commercial data

Product Group	1 (Rail Mounted Terminal Blocks)
Packaging type	BOX
Country of origin	DE
GTIN	4044918398589
Customs Tariff No.	85366990990

Counterpart

Downloads

Documentation

Bid Text

283-414	Feb 19, 2019	xml	Download
GAEB X81 - Datei		2.6 kB	

Subject to changes. Please also observe the further product documentation!

283-414 doc - Datei	Jun 12, 2017	doc 23.6 kB	Download
------------------------	--------------	----------------	----------

Additional Information Technical explanations	Apr 3, 2019	pdf 2.1 MB	Download
---	-------------	---------------	----------

CAD/CAE-Data

CAD data

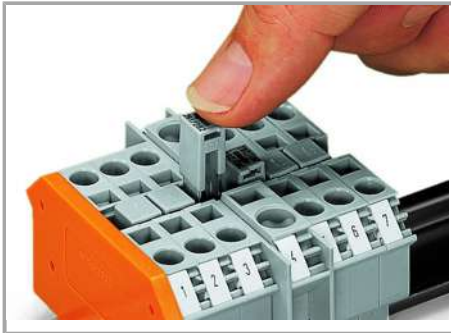
2D/3D Models 283-414	URL	Download
----------------------	-----	----------

CAE data

WSCAD Universe 283-414	URL	Download
------------------------	-----	----------

Installation Notes

Jumpered

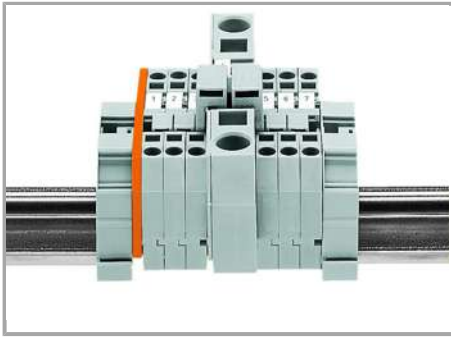


Commoning terminal blocks of different sizes – step down.

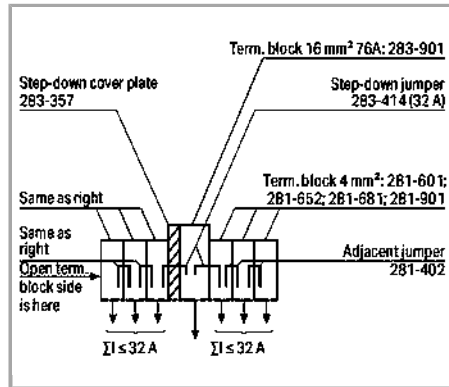
Push down the step-down jumper until fully inserted.

Jumpered

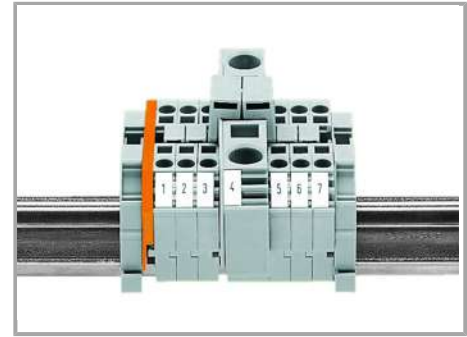
Subject to changes. Please also observe the further product documentation!



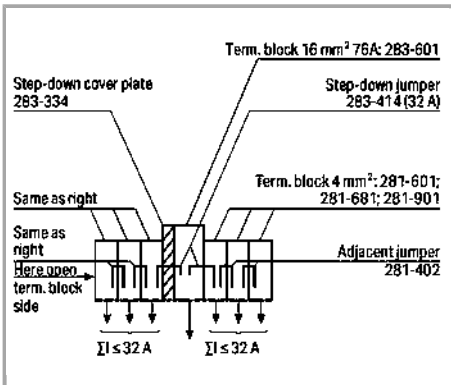
Commoning from 16 mm²/6 AWG (283 Series) to 4 mm²/12 AWG (281 Series) rail-mount terminal blocks via step-down jumpers.



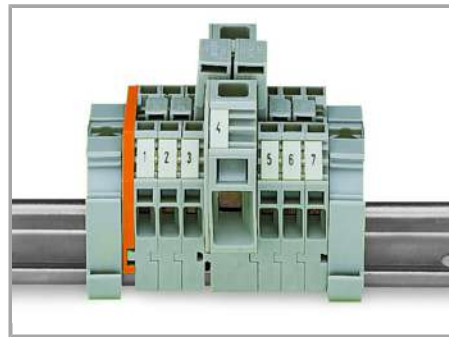
Assembly example: Commoning from 16 mm²/6 AWG to 4 mm²/12 AWG rail-mount terminal blocks via step-down jumper (283-414).



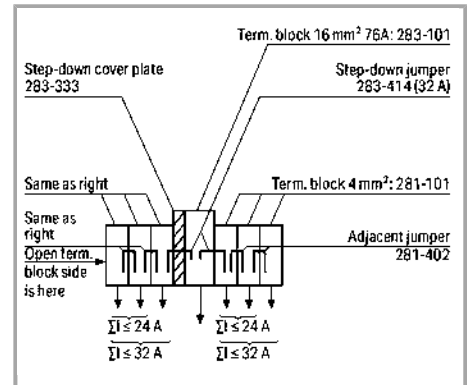
Commoning from 16 mm²/6 AWG (283 Series) to 4 mm²/12 AWG (281 Series) rail-mount terminal blocks via step-down jumpers.



Assembly example: Commoning from 16 mm²/6 AWG to 4 mm²/12 AWG rail-mount terminal blocks via step-down jumper (283-414).



Commoning from 16 mm²/6 AWG (283 Series) to 4 mm²/12 AWG (281 Series) rail-mount terminal blocks via step-down jumpers.

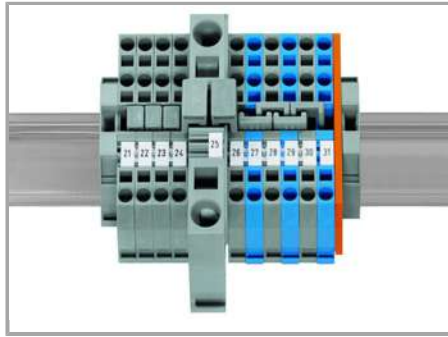


Assembly example: Commoning from 16 mm²/6 AWG to 4 mm²/12 AWG rail-mount terminal blocks via step-down jumper (283-414).

Subject to changes. Please also observe the further product documentation!



Commoning with step-down jumper (283-414) from 285 Series (35 mm²/2 AWG) to 281 Series terminal blocks (4 mm²/12 AWG).



Commoning from 16 mm²/6 AWG (283 Series) to 4 mm²/12 AWG (281 Series) rail-mount terminal blocks via step-down jumpers.



Commoning side-entry rail-mount terminal blocks via step-down jumpers.

Step down jumper down until fully inserted.

Subject to changes. Please also observe the further product documentation!