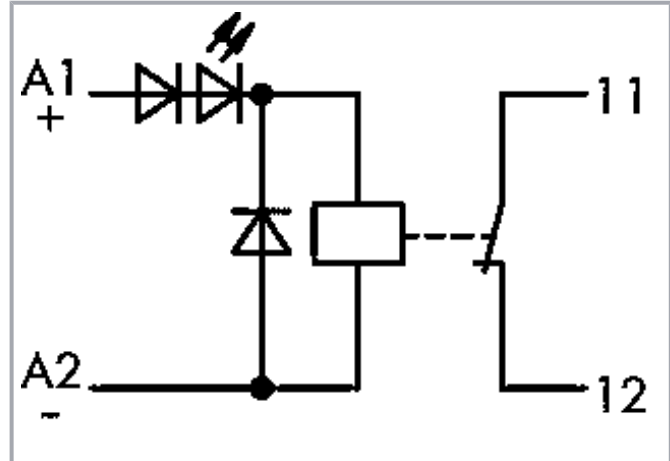


Data sheet | Item number: 286-368/004-000

Relay module; Nominal input voltage: 24 VDC; 1 break contact; Limiting continuous current: 5 A; Railway; Red status indicator; Module width: 10 mm



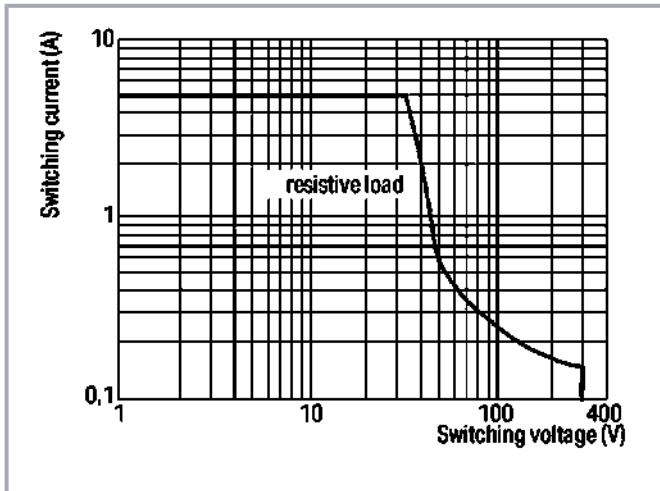
[www.wago.com/286-368\\_004-000](http://www.wago.com/286-368_004-000)



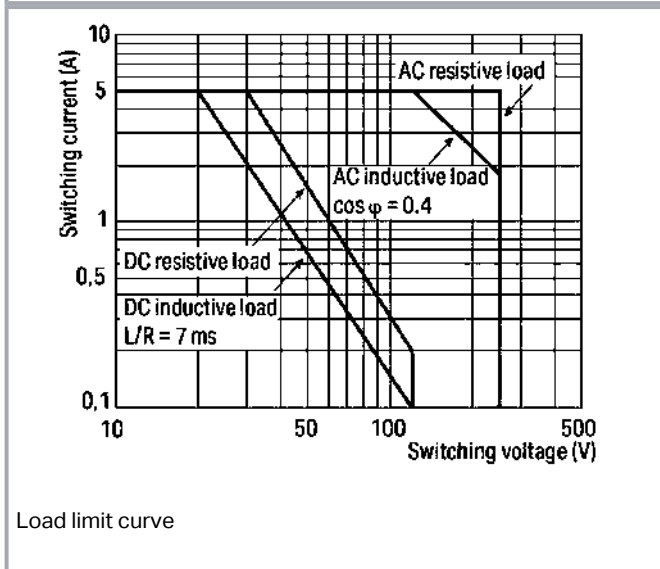
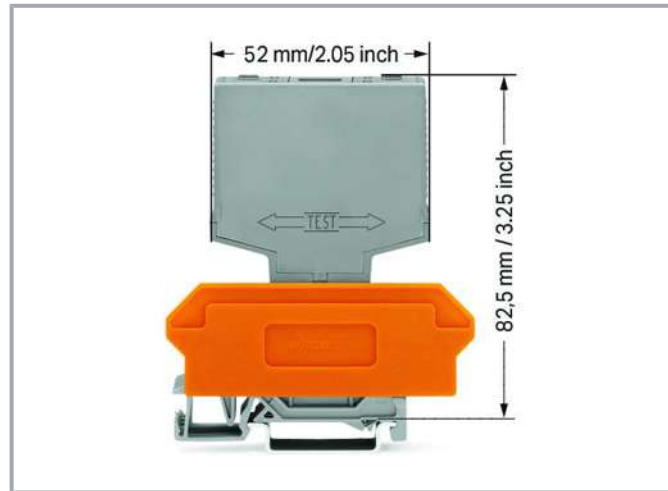
Subject to changes. Please also observe the further product documentation!

WAGO Corporation  
Germantown, WI 53022  
Phone: 1-800-DIN-RAIL (346-7245) | Fax: (262) 255-6222  
Email: [info.us@wago.com](mailto:info.us@wago.com) | Web: [www.wago.us](http://www.wago.us)

Do you have any questions about our products?  
We are always happy to take your call at +49 (571) 887-44222.



Load limit curve



Load limit curve

## Data

### Technical data

### Control circuit

Nominal input voltage $U_N$	DC 24 V
Input voltage range	-30 ... +25 %
Nominal input current at $U_N$	20.4 mA
Nennfrequenzbereich	(5030514)

Subject to changes. Please also observe the further product documentation!

WAGO Corporation  
 Germantown, WI 53022  
 Phone: 1-800-DIN-RAIL (346-7245) | Fax: (262) 255-6222  
 Email: [info.us@wago.com](mailto:info.us@wago.com) | Web: [www.wago.us](http://www.wago.us)

Do you have any questions about our products?  
 We are always happy to take your call at +49 (571) 887-44222.



## Load circuit

Number of break/switch-off contacts	1
Contact material (relay)	AgNi
Limiting continuous current	5 A
Switching voltage (max.)	AC 250 V
Switching power (resistive) (max.)	AC 1250 VA
Pull-in time (typ.)	10 ms
Drop-out time (typ.)	4 ms
Bounce time (typ.)	3 ms
Nennfrequenzbereich	(5030623)

## Signaling

Status indicator	Red LED
------------------	---------

## Safety and protection

Rated voltage	300 V
Overvoltage category	II
Pollution degree	2
Dielectric strength, control/load circuit (AC, 1 min)	3 kVrms
Insulation type (control/load circuit)	Reinforced insulation (safe isolation)
Insulation type (open contact)	Functional insulation
Insulation type (adjacent devices)	Reinforced insulation (safe isolation)
Protection type	IP20

## Physical data

Width	10 mm / 0.394 inch
Height from upper-edge of DIN-rail	82.5 mm / 3.248 inch
Depth	52 mm / 2.047 inch

## Mechanical data

Mounting type	Pluggable module for receptacle terminal blocks
---------------	-------------------------------------------------

## Material data

Fire load	0.381 MJ
Weight	19.3 g

Subject to changes. Please also observe the further product documentation!

## Environmental requirements

Surrounding air temperature (operation at $U_N$ )	-25 ... 70 °C
Surrounding air temperature (storage)	-25 ... 70 °C
Processing temperature	-25 ... +50 °C
Relative humidity	5 ... 85 % (no condensation permissible)
Operating altitude (max.)	2000 m

## Standards and specifications

Standards/Specifications	EN 61010-2-201
--------------------------	----------------

## Commercial data

Product Group	6 (Interface Electronics)
PU (SPU)	25 (1) Stück
Packaging type	box
Country of origin	DE
GTIN	4045454520717
Customs tariff number	85364900990

## Optional accessories

### Clamps

Terminal block for pluggable modules



**Item no.: 280-608**

Terminal block for pluggable modules; 4-pole; with 4-conductor terminal blocks; with orange separator; [www.wago.com/280-608](http://www.wago.com/280-608) for DIN-rail 35 x 15 and 35 x 7.5; 2.5 mm<sup>2</sup>; CAGE CLAMP®; 2,50 mm<sup>2</sup>; gray



**Item no.: 280-618**

Terminal block for pluggable modules; 4-pole; with 2-conductor terminal blocks; with orange separator; [www.wago.com/280-618](http://www.wago.com/280-618) for DIN-rail 35 x 15 and 35 x 7.5; 2.5 mm<sup>2</sup>; CAGE CLAMP®; 2,50 mm<sup>2</sup>; gray



**Item no.: 280-762**

Terminal block for pluggable modules; 4-pole; with 4-conductor terminal blocks; with marker carrier; [www.wago.com/280-762](http://www.wago.com/280-762) with orange separator; for DIN-rail 35 x 15 and 35 x 7.5; 2.5 mm<sup>2</sup>; CAGE CLAMP®; 2,50 mm<sup>2</sup>; gray

### Marking accessories

Marker



**Item no.: 209-701**

WSB marking card; as card; not stretchable; plain; snap-on type; white

[www.wago.com/209-701](http://www.wago.com/209-701)

Subject to changes. Please also observe the further product documentation!

## Downloads

### Documentation

#### Instruction Leaflet

pdf  
1.3 MB

Download

### Additional Information

Disposal; Electrical and electronic equipment, Packaging

V 1.0.0

pdf  
265.8 kB

Download

## Environmental Product Compliance

### Compliance Search

Environmental Product Compliance 286-368/004-000

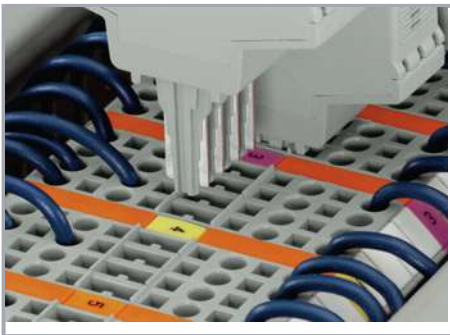
URL

Download

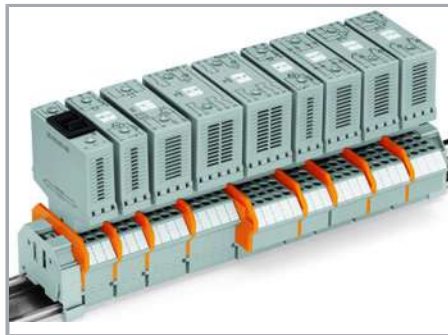
Relay module; Nominal input voltage: 24 VDC; 1 break contact; Limiting continuous current: 5 A; Railway; Red status indicator; Module width: 10 mm

## Installation Notes

### Assembly



Coding ensures correct polarity.



Pluggable electronic modules on 2- or 4-conductor carrier terminal blocks

### Marking

Subject to changes. Please also observe the further product documentation!

WAGO Corporation  
Germantown, WI 53022  
Phone: 1-800-DIN-RAIL (346-7245) | Fax: (262) 255-6222  
Email: [info.us@wago.com](mailto:info.us@wago.com) | Web: [www.wago.us](http://www.wago.us)

Do you have any questions about our products?  
We are always happy to take your call at +49 (571) 887-44222.



Marking via WMB Multi Marking System.

### Testing



Function testing via touch-proof test slots

Subject to changes. Please also observe the further product documentation!