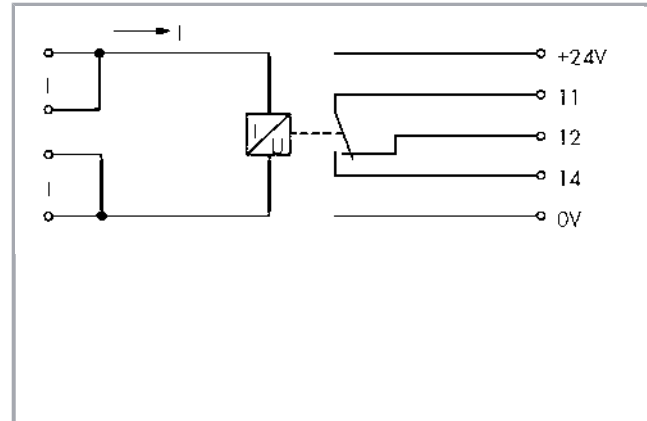


Data sheet | Item number: 286-664

Current flow monitoring module; AC currents; Monitoring range: 1 A – 10 A; 1 changeover contact; light gray



www.wago.com/286-664



RoHS Compliant

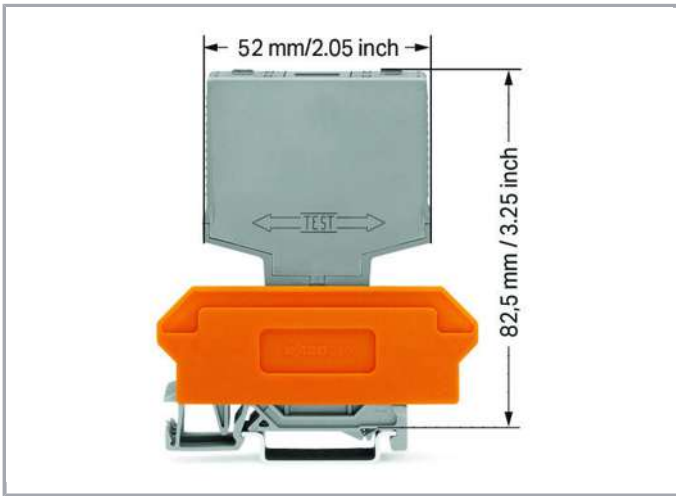
[BOMcheck.net](https://www.bomcheck.net)

Color:

Subject to changes. Please also observe the further product documentation!

WAGO Kontakttechnik GmbH & Co. KG
Hansastr. 27
32423 Minden
Phone: +49571 887-0 | Fax: +49571 887-169
Email: info.de@wago.com | Web: www.wago.com

Do you have any questions about our products?
We are always happy to take your call at +49 (571) 887-44222.



Data

Electrical data

Nominal operating voltage	DC 24 V
Current consumption at supply voltage	≤ 17 mA
Voltage drop at input	44 ... 430 mV
Max. measuring span	0.2 ... 3 AAC
Min. switching threshold (adjustable)	0.2 A
Response time	300 ms
Number of changeover/switchover contacts	1
Number of break contacts/switch off contacts	1
Limiting continuous current	5 A
Max. switching voltage	AC 250 V
Max. switching power (resistive)	AC 1250 VA
Status indication	Red LED; Energized relay (current < switching threshold)

Safety and protection:

Rated voltage	250 V
Rated impulse voltage	4 kV
Pollution degree	2
Dielectric strength input/output (AC, 1 min)	1.5

Geometrical Data

Height from upper-edge of DIN-35 rail	82,5 mm / 3.25 inch
Depth	52 mm / 2.047 inch

Subject to changes. Please also observe the further product documentation!

WAGO Kontakttechnik GmbH & Co. KG
 Hansastr. 27
 32423 Minden
 Phone: +49571 887-0 | Fax: +49571 887-169
 Email: info.de@wago.com | Web: www.wago.com

Do you have any questions about our products?
 We are always happy to take your call at +49 (571) 887-44222.

Mechanical data

Type of mounting	Pluggable module for receptacle terminal blocks
Housing design	Plug for carrier terminal blocks

Material Data

Color	light gray
Weight	58 g

Environmental Requirements

Surrounding air (operating) temperature	-25 ... 40 °C
Surrounding air (storage) temperature	-40 ... 70 °C





Commercial data

Product Group	6 (Interface Electronics)
Packaging type	BOX
Country of origin	DE
GTIN	4050821654407
Customs Tariff No.	85364900990

Counterpart

Compatible products

Marking accessories

	Item no.: 209-701 WSB marking card; as card; not stretchable; plain; snap-on type; white	www.wago.com/209-701
	Item no.: 209-701/000-002 WSB marking card; as card; not stretchable; plain; snap-on type; yellow	www.wago.com/209-701/000-002
	Item no.: 209-701/000-005 WSB marking card; as card; not stretchable; plain; snap-on type; red	www.wago.com/209-701/000-005
	Item no.: 209-701/000-006 WSB marking card; as card; not stretchable; plain; snap-on type; blue	www.wago.com/209-701/000-006

Subject to changes. Please also observe the further product documentation!



Item no.: 209-701/000-007
WSB marking card; as card; not stretchable; plain; snap-on type; gray

www.wago.com/209-701/000-007



Item no.: 209-701/000-012
WSB marking card; as card; not stretchable; plain; snap-on type; orange

www.wago.com/209-701/000-012



Item no.: 209-701/000-017
WSB marking card; as card; not stretchable; plain; snap-on type; light green

www.wago.com/209-701/000-017



Item no.: 209-701/000-023
WSB marking card; as card; not stretchable; plain; snap-on type; green

www.wago.com/209-701/000-023



Item no.: 209-701/000-024
WSB marking card; as card; not stretchable; plain; snap-on type; violet

www.wago.com/209-701/000-024

Downloads

Documentation

Bid Text

286-664 X81 - Datei	Feb 19, 2019	xml 3.8 kB	Download
------------------------	--------------	---------------	----------

286-664 doc - Datei	Apr 2, 2015	doc 25.6 kB	Download
------------------------	-------------	----------------	----------

Instruction Leaflet

		pdf 1.3 MB	Download
--	--	---------------	----------

Additional Information

Disposal; Electrical and electronic equipment, Packaging	V 1.0.0	pdf 265.8 kB	Download
--	---------	-----------------	----------

CAD/CAE-Data

CAD data

2D/3D Models 286-664		URL	Download
----------------------	--	-----	----------

CAE data

Subject to changes. Please also observe the further product documentation!



Installation Notes

Subject to changes. Please also observe the further product documentation!

WAGO Kontakttechnik GmbH & Co. KG
Hansastr. 27
32423 Minden
Phone: +49571 887-0 | Fax: +49571 887-169
Email: info.de@wago.com | Web: www.wago.com

Do you have any questions about our products?
We are always happy to take your call at +49 (571) 887-44222.