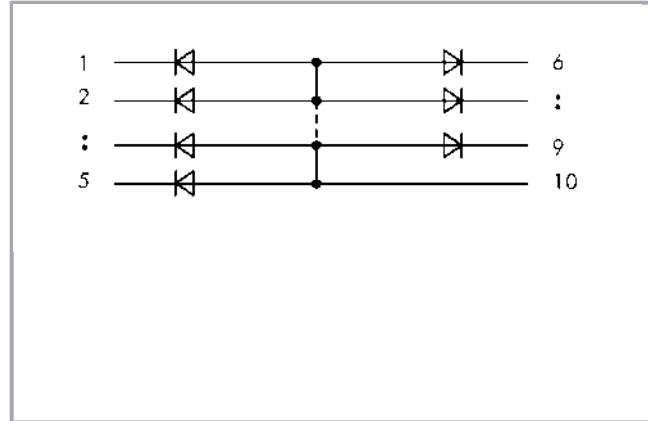


Data sheet | Item number: 286-805  
Component module with diode; light gray

[www.wago.com/286-805](http://www.wago.com/286-805)



RoHS  Compliant

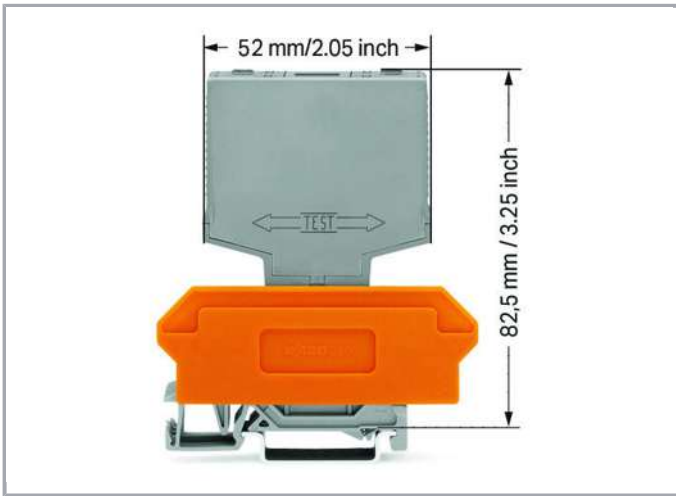
[BOMcheck.net](https://www.bomcheck.net)

Color:

Subject to changes. Please also observe the further product documentation!

WAGO Kontakttechnik GmbH & Co. KG  
Hansastr. 27  
32423 Minden  
Phone: +49571 887-0 | Fax: +49571 887-169  
Email: [info.de@wago.com](mailto:info.de@wago.com) | Web: [www.wago.com](http://www.wago.com)

Do you have any questions about our products?  
We are always happy to take your call at +49 (571) 887-44222.



### Item description

**Note:**

\*Max. admissible current per the manufacturer's data sheet. With all diodes loaded, the continuous current must be reduced.

### Data

#### Electrical data

Operating voltage	≤ AC/DC 250 V
Current consumption at supply voltage	0
Peak reverse voltage	1000 V
Rectified current for each diode, resistive	1 A
Rectified current for each diode	1 A

#### Safety and protection:

Rated voltage	250 V
Rated impulse voltage	4 kV
Pollution degree	2

#### Geometrical Data

Width	15 mm / 0.591 inch
Height from upper-edge of DIN-35 rail	82.5 mm / 3.25 inch
Depth	52 mm / 2.047 inch

Subject to changes. Please also observe the further product documentation!

## Mechanical data

Type of mounting	Pluggable module for carrier terminal blocks
Housing design	Pluggable module for terminal blocks

## Material Data

Color	light gray
Fire load	0.429 MJ
Weight	18.7 g

## Environmental Requirements

Surrounding air (operating) temperature	-25 ... 40 °C
---	---------------




## Commercial data

Product Group	6 (Interface Electronics)
Packaging type	BOX
Country of origin	DE
GTIN	4045454198060
Customs Tariff No.	85369010000


## Counterpart

## Compatible products

### General accessories

	<b>Item no.: 280-609</b> Terminal block for pluggable modules; 6-pole; with 4-conductor terminal blocks; with orange separator; <a href="http://www.wago.com/280-609">www.wago.com/280-609</a> for DIN-rail 35 x 15 and 35 x 7.5; 2.5 mm <sup>2</sup> ; CAGE CLAMP®; 2,50 mm <sup>2</sup> ; gray
	<b>Item no.: 280-619</b> Terminal block for pluggable modules; 6-pole; with 2-conductor terminal blocks; with orange separator; <a href="http://www.wago.com/280-619">www.wago.com/280-619</a> for DIN-rail 35 x 15 and 35 x 7.5; 2.5 mm <sup>2</sup> ; CAGE CLAMP®; 2,50 mm <sup>2</sup> ; gray
	<b>Item no.: 280-763</b> Terminal block for pluggable modules; 6-pole; with 4-conductor terminal blocks; with marker carrier; <a href="http://www.wago.com/280-763">www.wago.com/280-763</a> with orange separator; for DIN-rail 35 x 15 and 35 x 7.5; 2.5 mm <sup>2</sup> ; CAGE CLAMP®; 2,50 mm <sup>2</sup> ; gray

### Marking accessories

	<b>Item no.: 209-701</b> WSB marking card; as card; not stretchable; plain; snap-on type; white <a href="http://www.wago.com/209-701">www.wago.com/209-701</a>
--	--

Subject to changes. Please also observe the further product documentation!



**Item no.: 209-701/000-002**  
WSB marking card; as card; not stretchable; plain; snap-on type; yellow

[www.wago.com/209-701/000-002](http://www.wago.com/209-701/000-002)



**Item no.: 209-701/000-005**  
WSB marking card; as card; not stretchable; plain; snap-on type; red

[www.wago.com/209-701/000-005](http://www.wago.com/209-701/000-005)



**Item no.: 209-701/000-006**  
WSB marking card; as card; not stretchable; plain; snap-on type; blue

[www.wago.com/209-701/000-006](http://www.wago.com/209-701/000-006)



**Item no.: 209-701/000-007**  
WSB marking card; as card; not stretchable; plain; snap-on type; gray

[www.wago.com/209-701/000-007](http://www.wago.com/209-701/000-007)



**Item no.: 209-701/000-012**  
WSB marking card; as card; not stretchable; plain; snap-on type; orange

[www.wago.com/209-701/000-012](http://www.wago.com/209-701/000-012)



**Item no.: 209-701/000-017**  
WSB marking card; as card; not stretchable; plain; snap-on type; light green

[www.wago.com/209-701/000-017](http://www.wago.com/209-701/000-017)



**Item no.: 209-701/000-023**  
WSB marking card; as card; not stretchable; plain; snap-on type; green

[www.wago.com/209-701/000-023](http://www.wago.com/209-701/000-023)



**Item no.: 209-701/000-024**  
WSB marking card; as card; not stretchable; plain; snap-on type; violet

[www.wago.com/209-701/000-024](http://www.wago.com/209-701/000-024)

## Downloads

### Documentation

#### Bid Text

286-805 GAEB X81 - Datei	Feb 20, 2019	xml 4.0 kB	Download
286-805 GAEB docx - Datei	Feb 20, 2019	docx 15.5 kB	Download

#### Instruction Leaflet

pdf  
1.3 MB  
Download

### Additional Information

Disposal; Electrical and electronic equipment, Packaging  
Subject to changes. Please also observe the further product documentation!

WAGO Kontakttechnik GmbH & Co. KG  
Hansastr. 27  
32423 Minden  
Phone: +49571 887-0 | Fax: +49571 887-169  
Email: [info.de@wago.com](mailto:info.de@wago.com) | Web: [www.wago.com](http://www.wago.com)

Do you have any questions about our products?  
We are always happy to take your call at +49 (571) 887-44222.



V 1.0.0

pdf  
265.8 kB

Download

---

## CAD/CAE-Data

### CAE data

WSCAD Universe 286-805

URL

Download

---

## Installation Notes

Subject to changes. Please also observe the further product documentation!

---