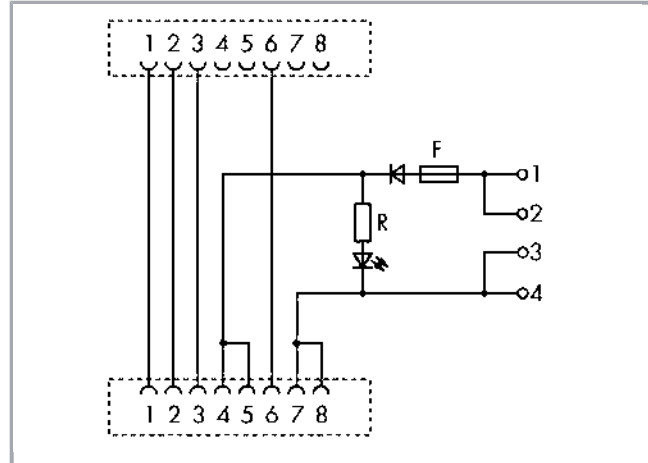
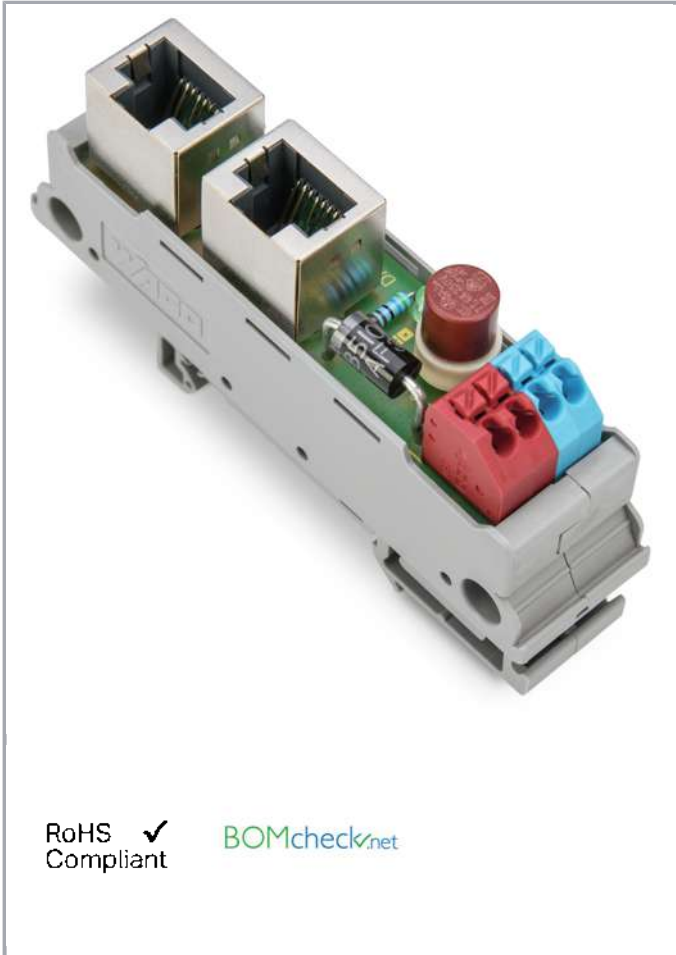


Data sheet | Item number: 289-196

Interface module; RJ-45; with power jumper contacts; PCB terminal blocks;

Cat. 5

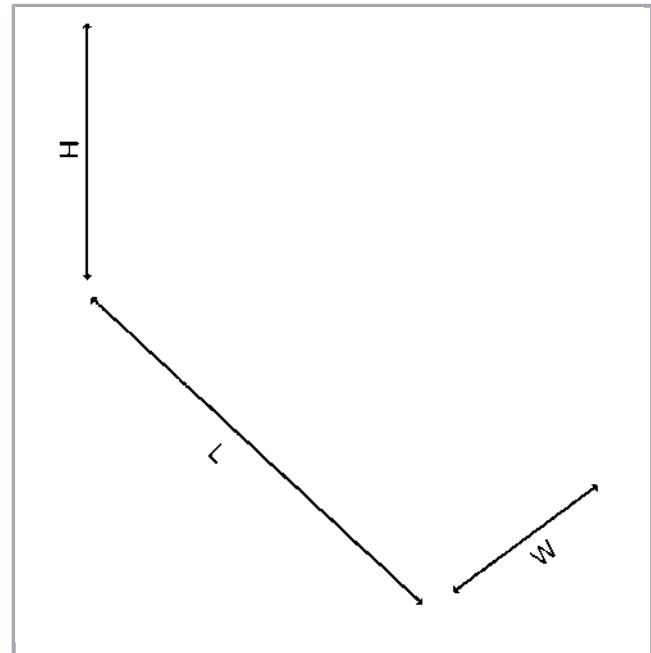
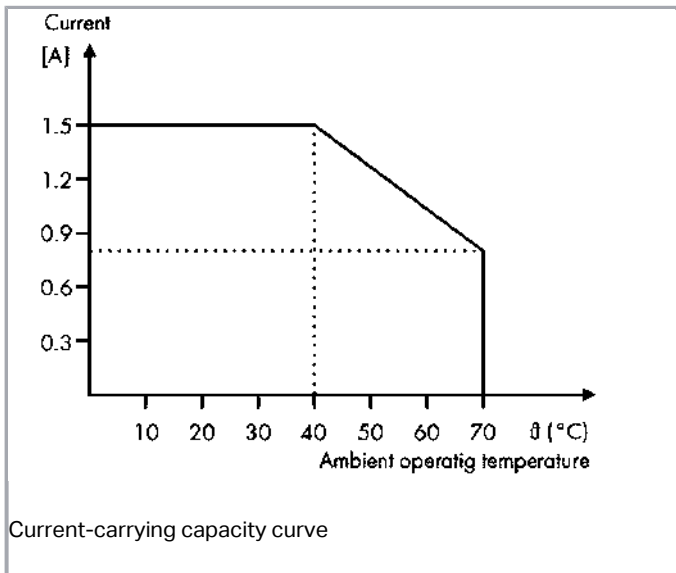
[www.wago.com/289-196](http://www.wago.com/289-196)



Subject to changes. Please also observe the further product documentation!

WAGO Kontakttechnik GmbH & Co. KG  
Hansastr. 27  
32423 Minden  
Phone: +49571 887-0 | Fax: +49571 887-169  
Email: [info.de@wago.com](mailto:info.de@wago.com) | Web: [www.wago.com](http://www.wago.com)

Do you have any questions about our products?  
We are always happy to take your call at +49 (571) 887-44222.



## Item description

### Features:

- Interface module with RJ-45 connector for ETHERNET
- Passive PoE-injector
- For up to 100 Mbit/s, Cat. 5
- Cabinet wiring with preassembled RJ-45-patch cables

## Data

### Electrical Data

Operating voltage	≤ DC 48 V
Nominal current	1.5 A
Insulation resistance	≥ 500 MΩ
Specialty functions	Passive PoE-injector With LED, fuse

### Safety and protection:

Dielectric strength contact-contact (AC, 1 min)	1
---	---

Subject to changes. Please also observe the further product documentation!



## Connection data

Connection type (1)	System
No. of poles	8
Pluggable connector	RJ-45 shielded
Connection type (2)	System
No. of poles 2	8
Pluggable connector 2	RJ-45 shielded
Connection type (3)	Supply
No. of poles 3	4
Connection technology 3	Push-in CAGE CLAMP®
WAGO terminal 3	WAGO 250 Series
Solid conductor (3)	0.2 ... 1.5 mm <sup>2</sup> / 24 ... 16 AWG
Fine-stranded conductor (3)	0.2 ... 1.5 mm <sup>2</sup> / 24 ... 16 AWG
Strip length (3)	8.5 ... 9.5 mm / 0.33 ... 0.37 inch
Mating cycles	500
Max. transmission length	100 m
Connecting cable	min. Cat. 5

## Geometrical Data

Width	20.5 mm / 0.807 inch
Height from upper-edge of DIN-35 rail	51 mm / 2.007 inch
Depth	85 mm / 3.346 inch

## Mechanical data

Type of mounting	DIN-35 rail
Housing design	Mounting carrier

## Material Data

Fire load	0.482 MJ
Weight	32 g

## Environmental Requirements

Surrounding air (operating) temperature	0 ... 70 °C
Surrounding air (storage) temperature	-40 ... 85 °C
Relative humidity	≤ 85% (non condensing)

Subject to changes. Please also observe the further product documentation!



## Commercial data

Packaging type	BOX
Country of origin	DE
GTIN	4055143572637
Customs Tariff No.	85423990000

## Counterpart

### Downloads

#### Documentation

##### Instruction Leaflet

pdf  
1.3 MB

Download

#### Additional Information

Disposal; Electrical and electronic equipment, Packaging V 1.0.0 pdf  
265.8 kB

Download

## Installation Notes

Subject to changes. Please also observe the further product documentation!

WAGO Kontakttechnik GmbH & Co. KG  
Hansastr. 27  
32423 Minden  
Phone: +49571 887-0 | Fax: +49571 887-169  
Email: [info.de@wago.com](mailto:info.de@wago.com) | Web: [www.wago.com](http://www.wago.com)

Do you have any questions about our products?  
We are always happy to take your call at +49 (571) 887-44222.