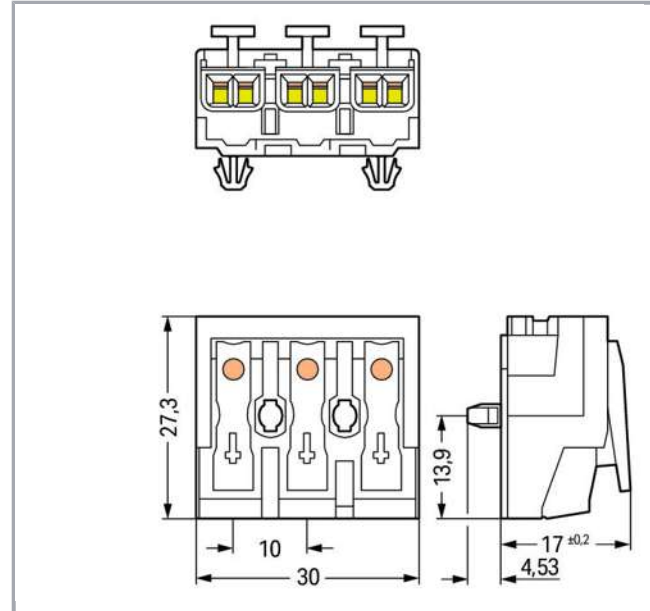
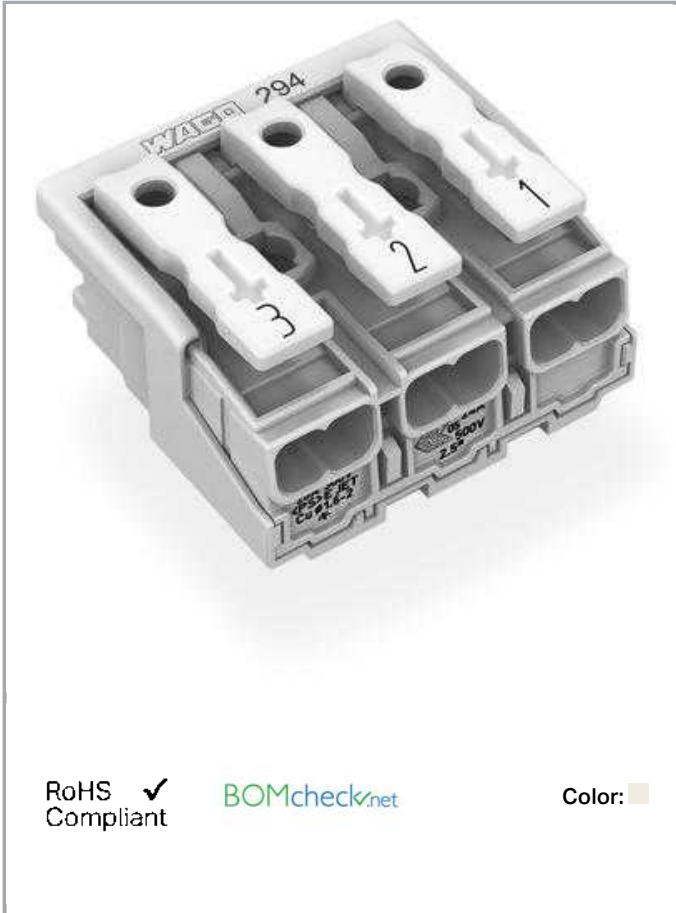


Data sheet | Item number: 294-5043

Lighting connector; push-button, external; without ground contact; 3-pole;
Lighting side: for solid conductors; Inst. side: for all conductor types; max.
2.5 mm²; Surrounding air temperature: max 85°C (T85); 2,50 mm²; white

www.wago.com/294-5043



RoHS
Compliant

[BOMcheck.net](https://www.bomcheck.net)

Color:

Item description

- External connection of solid, stranded and fine-stranded conductors
- Universal conductor termination (AWG, metric)
- Third contact at bottom
- Strain relief plate can be retrofitted

Data

Electrical data

Subject to changes. Please also observe the further product documentation!

WAGO Kontakttechnik GmbH & Co. KG
Hansastr. 27
32423 Minden
Phone: +49571 887-0 | Fax: +49571 887-169
Email: info.de@wago.com | Web: www.wago.com

Do you have any questions about our products?
We are always happy to take your call at +49 (571) 887-44222.

Ratings per IEC/EN 60664-1

| | |
|----------------------------------|---|
| Ratings per | IEC/EN 60998-1 |
| Ratings note | Connection points |
| Rated voltage (II / 2) | 500 V |
| Rated impulse voltage (II / 2) | 4 kV |
| Rated current | 24 A |
| Ratings according to 2 | IEC/EN 60998-2-2 |
| Ratings note 2 | Connection points |
| Rated voltage (II / 2) 2 | 500 V |
| Rated impulse voltage (II / 2) 2 | 4 kV |
| Rated current (2) | 24 A |
| Rated current (3) | 16 A |
| Legend (ratings) | (II / 2) ≙ Overvoltage category II / Pollution degree 2 |

Connection data

| | |
|---|---|
| Connection type (1) | External 1 |
| Connection technology | Push-in CAGE CLAMP® |
| Number of connection points (connection type) | 2 |
| Actuation type | Operating tool Push-button |
| Connectable conductor materials | Copper |
| Solid conductor | 0,5 ... 2,5 mm ² / 18 ... 12 AWG |
| Solid conductor, push-in termination | 0,5 ... 2,5 mm ² / 18 ... 12 AWG |
| Stranded conductor | 0,5 ... 2,5 mm ² / 18 ... 14 AWG |
| Fine-stranded conductor | 0,5 ... 2,5 mm ² / 18 ... 14 AWG |
| Fine-stranded conductor with ferrule with plastic collar | 0,5 ... 1,5 mm ² / 18 ... 16 AWG |
| Fine-stranded conductor with ferrule without plastic collar | 0,5 ... 1,5 mm ² / 18 ... 16 AWG |
| Fine-stranded conductor with ferrule, push-in termination, from | 0,5 mm ² / 18 AWG |
| Strip length | 8 ... 9 mm / 0.31 ... 0.35 inch |
| No. of poles | 3 |
| Connection type (2) | Internal 2 |
| Connection technology 2 | PUSH WIRE® |
| Number of connection points | 1 |
| Solid conductor (2) | 0,5 ... 2,5 mm ² / 18 ... 14 AWG |
| Fine-stranded conductor with insulated ferrule (2) | 0,5 ... 1 mm ² / 18 ... 16 AWG |
| Fine-stranded conductor with uninsulated ferrule (2) | 0,5 ... 1,5 mm ² / 18 ... 14 AWG |
| Strip length (2) | 8 ... 9 mm / 0.31 ... 0.35 inch |

Subject to changes. Please also observe the further product documentation!



| | |
|--|--|
| Connection type (3) | Internal 3 |
| Number of connection points | 1 |
| Solid conductor (3) | 0,5 ... 1,5 mm ² / 18 ... 16 AWG |
| Fine-stranded conductor with insulated ferrule (3) | 0,5 ... 0,75 mm ² / 18 AWG 0,5 ... 0,75mm ² / 18 AWG |
| Fine-stranded conductor with uninsulated ferrule (3) | 0,5 ... 1 mm ² / 18 AWG |
| Connection type (4) | Internal 4 |
| Number of connection points | 1 |
| Solid conductor (4) | 0,5 ... 0,75 mm ² / 18 AWG |
| Total number of connection points | 15 |
| Total number of potentials | 3 |
| Number of connection types | 4 |
| Type of wiring | Side-entry wiring |

Geometrical Data

| | |
|-------------------------|----------------------|
| Pin spacing | 10 mm / 0.394 inch |
| Width | 30 mm / 1.181 inch |
| Height from the surface | 17 mm / 0.669 inch |
| Depth | 27,3 mm / 1.075 inch |

Mechanical data

| | |
|---------------|-----------------------|
| Mounting type | Snap-in mounting foot |
| Marking | 3-2-1 |

Material Data

| | |
|-----------------------------|--|
| Color | white |
| Material group | III a |
| Insulating material | Polycarbonate (PC) |
| Flammability class per UL94 | V0 |
| Clamping spring material | Chrome nickel spring steel (CrNi) |
| Contact material | Electrolytic copper (E _{Cu}) |
| Contact plating | tin-plated |
| Fire load | 0.183 MJ |
| Weight | 9.2 g |

Environmental Requirements

| | |
|-----------------------|--------|
| Temperature stability | 120 °C |
|-----------------------|--------|

Subject to changes. Please also observe the further product documentation!

T-Kennzeichnung


T85

Commercial data

| | |
|--------------------|--------------------------------|
| Product Group | 8 (Misc. Chassis Mount Blocks) |
| Packaging type | lamination |
| Country of origin | CH |
| GTIN | 4050821098256 |
| Customs Tariff No. | 85369010000 |

Approvals / Certificates





Country specific Approvals

| Logo | Approval | Additional Approval Text | Certificate name |
|--|-------------------------------------|--------------------------|------------------|
|  | ENEC 05 DEKRA Certification B.V. | EN 60998 | 2128791.01 |



Counterpart

Compatible products

Strain relief plate

| | | |
|--|--|--|
|  | Item no.: 294-364 Strain relief plate; for 294 Series; for multicore cables; 3- to 5-pole; with secured clamp; white | www.wago.com/294-364 |
|  | Item no.: 294-370 Strain relief; for 294 Series; with snap-in mounting feet; white | www.wago.com/294-370 |
|  | Item no.: 294-375 Strain relief; for 294 Series; without snap-in mounting feet; white | www.wago.com/294-375 |
|  | Item no.: 294-384 Strain relief plate; for 294 Series; for single strands; 3- to 5-pole; with secured clamp; white | www.wago.com/294-384 |

tools

| | | |
|--|---|--|
|  | Item no.: 206-294 Disconnection tool | www.wago.com/206-294 |
|  | Item no.: 294-199 Operating tool; for pressing the snap-in mounting feet into the mounting plate; For fitting ground contacts; for 294 Series | www.wago.com/294-199 |

Subject to changes. Please also observe the further product documentation!

WAGO Kontakttechnik GmbH & Co. KG

Hansastr. 27

32423 Minden

Phone: +49571 887-0 | Fax: +49571 887-169

Email: info.de@wago.com | Web: www.wago.com

Do you have any questions about our products?

We are always happy to take your call at +49 (571) 887-44222.

Downloads

Documentation

Bid Text

| | | | |
|-------------------------|--------------|----------------|----------|
| 294-5043 doc - Datei | Jun 13, 2017 | doc 27.6 kB | Download |
|-------------------------|--------------|----------------|----------|

| | | | |
|------------------------------|--------------|---------------|----------|
| 294-5043 GAEB X81 - Datei | Feb 19, 2019 | xml 5.7 kB | Download |
|------------------------------|--------------|---------------|----------|

Additional Information

| | | | |
|------------------------|-------------|---------------|----------|
| Technical explanations | Apr 3, 2019 | pdf 2.1 MB | Download |
|------------------------|-------------|---------------|----------|

CAD/CAE-Data

CAD data

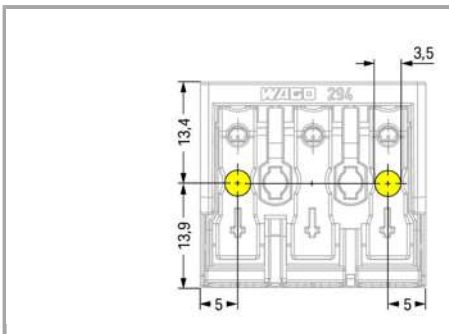
| | | |
|-----------------------|-----|----------|
| 2D/3D Models 294-5043 | URL | Download |
|-----------------------|-----|----------|

CAE data

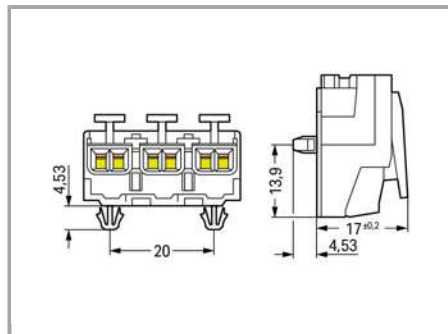
| | | |
|-------------------------|-----|----------|
| WSCAD Universe 294-5043 | URL | Download |
|-------------------------|-----|----------|

Installation Notes

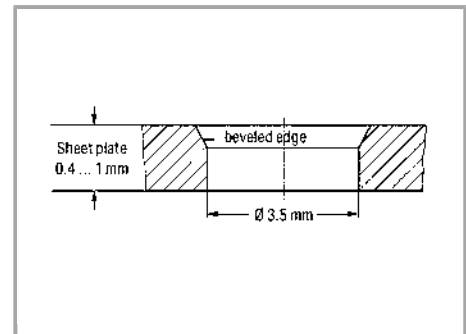
Installation



3-pole – with direct ground contact

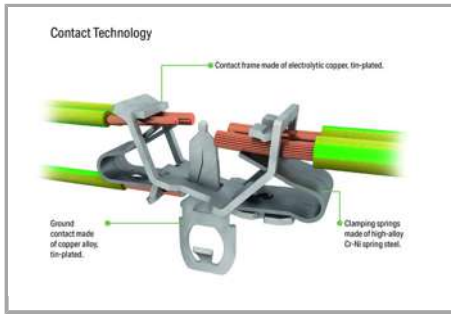


Snap-in mounting foot



Drilled hole for snap-in mounting foot

Subject to changes. Please also observe the further product documentation!



| EUROPE |
|--------------------------------------|
| 1 x 0.5 ... 2.5 mm ² "s" |
| 1 x 0.5 ... 1.5 mm ² "s" |
| 1 x 0.5 ... 0.75 mm ² "s" |
| AMERICA |
| 1 x AWG 18 ... 14 "s" |
| 1 x AWG 18 ... 16 "s" |
| 1 x AWG 18 "s" |
| JAPAN |
| 1 x 0.8 ... 1.6 mm diam. "s" |
| 1 x 0.8 ... 1 mm diam. "s" |
| 1 x 0.8 mm diam. "s" |

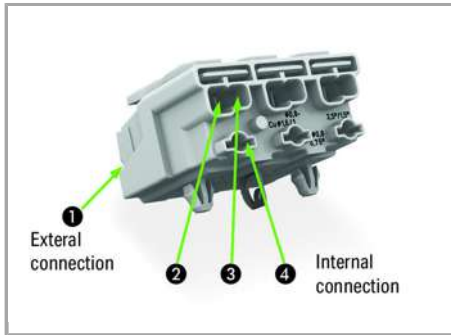
| EUROPE |
|---|
| 2 x 0.5 ... 2.5 mm ² "s, str, f-str" |
| |
| |
| AMERICA |
| 2 x AWG 18 ... 12 "s" |
| 2 x AWG 18 ... 14 "s, f-str" |
| |
| JAPAN |
| 2 x 0.8 ... 2 mm diam. "s" |
| 2 x 0.5 ... 2 mm ² "str, f-str" |
| |

Internal connection:

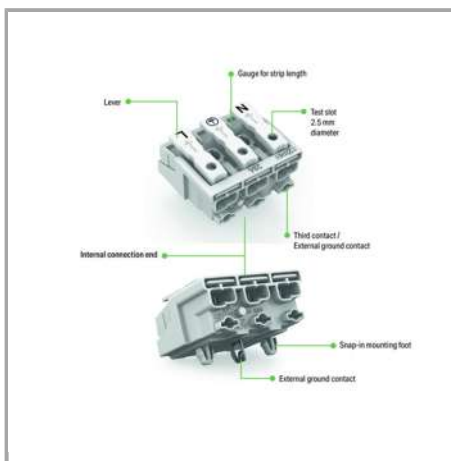
External connection:

PUSH WIRE® for internal wiring with solid conductors

Push-in CAGE CLAMP® for field-wiring with all conductor types



Terminating five conductors per pole – solid and fine-stranded.



Subject to changes. Please also observe the further product documentation!