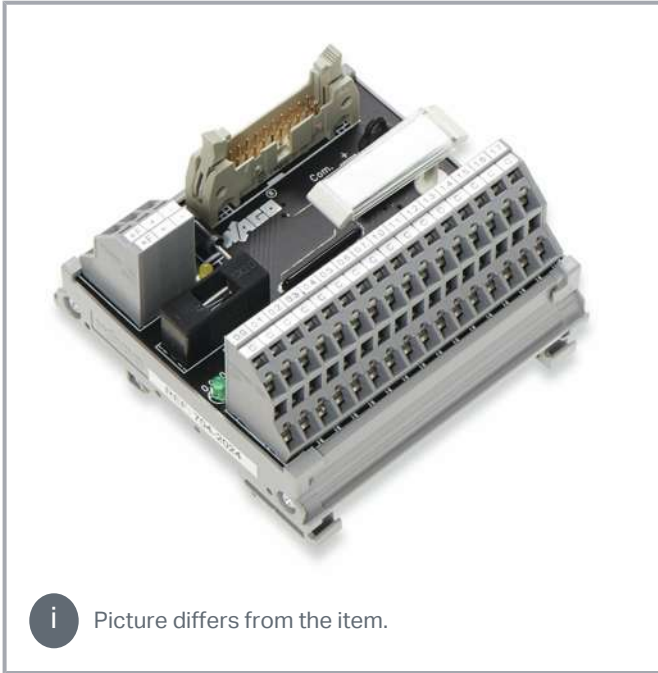


## Data sheet | Item number: 704-2224

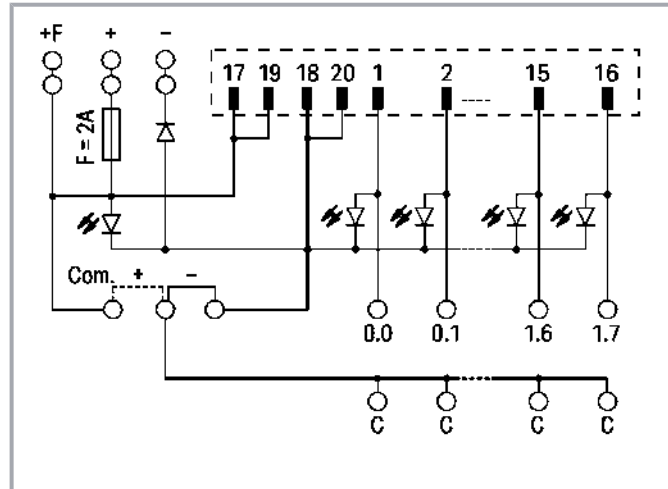
Interface module for system wiring; Pluggable connector per DIN 41651; Male connector; 20-pole; 16-channel digital input or output; 2-wire connection; Double-deck PCB terminal blocks; in mounting carrier



[www.wago.com/704-2224](http://www.wago.com/704-2224)



 Picture differs from the item.



## Data

### Electrical data

Inputs/outputs	16-channel digital input or output
Circuit type	2-wire connection
Nominal operating voltage	DC 24 V
Operating voltage range	±10 %
Power consumption (status indication)	5 mA
Total current	2 A
Limiting continuous current	1 A
Status indicator	Green LED (channel) Yellow LED (power supply)
Internal fuse	2 A

### Safety and protection

Rated voltage	50 V
---------------	------

Subject to changes. Please also observe the further product documentation!

WAGO Corporation  
Germantown, WI 53022  
Phone: 1-800-DIN-RAIL (346-7245) | Fax: (262) 255-6222  
Email: [info.us@wago.com](mailto:info.us@wago.com) | Web: [www.wago.us](http://www.wago.us)

Do you have any questions about our products?  
We are always happy to take your call at +49 (571) 887-44222.



Rated surge voltage	0.8 kV
Pollution degree	2

**Connection data**

Compatible PLC Modules	WAGO I/O System 750 WAGO I/O System 753 Omron CJ1W Rockwell Compact Logix Rockwell Control Logix Schneider Modicon Quantum Schneider Modicon M340 Schneider Twido Schneider TSX Schneider Modicon TM3 GE Fanuc RX3i GE Fanuc 9030 Siemens S7-1500 Siemens S7-400 Siemens S7-300
Compatible PLC I/O Card Types	6ES7 313-5BE01-0AB0 6ES7 313-5BG04-0AB0 6ES7 313-6BE01-0AB0 6ES7 313-6BF03-0AB0 6ES7 313-6CE01-0AB0 6ES7 313-6CF03-0AB0 6ES7 314-6BF01-0AB0 6ES7 314-6BG03-0AB0 6ES7 314-6CF01-0AB0 6ES7 314-6CG03-0AB0 6ES7 321-1BH02-0AA0 6ES7 321-1BH10-0AA0 6ES7 321-1BH80-0AA0 6ES7 321-1BL00-0AA0 6ES7 321-1BL80-0AA0 6ES7 321-1BP00-0AA0 6ES7 321-7BH01-0AB0 6ES7 321-7BH80-0AA0 6ES7 322-1EH01-0AA0 6ES7 322-8BH01/8BH10-0AB0 6ES7 323-1BL00-0AA0 6ES7 326-1BK01-0AB0 6ES7 326-1RF00-0AB0 6ES7 511-1CK00-0AB0 6ES7 512-1CK00-0AB0 6ES7 521-1BH00-0AA0 6ES7 521-1BH10-0AA0

Subject to changes. Please also observe the further product documentation!

WAGO Corporation  
 Germantown, WI 53022  
 Phone: 1-800-DIN-RAIL (346-7245) | Fax: (262) 255-6222  
 Email: [info.us@wago.com](mailto:info.us@wago.com) | Web: [www.wago.us](http://www.wago.us)

Do you have any questions about our products?  
 We are always happy to take your call at +49 (571) 887-44222.



6ES7 521-1BL00-0AB0  
6ES7 521-1BL10-0AA0  
6ES7 522-1BH00-0AB0  
6ES7 522-1BH01-0AB0  
6ES7 522-1BH10-0AA0  
6ES7 522-1BL00-0AB0  
6ES7 522-1BL01-0AB0  
6ES7 522-1BL10-0AA0  
6ES7 523-1BL00-0AA0  
6ES7 526-2BF00-0AB0  
6ES7 526-1BH00-0AB0  
6ES7 421-7BH01-0AB0  
6ES7 421-1BL01-0AA0  
6ES7 422-7BL00-0AB0  
6ES7 422-1BL00-0AA0  
IC693 MDL241  
IC693 MDL640  
IC693 MDL643  
IC693 MDL645  
IC693 MDL646  
IC693 MDL655  
IC693 MDL740  
IC693 MDL742  
IC693 MDL753  
IC694 MDL655  
IC694 MDL753  
TM3 DI16(G)  
TM3 DI16K  
TM3 DI32K  
TM3 DQ16T(G)  
TM3 DQ16TK  
TM3 DQ32TK  
TSX DEZ 12D2K  
TSX DEZ 32D2  
TSX DSZ 32T2  
TSX DMZ 28DT  
TSX DMZ 28DTK  
TSX DMZ 64DTK  
TSX DEY 16D2  
TSX DEY 16FK  
TSX DEY 32D2K  
TSX DEY 64D2K  
TSX DSY 16T2  
TSX DSY 32T2K  
TSX DSY 64T2K  
TSX DMY 28FK  
TSX DMY 28RFK  
TM2 DDI 16DK

Subject to changes. Please also observe the further product documentation!

WAGO Corporation  
Germantown, WI 53022  
Phone: 1-800-DIN-RAIL (346-7245) | Fax: (262) 255-6222  
Email: [info.us@wago.com](mailto:info.us@wago.com) | Web: [www.wago.us](http://www.wago.us)

Do you have any questions about our products?  
We are always happy to take your call at +49 (571) 887-44222.



TM2 DDI 32DK  
TM2 DDO 16TK  
TM2 DDO 32TK  
140 DDI 353 00  
140 DDI 364 00  
140 DSI 353 00  
140 DDO 353 00  
140 DDO 353 01  
140 DDO 364 00  
140 DVO 853 00  
140 DDM 390 00  
BMX DDI 1602  
BMX DDI 3202K  
BMX DDI 6402K  
BMX DDO 1602  
BMX DDO 3202K  
BMX DDO 6402K  
BMX DDM 3202K  
1769 - IQ16  
1769 - IQ16F  
1769 - IQ32  
1769 - IQ32T  
1769 - OB16  
1769 - OB16P  
1769 - OB32  
1769 - OB32T  
1756 - IB16I  
1756 - IB16ISOE  
1756 - IB32  
1756 - OB16E  
1756 - OB16I  
1756 - OB16IS  
1756 - OB32  
753-430 (x2)  
753-431 (x2)  
753-530 (x2)  
750-1502  
750-1500  
750-1400  
CJ1W-ID211  
CJ1W-ID231  
CJ1W-ID232  
CJ1W-ID261  
CJ1W-ID262  
CJ1W-IDP01  
CJ1W-INT01  
CJ1W-OD212  
CJ1W-OD232

Subject to changes. Please also observe the further product documentation!

---

WAGO Corporation  
Germantown, WI 53022  
Phone: 1-800-DIN-RAIL (346-7245) | Fax: (262) 255-6222  
Email: [info.us@wago.com](mailto:info.us@wago.com) | Web: [www.wago.us](http://www.wago.us)

Do you have any questions about our products?  
We are always happy to take your call at +49 (571) 887-44222.



	CJ1W-OD262 CJ1W-MD232
Connection type (1)	System
Pluggable connectors	DIN 41651 male connector
Mating direction	vertical
Conductor diameter	28 ... 12 AWG
Connection type 2	Field
Pole number 2	32
Design 2	PCB terminal blocks (double-deck)
WAGO Connector 2	WAGO 736 Series
Solid conductor 2	0.08 ... 2.5 mm <sup>2</sup> / 28 ... 12 AWG
Fine-stranded conductor 2	0.08 ... 2.5 mm <sup>2</sup> / 28 ... 12 AWG
Conductor diameter 2	28 ... 12 AWG
Strip length 2	5 ... 6 mm / 0.2 ... 0.24 inch
Connection type (3)	Supply
Pole number 3	6
Design 3	PCB terminal blocks (double-row)
WAGO Connector 3	WAGO 736 Series
Solid conductor 3	0.08 ... 2.5 mm <sup>2</sup> / 28 ... 12 AWG
Fine-stranded conductor (3)	0.08 ... 2.5 mm <sup>2</sup> / 28 ... 12 AWG
Strip length 3	5 ... 6 mm / 0.2 ... 0.24 inch
Note (conductor cross-section)	12 AWG: THHN, THWN

### Physical data

Width	85 mm / 3.346 inch
Height	85 mm / 3.346 inch
Depth from upper edge of DIN-rail	50 mm / 1.969 inch

### Mechanical data

Mounting type	DIN-35 rail
---------------	-------------

### Material data

Fire load	1.7 MJ
Weight	110 g

### Environmental requirements

Surrounding air temperature (operation)	-20 ... 50 °C
---	---------------

Subject to changes. Please also observe the further product documentation!

WAGO Corporation  
 Germantown, WI 53022  
 Phone: 1-800-DIN-RAIL (346-7245) | Fax: (262) 255-6222  
 Email: [info.us@wago.com](mailto:info.us@wago.com) | Web: [www.wago.us](http://www.wago.us)

Do you have any questions about our products?  
 We are always happy to take your call at +49 (571) 887-44222.



Surrounding air temperature (storage)	-40 ... 70 °C
Relative humidity	85% (non-condensing)

### Commercial data

PU (SPU)	1 Stück
Packaging type	box
Country of origin	FR
GTIN	4050821887713
Customs tariff number	85369010000

### Downloads

#### Documentation

##### System Description

WAGO System Wiring, Selection Guide	pdf	Download
This guide will help you select the appropriate interface modules and system cables for the controller you are using.	545.9 kB	

### Environmental Product Compliance

#### Compliance Search

Environmental Product Compliance 704-2224	URL	Download
Interface module for system wiring; Pluggable connector per DIN 41651; Male connector; 20-pole; 16-channel digital input or output; 2-wire connection; Double-deck PCB terminal blocks; in mounting carrier		

### Installation Notes

Subject to changes. Please also observe the further product documentation!