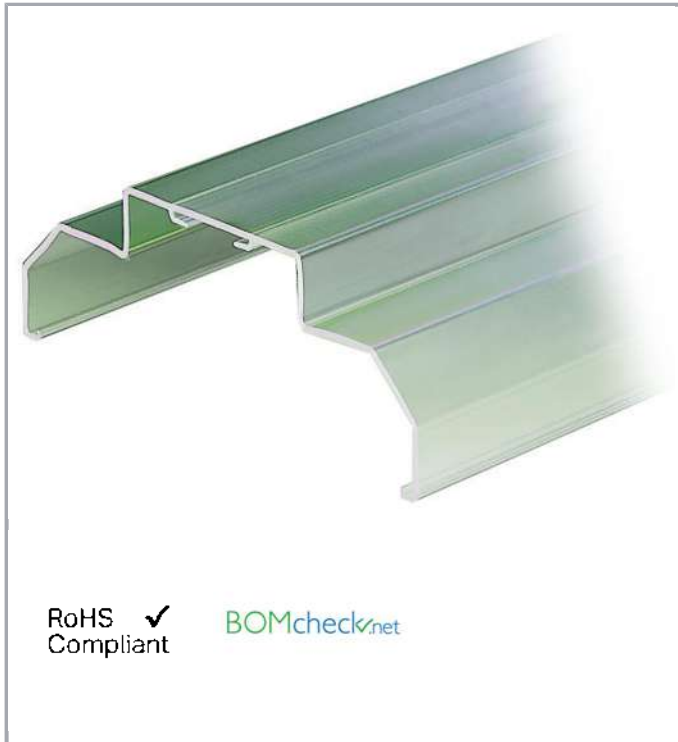


Data sheet | Item number: 709-154

Cover; Type 2; suitable for cover carrier, type 2; 1 m long; transparent

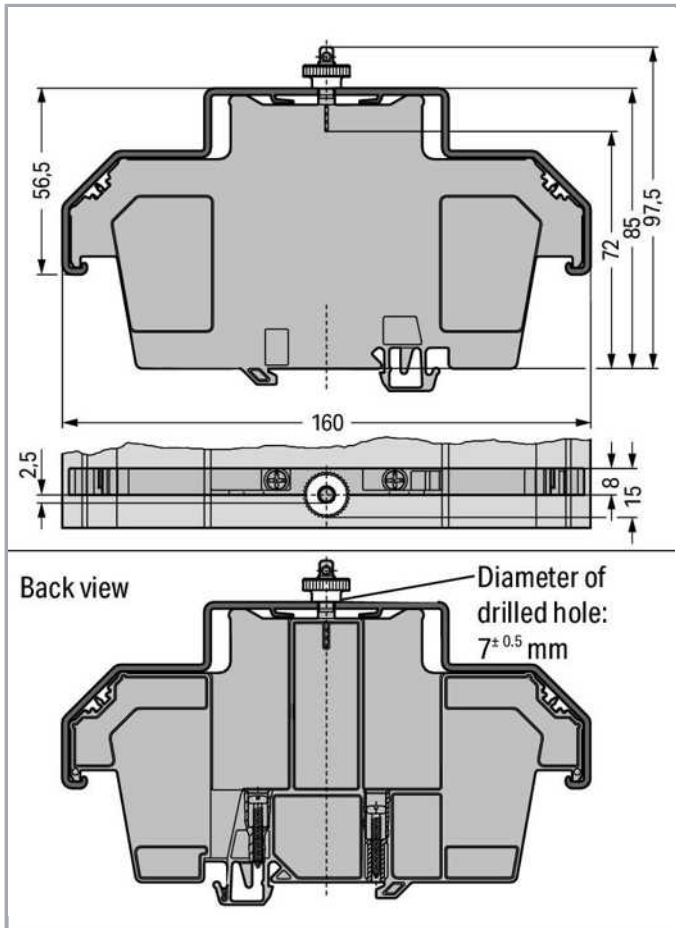
www.wago.com/709-154



Subject to changes. Please also observe the further product documentation!

WAGO Kontakttechnik GmbH & Co. KG
Hansastr. 27
32423 Minden
Phone: +49571 887-0 | Fax: +49571 887-169
Email: info.de@wago.com | Web: www.wago.com

Do you have any questions about our products?
We are always happy to take your call at +49 (571) 887-44222.



Data

Technical Data

Main product function

Mounting Accessories

Geometrical Data

Width	1000 mm / 39.37 inch
Height	56.5 mm / 2.224 inch
Depth	160 mm / 6.299 inch

Material Data

Color	transparent
Fire load	17.76 MJ
Weight	603 g

Subject to changes. Please also observe the further product documentation!

WAGO Kontakttechnik GmbH & Co. KG
 Hansastr. 27
 32423 Minden
 Phone: +49571 887-0 | Fax: +49571 887-169
 Email: info.de@wago.com | Web: www.wago.com

Do you have any questions about our products?
 We are always happy to take your call at +49 (571) 887-44222.




Commercial data

Product Group	2 (Terminal Block Accessories)
Packaging type	BOX
Country of origin	DE
GTIN	4017332360647
Customs Tariff No.	39169010900

Counterpart

Compatible products

assembling

	Item no.: 209-196 Spare fixing/retaining screw; for cover	www.wago.com/209-196
	Item no.: 210-549 Spare knurled nut; for cover	www.wago.com/210-549
	Item no.: 709-168 Cover carrier; Type 2; incl. fixing/retaining screws and knurled nut; suitable for 283 to 285 Series rail-mounted terminal blocks; suitable for 279 to 281 Series double- and triple-deck terminal blocks; suitable for 780 to 785, 775, 776 and 777 Series TOPJOB® rail-mounted terminal blocks; suitable for 280 Series sensor and actuator terminal blocks; suitable for 282 Series disconnect/test terminal blocks for transformer circuits; gray	www.wago.com/709-168

Marking accessories

	Item no.: 709-183 Marking strips; for laser printer; white	www.wago.com/709-183
--	--	--

Downloads

Documentation

Bid Text

709-154 GAEB X81 - Datei	Feb 19, 2019	xml 2.6 kB	Download
709-154 doc - Datei	Aug 31, 2017	doc 24.1 kB	Download

Subject to changes. Please also observe the further product documentation!

CAD/CAE-Data

CAD data

2D/3D Models 709-154	URL	Download
----------------------	---------------------	--------------------------

CAE data

EPLAN Data Portal 709-154	URL	Download
---------------------------	---------------------	--------------------------

WSCAD Universe 709-154	URL	Download
------------------------	---------------------	--------------------------

Installation Notes

Marking



Inserting a marking strip into the cover.

Safety

Subject to changes. Please also observe the further product documentation!



Cover with lead seals:

Using covers without lead seals, the thread dome-head can be broken off.

Subject to changes. Please also observe the further product documentation!