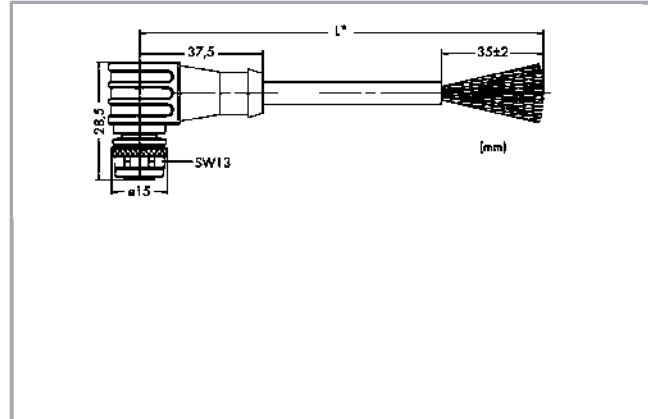


Data sheet | Item number: 756-1402/060-100  
CANopen/DeviceNet cable; 5-pole; Length: 10 m

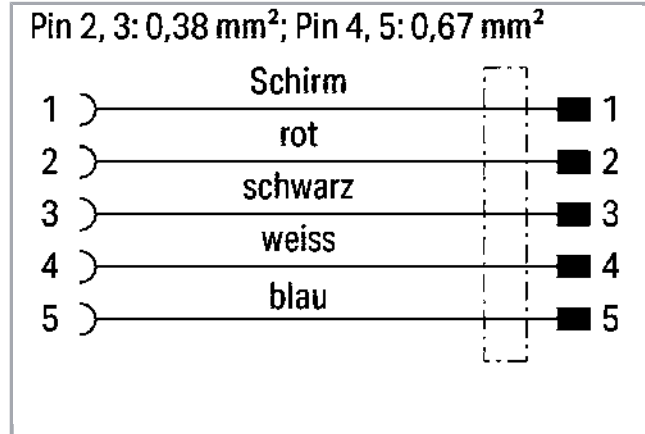
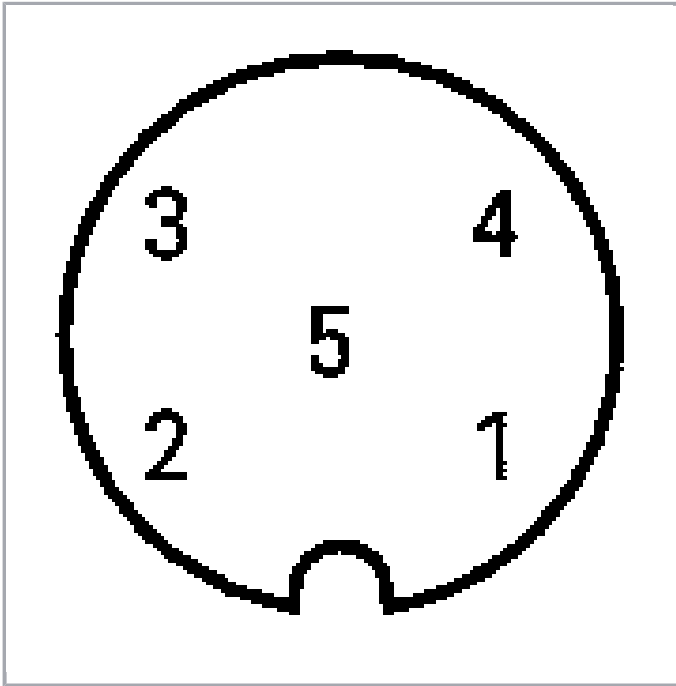
[www.wago.com/756-1402\\_060-100](http://www.wago.com/756-1402_060-100)



Subject to changes. Please also observe the further product documentation!

WAGO Kontakttechnik GmbH & Co. KG  
Hansastr. 27  
32423 Minden  
Phone: +49571 887-0 | Fax: +49571 887-169  
Email: [info.de@wago.com](mailto:info.de@wago.com) | Web: [www.wago.com](http://www.wago.com)

Do you have any questions about our products?  
We are always happy to take your call at +49 (571) 887-44222.



## Item description

### Short description:

- PUR VT, halogen-free
- Suitable for drag chains
- High resistance to microbes, hydrolysis, oil, chemicals and UV radiation
- High chemical resistance
- Cable used: UL listed

## Data

### Technical Data

Connection type	M12 socket - free end
No. of poles	5
Leitungsanschlussrichtung zur Steckrichtung	90°
Steckgesichtskodierung Leitung/Adapter 1 1	A-coded
Cable length	10 m
Communication/Fieldbus	CANopen
Communication/Fieldbus (2)	DeviceNet
Operating voltage	≤ 300 V
Operating current	4 A

Subject to changes. Please also observe the further product documentation!

WAGO Kontakttechnik GmbH & Co. KG  
 Hansastr. 27  
 32423 Minden  
 Phone: +49571 887-0 | Fax: +49571 887-169  
 Email: [info.de@wago.com](mailto:info.de@wago.com) | Web: [www.wago.com](http://www.wago.com)

Do you have any questions about our products?  
 We are always happy to take your call at +49 (571) 887-44222.



Rated surge voltage	2 kV
Contact resistance	10 MΩ
Insulation resistance	$\geq 2 \times 10^8 \Omega/\text{km}$
Resistance of conductor	$\leq 57 \Omega/\text{km}$ (22 AWG) + $\leq 79 \Omega/\text{km}$ (24 AWG)

## Mechanical data

bending radius	5 x cable diameter (min.)
Bending cycles	5 Mio.
Schleppkettentauglichkeit	yes
Cable diameter	6,6 ... 7,2 mm
Bauartkurzzeichen	L-02YC11Y 2xAWG24 + 2xAWG22/1.4-120 VI FRNC, geschirmt
Screening	tinned copper braid, optical coverage approx. 85 %
Conductor design	Bare copper wire (19 x 0.125 mm)
Leiterisolierung	PE (halogen-free)
Housing material	TPU/TPU, black (~ RAL 9005)
Tightening torque	1 Nm
Weight	10 g
Color	violet

## Environmental Requirements

Umgebungstemperatur (Betrieb) bewegt	-40 ... +80 °C
Umgebungstemperatur (Betrieb) ruhend	-40 ... +80 °C
Protection class	IP67
Degree of pollution (5)	3/2 per IEC 60664-1

## Commercial data

Packaging type	BOX
Country of origin	DE
GTIN	4045454640866
Customs Tariff No.	85444290900

## Counterpart

## Downloads

## Documentation

## System Description

Subject to changes. Please also observe the further product documentation!

WAGO Kontakttechnik GmbH & Co. KG  
 Hansastr. 27  
 32423 Minden  
 Phone: +49571 887-0 | Fax: +49571 887-169  
 Email: [info.de@wago.com](mailto:info.de@wago.com) | Web: [www.wago.com](http://www.wago.com)

Do you have any questions about our products?  
 We are always happy to take your call at +49 (571) 887-44222.



I/O-SYSTEM – SPEEDWAY, General Product Information

pdf  
1.1 MB

[Download](#)

---

## CAD/CAE-Data

### CAE data

WSCAD Universe 756-1402/060-100

URL

[Download](#)

---

## Installation Notes

Subject to changes. Please also observe the further product documentation!

---

WAGO Kontakttechnik GmbH & Co. KG  
Hansastr. 27  
32423 Minden  
Phone: +49571 887-0 | Fax: +49571 887-169  
Email: [info.de@wago.com](mailto:info.de@wago.com) | Web: [www.wago.com](http://www.wago.com)

Do you have any questions about our products?  
We are always happy to take your call at +49 (571) 887-44222.