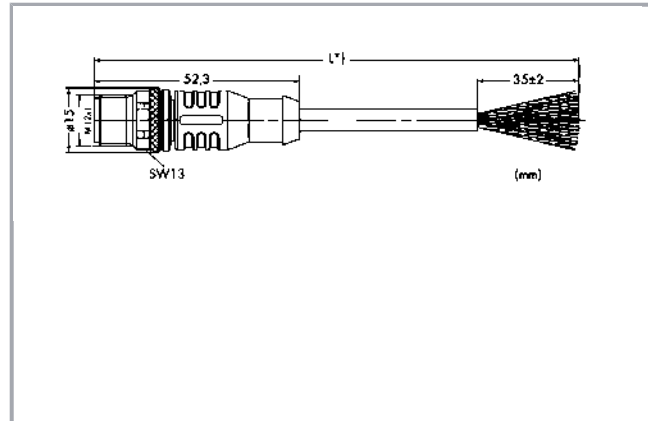


Data sheet | Item number: 756-1601/060-020  
sercos cable; 4-pole; M12 plug, axial; Length: 2 m

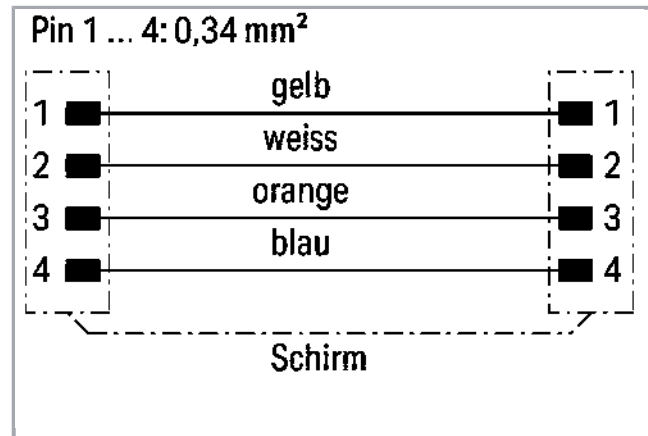
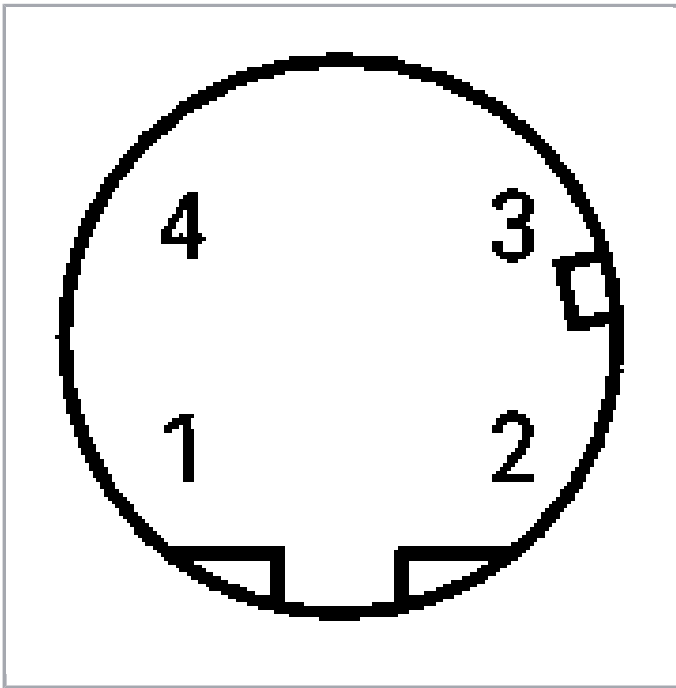
[www.wago.com/756-1601\\_060-020](http://www.wago.com/756-1601_060-020)



Subject to changes. Please also observe the further product documentation!

WAGO Kontakttechnik GmbH & Co. KG  
Hansastr. 27  
32423 Minden  
Phone: +49571 887-0 | Fax: +49571 887-169  
Email: [info.de@wago.com](mailto:info.de@wago.com) | Web: [www.wago.com](http://www.wago.com)

Do you have any questions about our products?  
We are always happy to take your call at +49 (571) 887-44222.



## Item description

### Short description:

- PUR RD, halogen-free
- CAT 5e ES
- Suitable for drag chains
- Silicon- and CFC-free
- High resistance to microbes, hydrolysis, oil, ozone, chemicals and UV radiation
- Cable used: UL listed

## Data

### Technical Data

Connection type	M12 plug - free end
No. of poles	4
Leitungsanschlussrichtung zur Steckrichtung	0°
Steckgesichtskodierung Leitung/Adapter 1 1	D-coded
Cable length	2 m
Communication/Fieldbus	sercos
Operating voltage	250 V
Operating current	4 A

Subject to changes. Please also observe the further product documentation!

WAGO Kontakttechnik GmbH & Co. KG  
Hansastr. 27  
32423 Minden  
Phone: +49571 887-0 | Fax: +49571 887-169  
Email: [info.de@wago.com](mailto:info.de@wago.com) | Web: [www.wago.com](http://www.wago.com)

Do you have any questions about our products?  
We are always happy to take your call at +49 (571) 887-44222.



Rated surge voltage	2 kV
Contact resistance	10 MΩ
Insulation resistance	$\geq 5 \times 10^8 \Omega/\text{km}$
Resistance of conductor	$< 57 \Omega/\text{km}$

## Mechanical data

bending radius	Single: 4 x cable diameter (min.); Multiple: 8 x cable diameter (min.)
Bending cycles	3 Mio.
Schleppkettentauglichkeit	yes
Cable diameter	6,3 ... 6,7 mm
Bauartkurzzeichen	02YH(ST)C11Y 2x2x0.75/1.5-100 LI RT VZN FRNC, shielded
Screening	Overlapped aluminum-laminated foil and tinned copper braid, optical coverage approx. 85 %
Conductor design	Bare copper wire (7 x 0.25 mm)
Leiterisolierung	PE (halogen-free)
Housing material	TPU/TPU, black (~ RAL 9005)
Tightening torque	1 Nm
Weight	160 g

## Environmental Requirements

Umgebungstemperatur (Betrieb) bewegt	-40 ... +70 °C
Umgebungstemperatur (Betrieb) ruhend	-40 ... +70 °C
Protection class	IP67
Degree of pollution (5)	3/2 per IEC 60664-1

## Commercial data

Packaging type	BOX
Country of origin	DE
GTIN	4050821591504
Customs Tariff No.	85444290900

## Counterpart

### Downloads

### Documentation

### System Description

Subject to changes. Please also observe the further product documentation!

WAGO Kontakttechnik GmbH & Co. KG  
Hansastr. 27  
32423 Minden  
Phone: +49571 887-0 | Fax: +49571 887-169  
Email: [info.de@wago.com](mailto:info.de@wago.com) | Web: [www.wago.com](http://www.wago.com)

Do you have any questions about our products?  
We are always happy to take your call at +49 (571) 887-44222.



I/O-SYSTEM – SPEEDWAY, General Product Information

pdf  
1.1 MB

Download

---

## CAD/CAE-Data

### CAE data

WSCAD Universe 756-1601/060-020

URL

Download

---

## Installation Notes

Subject to changes. Please also observe the further product documentation!

---

WAGO Kontakttechnik GmbH & Co. KG  
Hansastr. 27  
32423 Minden  
Phone: +49571 887-0 | Fax: +49571 887-169  
Email: [info.de@wago.com](mailto:info.de@wago.com) | Web: [www.wago.com](http://www.wago.com)

Do you have any questions about our products?  
We are always happy to take your call at +49 (571) 887-44222.