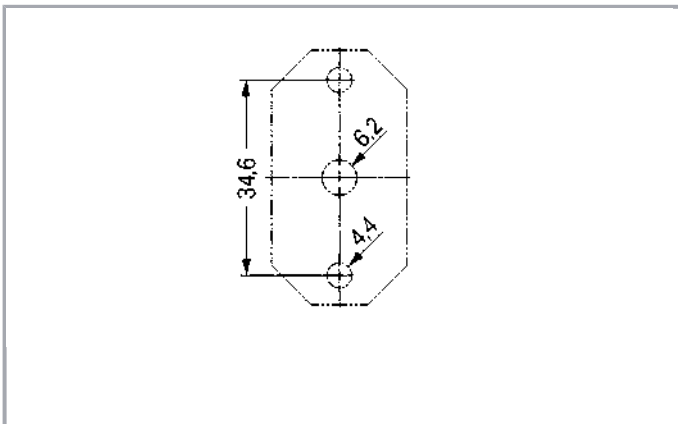
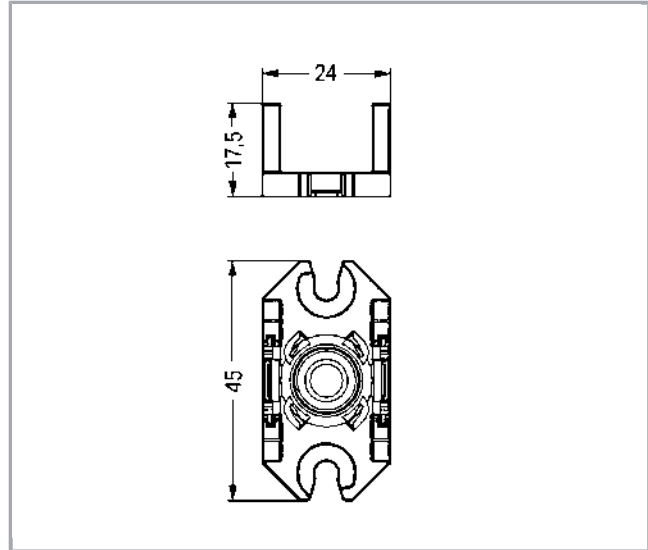


Data sheet | Item number: 770-1626

Mounting plate; 2-pole; for distribution connectors; Plastic; black

[www.wago.com/770-1626](http://www.wago.com/770-1626)



Subject to changes. Please also observe the further product documentation!

WAGO Kontakttechnik GmbH & Co. KG  
Hansastr. 27  
32423 Minden  
Phone: +49571 887-0 | Fax: +49571 887-169  
Email: [info.de@wago.com](mailto:info.de@wago.com) | Web: [www.wago.com](http://www.wago.com)

Do you have any questions about our products?  
We are always happy to take your call at +49 (571) 887-44222.



## Data

### Mechanical data

Mounting type	Screw mounting
Suitable	for distribution connector (except T-distribution connector); 2-pole

### Material Data

Color	black
Insulating material	Polyamide 66 (PA 66)
Flammability class per UL94	V0
Fire load	0.12 MJ
Weight	4 g

### Environmental Requirements

Processing temperature	-5 ... +40 °C
Continuous operating temperature	-35 ... +85 °C
Note on Continuous Service Temperature	Insulating parts for temperatures ≤ 105 °C

### Commercial data

Product Group	20 (WINSTA)
Packaging type	BOX
Country of origin	DE
GTIN	4050821854524
Customs Tariff No.	39269097900

### Counterpart

### Downloads

#### Documentation

##### Bid Text

770-1626 doc - Datei	Jan 14, 2015	doc 23.0 kB	Download
770-1626 GAEB X81 - Datei	Feb 19, 2019	xml 2.6 kB	Download

Subject to changes. Please also observe the further product documentation!



## Installation Notes

## Product family

*WINSTA*® MIDI

[Show all products from the family](#)

Subject to changes. Please also observe the further product documentation!