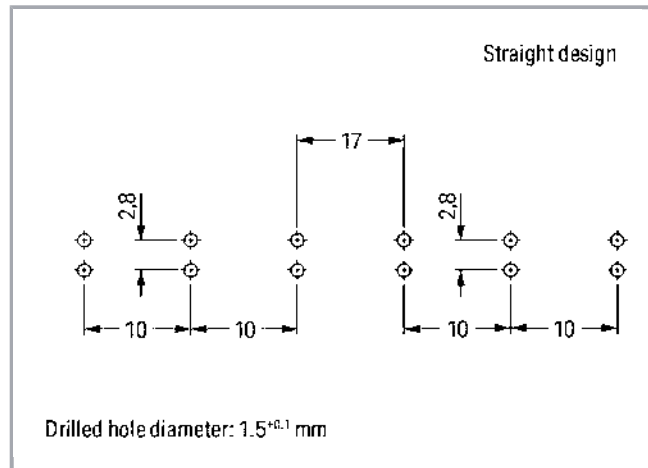
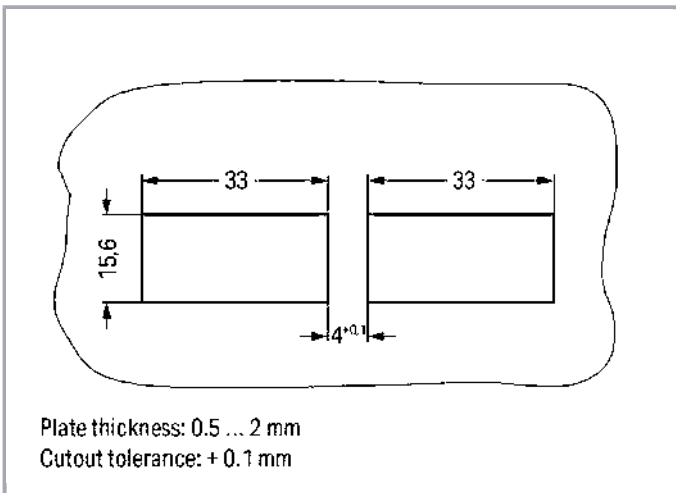
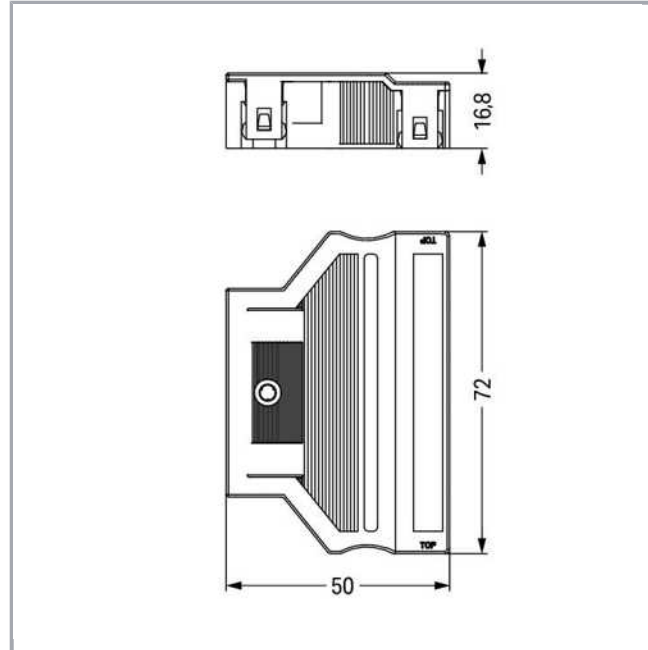


Data sheet | Item number: 770-506/029-000

Strain relief housing; 6-pole; for 2 cables; 8.5 ... 13.5 mm; 55 mm; black

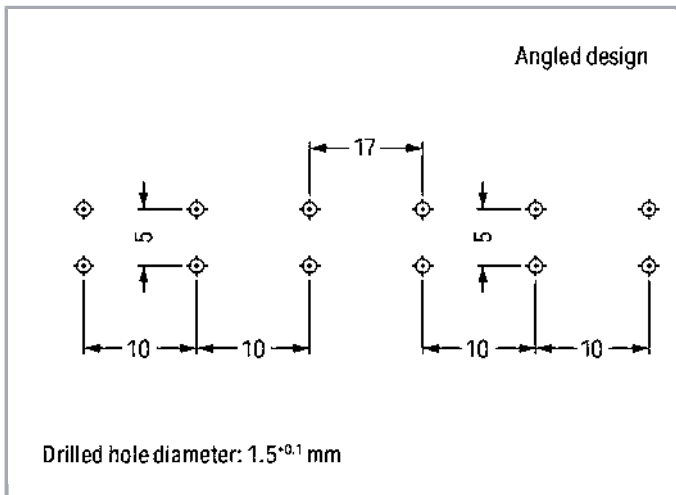
[www.wago.com/770-506\\_029-000](http://www.wago.com/770-506_029-000)



Subject to changes. Please also observe the further product documentation!

WAGO Kontakttechnik GmbH & Co. KG  
Hansastr. 27  
32423 Minden  
Phone: +49571 887-0 | Fax: +49571 887-169  
Email: [info.de@wago.com](mailto:info.de@wago.com) | Web: [www.wago.com](http://www.wago.com)

Do you have any questions about our products?  
We are always happy to take your call at +49 (571) 887-44222.



## Data

### Connection data

No. of poles	6
Connectable sheathed cable diameter	8,5 ... 13,5 mm
Strip length	55 mm

### Geometrical Data

Width	72 mm / 2.835 inch
Height	16,8 mm / 0.661 inch
Depth	50 mm / 1.969 inch

### Material Data

Color	black
Insulating material	Polyamide 66 (PA 66)
Fire load	0.448 MJ
Weight	16.1 g

### Environmental Requirements

Processing temperature	-5 ... +40 °C
Continuous operating temperature	-35 ... +85 °C
Note on Continuous Service Temperature	Insulating parts for temperatures ≤ 105 °C

### Commercial data

Packaging type	BOX
----------------	-----


Subject to changes. Please also observe the further product documentation!



Country of origin	DE
GTIN	4045454001773
Customs Tariff No.	85389099990

## Approvals / Certificates

### Ship Approvals

Logo	Approval	Additional Approval Text	Certificate name
	LR Lloyds Register	IEC 61984	02/20050 (E6)

## Counterpart

## Compatible products

### Marking accessories

Item no.: 210-333

Marking strips; as a DIN A4 sheet; Strip width 6 mm; Strip length 182 mm; plain; Self-adhesive; white

[www.wago.com/210-333](http://www.wago.com/210-333)

## Downloads

### Documentation

#### Bid Text

770-506/029-000 GAEB X81 - Datei	Feb 19, 2019	xml 2.9 kB	Download
770-506/029-000 doc - Datei	Jan 6, 2015	doc 24.1 kB	Download

## CAD/CAE-Data

### CAD data

2D/3D Models 770-506/029-000	URL	Download
------------------------------	-----	----------

### CAE data

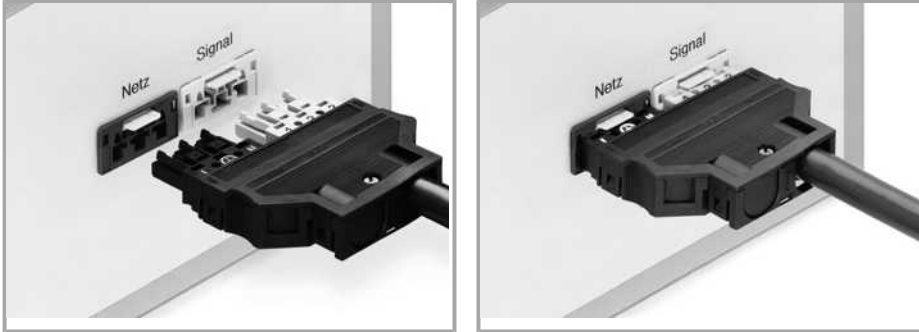
Subject to changes. Please also observe the further product documentation!

WAGO Kontakttechnik GmbH & Co. KG  
 Hansastr. 27  
 32423 Minden  
 Phone: +49571 887-0 | Fax: +49571 887-169  
 Email: [info.de@wago.com](mailto:info.de@wago.com) | Web: [www.wago.com](http://www.wago.com)

Do you have any questions about our products?  
 We are always happy to take your call at +49 (571) 887-44222.

## Installation Notes

### Application



Snap-on type strain relief housings for:

- two 3-pole sockets
- 
- two 3-pole plugs
- 
- 3-pole socket and plug
- 

### Product family

*WINSTA*® MIDI

[Show all products from the family](#)

Subject to changes. Please also observe the further product documentation!