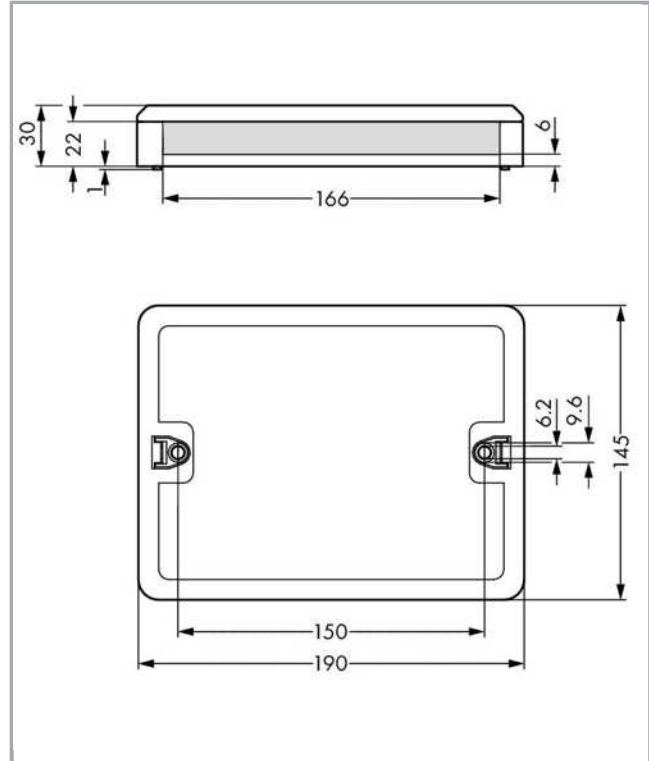


Data sheet | Item number: 770-681/111-000

Distribution box; 1-phase two-way circuit; 3-pole; white

www.wago.com/770-681_111-000



Item description

Note on mismatching protection:

All WINSTA[®] components are 100% protected against mismatching in terms of:

- a.) plugging different number of poles
- b.) plugging when turned by 180°
- c.) plugging when laterally staggered
- d.) plugging one pole

Data

Counterpart

Installation Notes

Installation

Subject to changes. Please also observe the further product documentation!

WAGO Kontakttechnik GmbH & Co. KG
Hansastr. 27
32423 Minden
Phone: +49571 887-0 | Fax: +49571 887-169
Email: info.de@wago.com | Web: www.wago.com

Do you have any questions about our products?
We are always happy to take your call at +49 (571) 887-44222.



Securing the mounting plate with WINSTA[®]
Distribution Box to the wall (e.g., via stud gun).

Subject to changes. Please also observe the further product documentation!