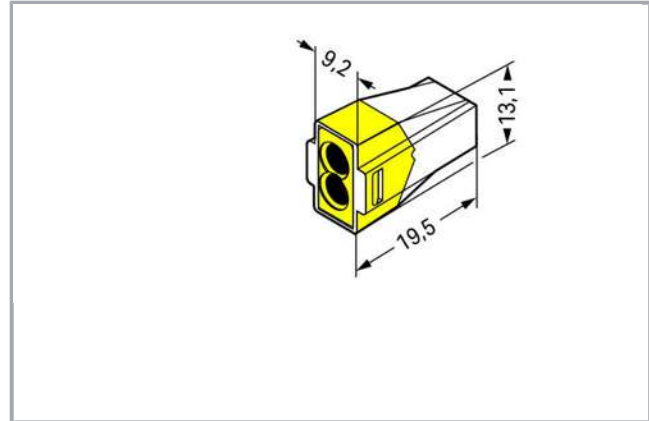


## Data sheet | Item number: 773-102

PUSH WIRE® connector for junction boxes; for solid and stranded conductors; max. 2.5 mm<sup>2</sup>; 2-conductor; transparent housing; yellow cover; Surrounding air temperature: max 60°C; 2,50 mm<sup>2</sup>



[www.wago.com/773-102](http://www.wago.com/773-102)



### Item description

#### Note:

#### Terminating Aluminum Conductors

WAGO spring clamp terminal blocks are suitable for solid aluminum conductors up to 4 mm<sup>2</sup>/12 AWG if WAGO "Alu-Plus" Contact Paste is used for termination.

"Alu-Plus" Contact Paste Advantages:

- Automatically destroys the oxide film during clamping.
- Prevents fresh oxidation at the clamping point.
- Prevents electrolytic corrosion between aluminum and copper conductors (in the same terminal block).
- Provides long-term protection against corrosion.

Subject to changes. Please also observe the further product documentation!

WAGO Kontakttechnik GmbH & Co. KG  
Hansastr. 27  
32423 Minden  
Phone: +49571 887-0 | Fax: +49571 887-169  
Email: [info.de@wago.com](mailto:info.de@wago.com) | Web: [www.wago.com](http://www.wago.com)

Do you have any questions about our products?  
We are always happy to take your call at +49 (571) 887-44222.



For spring clamp connections with PUSH WIRE® connection technology, **WAGO recommends that the aluminum conductor first be cleaned and then immediately inserted into the clamping unit filled with "Alu-Plus" contact paste.**

It is also possible to apply WAGO "Alu-Plus" **additionally** on the whole surface of the aluminum conductor before termination.

Please note that the nominal currents must be adapted to the reduced conductivity of the aluminum conductors::

2.5 mm<sup>2</sup> = 16 A

4 mm<sup>2</sup> = 22 A

**Safety information 1:**

in grounded power lines

**Safety information 2:**

When using conductors of exclusively the same cross-section, 0.75 mm<sup>2</sup>/18 AWG is also possible.

## Data

### Electrical data

#### Ratings per IEC/EN 60664-1

Ratings per	IEC/EN 60664-1
Rated voltage (II / 2)	400 V
Rated impulse voltage (II / 2)	4 kV
Rated current	24 A
Legend (ratings)	(II / 2) ≙ Overvoltage category II / Pollution degree 2

### Connection data

Connection technology	PUSH WIRE®
Actuation type	Push-in
Connectable conductor materials	Copper Aluminum
Solid conductor	0,75 ... 2,5 mm <sup>2</sup> / 18 ... 12 AWG
Stranded conductor	1,5 ... 2,5 mm <sup>2</sup> / 16 ... 12 AWG
Strip length	12 mm / 0.47 inch
Total number of connection points	2
Total number of potentials	1
Type of wiring	Side-entry wiring

### Geometrical Data

Width	9,2 mm / 0.362 inch
Height	13,1 mm / 0.516 inch

Subject to changes. Please also observe the further product documentation!

Depth	19,5 mm / 0.768 inch
-------	----------------------

### Material Data

Cover color	yellow
Flammability class per UL94	V2
Fire load	0.037 MJ
Weight	1.6 g

### Environmental Requirements

Surrounding air (operating) temperature	60 °C
---	-------

### Commercial data

Product Group	7 (Push Wire Conn.)
Packaging type	BOX
Country of origin	CN
GTIN	4044918397537
Customs Tariff No.	85369010000

### Approvals / Certificates

#### Country specific Approvals

Logo	Approval	Additional Approval Text	Certificate name
	CCA UL International Demko A/S	EN 60998	CCA-DK No. 2520
	CSA DEKRA Certification B.V.	C22.2	15411 (LR46759)
	ÖVE Österreichischer Verband für Elektrotechnik	EN 60998	1193-031- 09

#### Ship Approvals

Logo	Approval	Additional Approval Text	Certificate name
	ABS	-	18-

Subject to changes. Please also observe the further product documentation!



American Bureau of Shipping

HG1755093-PDA



BV  
Bureau Veritas S.A.

EN 60998

11914/CO  
BV



DNV GL  
Det Norske Veritas, Germanischer Lloyd

EN 60998

TAE000015T





LR  
Lloyds Register

EN 60998

04/20013  
(E8)

#### UL-Approvals

Logo	Approval	Additional Approval Text	Certificate name
	UL UL International Germany GmbH	UL 486C	E69654
	UL UL International Germany GmbH	EN 60998	D-03479-A1

#### Counterpart

#### Compatible products

##### General accessories



Item no.: 249-130  
Syringe; Contents: 20 ml Alu-Plus contact paste

[www.wago.com/249-130](http://www.wago.com/249-130)

##### Mounting adapter



Item no.: 773-332  
Mounting carrier; 773 Series - 2.5 mm<sup>2</sup> / 4 mm<sup>2</sup> / 6 mm<sup>2</sup>; for DIN-35 rail mounting/screw mounting; orange

[www.wago.com/773-332](http://www.wago.com/773-332)

Subject to changes. Please also observe the further product documentation!

WAGO Kontakttechnik GmbH & Co. KG  
Hansastr. 27  
32423 Minden  
Phone: +49571 887-0 | Fax: +49571 887-169  
Email: [info.de@wago.com](mailto:info.de@wago.com) | Web: [www.wago.com](http://www.wago.com)

Do you have any questions about our products?  
We are always happy to take your call at +49 (571) 887-44222.



## Downloads

### Documentation

#### Additional Information

Technical explanations	Apr 3, 2019	pdf 2.1 MB	Download
------------------------	-------------	---------------	----------

---

### CAD/CAE-Data

#### CAE data

WSCAD Universe 773-102		URL	Download
------------------------	--	-----	----------

---

## Installation Notes

Subject to changes. Please also observe the further product documentation!