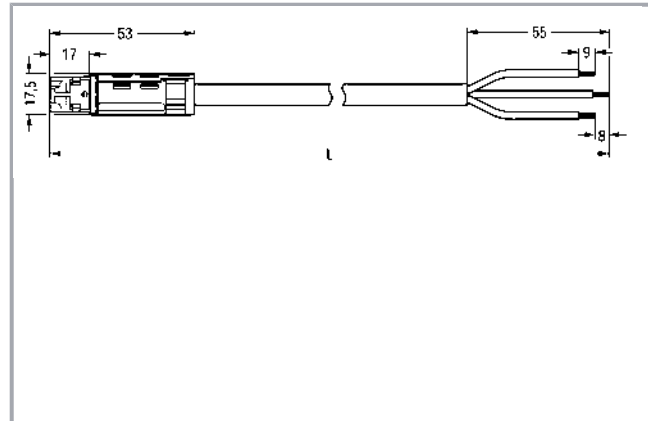
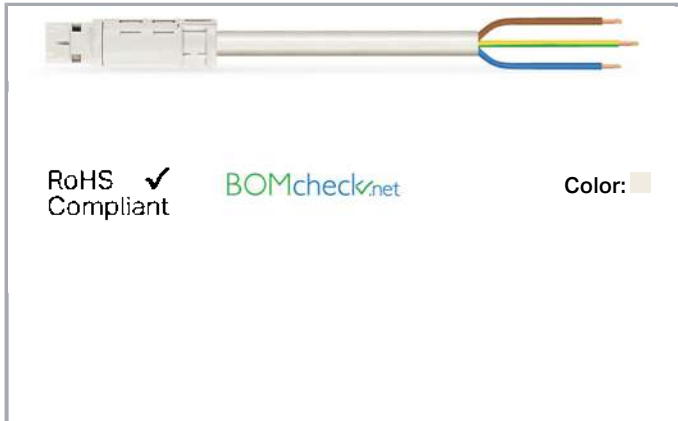


## Data sheet | Item number: 774-9993/206-802

pre-assembled connecting cable; Eca; Plug/open-ended; 3-pole; Cod. A;  
H05VV-F 3G 1.5 mm<sup>2</sup>; 8 m; 1,50 mm<sup>2</sup>; white



[www.wago.com/774-9993\\_206-802](http://www.wago.com/774-9993_206-802)



### Item description

- For round conduits and ducts
- 3- and 4-pole preassembled cables with 17.5 mm outer diameter for easy plug & play
- Plug-in integration into the electrical installation of hollow-wall boxes via adapter, for example

### Note:

Cables with a different fire class can be found in the eShop.

### Note on mismatching protection:

All WINSTA<sup>®</sup> components are 100% protected against mismatching when:

- plugging different numbers of poles
- plugging while incorrectly rotated
- plugging while laterally staggered

### Data

#### Electrical data

Note on Contact Resistance

approx. 1 m $\Omega$  of contact resistance approx. 0.25 m $\Omega$  contact transition plug/socket

Subject to changes. Please also observe the further product documentation!

WAGO Kontakttechnik GmbH & Co. KG  
Hansastr. 27  
32423 Minden  
Phone: +49571 887-0 | Fax: +49571 887-169  
Email: [info.de@wago.com](mailto:info.de@wago.com) | Web: [www.wago.com](http://www.wago.com)

Do you have any questions about our products?  
We are always happy to take your call at +49 (571) 887-44222.



## Ratings per IEC/EN 60664-1

| Ratings per                     | IEC/EN 60664-1  |
|---------------------------------|---|
| Rated voltage (III / 3)         | 250 V   |
| Rated impulse voltage (III / 3) | 4 kV  |
| Rated current                   | 16 A  |
| Legend (ratings)                | (III / 3) ≙ Overvoltage category III / Pollution degree 3 |

## Connection data

|                                   |                               |
|-----------------------------------|-------------------------------|
| Strip length                      | 9 mm / 0.35 inch              |
| No. of poles                      | 3                             |
| Total number of potentials        | 3                             |
| Ground function                   | with preceding ground contact |
| Conductor preparation             | tip-bonded                    |
| Cable diameter                    | 7,4 ... 9,4 mm                |
| Cross section of single conductor | 1.5 mm <sup>2</sup>           |
| Strip length                      | 55 mm                         |
| Connection type                   | Plug - Free end               |

## Geometrical Data

|              |     |
|--------------|-----|
| Total length | 8 m |
|--------------|-----|

## Mechanical data

|   |   |
|---|---|
| Mating force of a plug-in connection    | approx. 30 ... 70 N (depending on pole number)  |
| Retention force of a plug-in connection | when locked: > 80N  |
| Unmating force of a plug-in connection  | when unlocked: approx. 30 ... 70 N (depending on pole number)   |
| Number of mating cycles                 | 200, without resistive load<br>100, with resistive load $I_N = 20$ A, tested (2.5mm <sup>2</sup> /AWG 14) |

|                          |  |
|--------------------------|--|
| Connection type          | Plug - free end  |
| Type of cable assembly   | Connecting cable   |
| Type of cable            | H05VV-F 3G1.5  |
| Marking                  | L N  |
| Protection class         | IP20   |
| Note on protection class | Only when mated (these compact connectors are not designed for |

Subject to changes. Please also observe the further product documentation!



use in open, easily accessible areas).

|             |                            |
|-------------|----------------------------|
| Application | General mains applications |
|-------------|----------------------------|

### Plug connection

|                               |               |
|-------------------------------|---------------|
| Mismating protection          | Yes           |
| Locking of plug-in connection | locking lever |

### Material Data

|                                     |  |
|-------------------------------------|--|
| Color                               | white                                    |
| Insulating material                 | Polyamide 66 (PA 66)                     |
| Reaction to fire class per EN 50575 | E <sub>ca</sub>                          |
| Contact material                    | Copper or copper alloy (surface-treated) |
| Fire load                           | 15.377 MJ                                |
| Connector color                     | white                                    |
| Strain relief color                 | white                                    |
| Sheath material                     | PVC                                      |
| Weight                              | 856.7 g                                  |

### Environmental Requirements

|  |   |
|--|---|
| Processing temperature                 | -5 ... +40 °C   |
| Continuous operating temperature       | -35 ... +85 °C  |
| Note on Continuous Service Temperature | PVC cable for temperatures ≤ 70 °C (including halogen-free)<br>Insulating parts for temperatures ≤ 105 °C |

### Commercial data

|                    |               |
|--------------------|---------------|
| Packaging type     | not packed    |
| Country of origin  | DE            |
| GTIN               | 4045454323530 |
| Customs Tariff No. | 85444290900   |

### Counterpart

### Downloads

### Documentation

### Bid Text

Subject to changes. Please also observe the further product documentation!

WAGO Kontakttechnik GmbH & Co. KG  
 Hansastr. 27  
 32423 Minden  
 Phone: +49571 887-0 | Fax: +49571 887-169  
 Email: [info.de@wago.com](mailto:info.de@wago.com) | Web: [www.wago.com](http://www.wago.com)

Do you have any questions about our products?  
 We are always happy to take your call at +49 (571) 887-44222.



|                                      |              |                |          |
|--------------------------------------|--------------|----------------|----------|
| 774-9993/206-802<br>doc - Datei      | Jan 8, 2015  | doc<br>24.1 kB | Download |
| 774-9993/206-802<br>GAEB X81 - Datei | Feb 19, 2019 | xml<br>3.0 kB  | Download |

## CAD/CAE-Data

### CAD data

|                               |     |          |
|-------------------------------|-----|----------|
| 2D/3D Models 774-9993/206-802 | URL | Download |
|-------------------------------|-----|----------|

### CAE data

|                                 |     |          |
|---------------------------------|-----|----------|
| WSCAD Universe 774-9993/206-802 | URL | Download |
|---------------------------------|-----|----------|

## Installation Notes

## Product family

**<i>WINSTA</i>® RD**

[Show all products from the family](#)

Subject to changes. Please also observe the further product documentation!

WAGO Kontakttechnik GmbH & Co. KG  
Hansastr. 27  
32423 Minden  
Phone: +49571 887-0 | Fax: +49571 887-169  
Email: [info.de@wago.com](mailto:info.de@wago.com) | Web: [www.wago.com](http://www.wago.com)

Do you have any questions about our products?  
We are always happy to take your call at +49 (571) 887-44222.