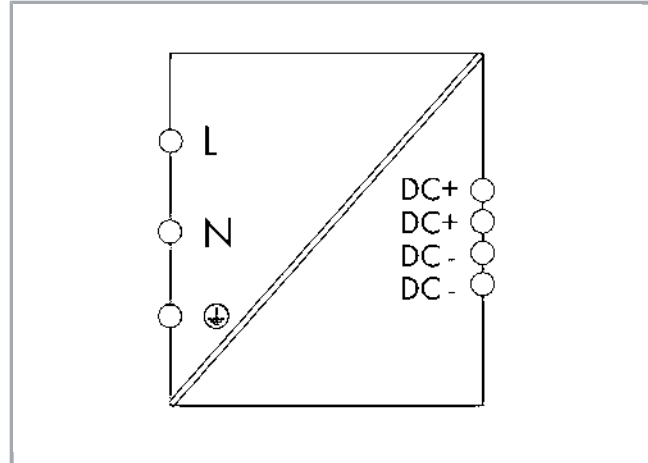


Data sheet | Item number: 787-622

Switched-mode power supply; Classic; 1-phase; 24 VDC output voltage; 5 A output current; 2,50 mm²



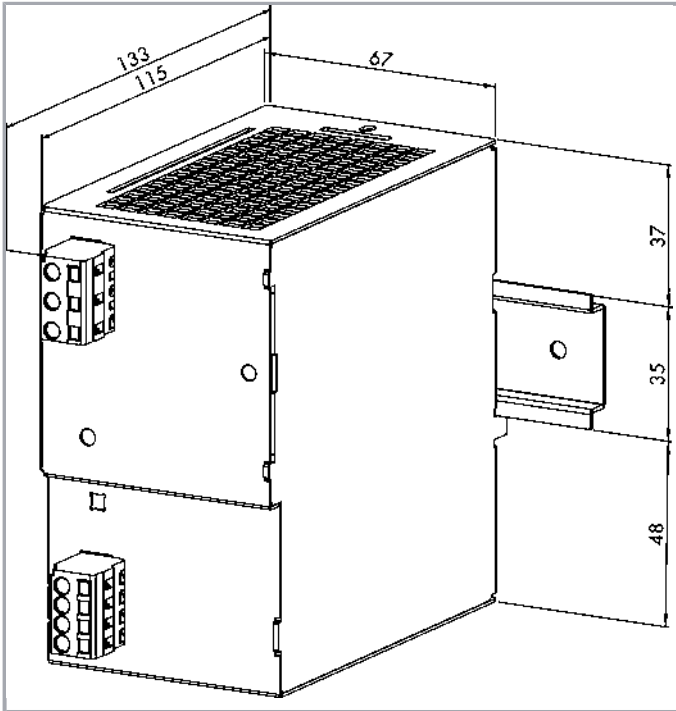
www.wago.com/787-622



Subject to changes. Please also observe the further product documentation!

WAGO Kontakttechnik GmbH & Co. KG
Hansastr. 27
32423 Minden
Phone: +49571 887-0 | Fax: +49571 887-169
Email: info.de@wago.com | Web: www.wago.com

Do you have any questions about our products?
We are always happy to take your call at +49 (571) 887-44222.



Item description

- Primary switch mode power supply unit
- Prepared for protection class I equipment
- Parallel operation, series connection possible
- Natural convection cooling when horizontally mounted
- Enclosed for use in switchgear cabinets
- Electrically isolated output voltage (SELV) acc. to EN 60950-1/UL 60950

Data

Technical Data

Input

Phases	1
Nominal input voltage $U_{i\text{nom}}$	AC 100 ... 240 V; DC 140 ... 300 V
Input voltage range	AC 90 ... 264 V; DC 130 ... 300 V
Nominal mains frequency range	50 ... 60 Hz; 0 Hz
Input current I_i	≤ 0.85 A (230 VAC)
Discharge current	≤ 0.55 mA

Subject to changes. Please also observe the further product documentation!

WAGO Kontakttechnik GmbH & Co. KG
 Hansastr. 27
 32423 Minden
 Phone: +49571 887-0 | Fax: +49571 887-169
 Email: info.de@wago.com | Web: www.wago.com

Do you have any questions about our products?
 We are always happy to take your call at +49 (571) 887-44222.

Inrush current	≤ 30 A
Power factor correction (PFC)	Passive
Mains failure hold-up time	≥ 20 ms (230 VAC)

Output

Nominal output voltage $U_{o\ nom}$	DC 24 V (SELV)
Output voltage range	DC 22 ... 28.8 V (adjustable)
Factory preset	DC 24 V
Nominal output current $I_{o\ nom}$	5 A (24 VDC)
Adjustment accuracy	≤ 2 %
Residual ripple	≤ 100 mV (peak-to-peak)
Current limitation	$1.1 \times I_{o\ nom}$ typ.
Overload behavior	Constant current

Signaling and communication

Operation status indicator	LED green (24 V OK)
----------------------------	---------------------

Efficiency/Power losses:

Power loss P_l	≤ 10 W (230 VAC; no load)
Max. power loss $P_{v\ max.}$	13 W (90 VAC / 24 VDC; 5 A)
Efficiency (typ.)	90 %

Fuse protection:

Internal fuse	T 4 A / 250 VAC
External fuse (required)	an external DC fuse required for DC input voltage
External fuse (recommended)	Circuit breakers C10 or B10

Safety and protection:

Insulation voltage (PRI-SEC)	DC 4.242 kV
Isolation voltage (PRI-GND)	DC 2.2 kV
Insulation voltage (SEC-GND)	DC 0.7 kV
Protection class	I
Protection class	IP20 (per EN 60529)
Feedback voltage	≤ DC 30 V

Subject to changes. Please also observe the further product documentation!



Transient protection, primary	Varistor
Overvoltage protection, secondary	Internal protective circuit ≤ 40 VDC (in case of an error)
Short circuit protection	Yes
No-load proof	Yes
Parallel operation	Yes
Series connection	Yes

Connection data

Connection type (1)	Input/Output
Connection technology	CAGE CLAMP®
WAGO terminal	WAGO 231 Series
Solid conductor	0.08 ... 2.5 mm ² / 28 ... 12 AWG
Fine-stranded conductor	0.08 ... 2.5 mm ² / 28 ... 12 AWG
Strip length	8 ... 9 mm / 0.31 ... 0.35 inch
Note (conductor cross-section)	12 AWG: THHN, THWN

Geometrical Data

Width	67 mm / 2.638 inch
Height from upper-edge of DIN-35 rail	133 mm / 5.236 inch
Length from upper-edge of DIN-35 rail	120 mm / 4.724 inch

Mechanical data

Type of mounting	DIN-35 rail (EN 60715)
------------------	------------------------

Material Data

Fire load	4.8 MJ
Weight	790 g

Environmental Requirements

Surrounding air (operating) temperature	-10 ... 70 °C
Surrounding air (storage) temperature	-25 ... 85 °C
Relative humidity	30 ... 85 % (no condensation permissible)
Derating	-3 %/K (> 50 °C)
Pollution degree	2
Climatic category	3K3 (per EN 60721)

Subject to changes. Please also observe the further product documentation!

WAGO Kontakttechnik GmbH & Co. KG
 Hansastr. 27
 32423 Minden
 Phone: +49571 887-0 | Fax: +49571 887-169
 Email: info.de@wago.com | Web: www.wago.com

Do you have any questions about our products?
 We are always happy to take your call at +49 (571) 887-44222.

Standards and specifications


Conformity marking	CE
Standards/specifications	EN 60950-1; EN 61204-3; UL 60950; UL 508; GL

Commercial data



Product Group	6 (Interface Electronics)
Packaging type	BOX
Country of origin	DE
GTIN	4045454435349
Customs Tariff No.	85044082900

Approvals / Certificates

Ship Approvals

Logo	Approval	Additional Approval Text	Certificate name
	DNV GL Det Norske Veritas, Germanischer Lloyd	-	TAA00002J6

UL-Approvals

Logo	Approval	Additional Approval Text	Certificate name
	UL Underwriters Laboratories Inc.	UL 60950-1	E255815
	UL Underwriters Laboratories Inc.	UL 508	E255817

Counterpart

Downloads

Documentation

Bid Text

Subject to changes. Please also observe the further product documentation!

WAGO Kontakttechnik GmbH & Co. KG
 Hansastr. 27
 32423 Minden
 Phone: +49571 887-0 | Fax: +49571 887-169
 Email: info.de@wago.com | Web: www.wago.com

Do you have any questions about our products?
 We are always happy to take your call at +49 (571) 887-44222.



787-622 GAEB X81 - Datei	Jun 13, 2019	xml 6.9 kB	Download
-----------------------------	--------------	---------------	----------

787-622 GAEB docx - Datei	Jun 13, 2019	docx 21.1 kB	Download
------------------------------	--------------	-----------------	----------

Instruction Leaflet

Primär getaktete Stromversorgungen EPSITRON-CLASSIC-Power DC 24 V, 5 A		pdf 246.0 kB	Download
---	--	-----------------	----------

Additional Information

Disposal; Electrical and electronic equipment, Packaging	V 1.0.0	pdf 265.8 kB	Download
--	---------	-----------------	----------

CAD/CAE-Data

CAD data

2D/3D Models 787-622		URL	Download
----------------------	--	-----	----------

CAE data

EPLAN Data Portal 787-622		URL	Download
---------------------------	--	-----	----------

WSCAD Universe 787-622		URL	Download
------------------------	--	-----	----------

Installation Notes

Product family

Classic

[Show all products from the family](#)

Subject to changes. Please also observe the further product documentation!