

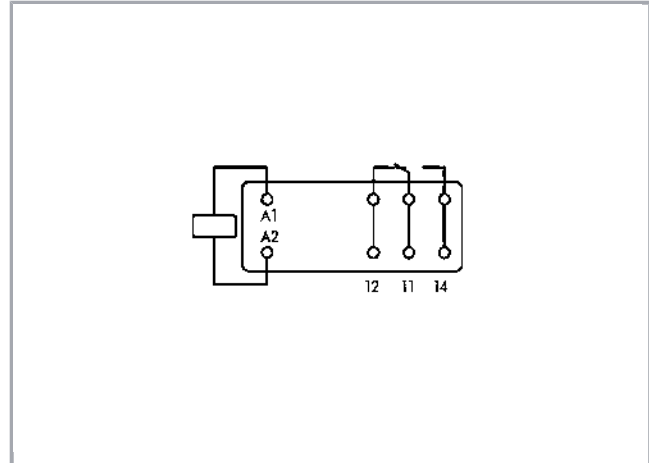
This item has been discontinued and as of 25.11.2019, can no longer be delivered.



Data sheet | Item number: 788-184

Basic relay; Nominal input voltage: 24 VDC; 1 changeover contact

www.wago.com/788-184



RoHS 
Compliant

[BOMcheck.net](https://www.bomcheck.net)

Subject to changes. Please also observe the further product documentation!

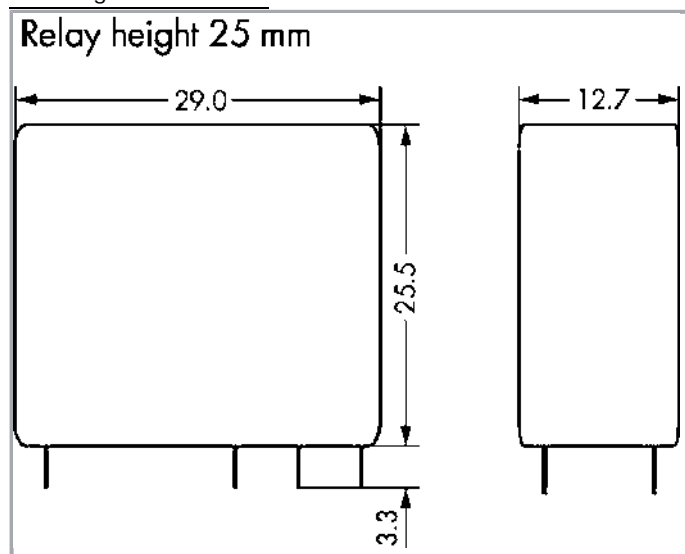
WAGO Kontakttechnik GmbH & Co. KG
Hansastr. 27
32423 Minden
Phone: +49571 887-0 | Fax: +49571 887-169
Email: info.de@wago.com | Web: www.wago.com

Do you have any questions about our products?
We are always happy to take your call at +49 (571) 887-44222.



Data sheet | Item number: 788-184

www.wago.com/788-184



Data

Technical Data

Control circuit

Nominal input voltage U_N	DC 24 V
Nominal input current at U_N	0

Load circuit:

Number of changeover/switchover contacts	1
Contact material (relay)	AgCdO
Limiting continuous current	16 A
Max. switching voltage	AC 250 V
Max. switching power (resistive)	AC 4000 VA
Pull-in time (typ.)	9 ms
Drop-out time (typ.)	3 ms

Safety and protection:

Dielectric strength, control/load circuit (AC, 1 min)	5 kVrms
Dielectric strength open contact (AC, 1 min)	1 kVrms
Protection class	IP40

Subject to changes. Please also observe the further product documentation!

This item has been discontinued and as of 25.11.2019, can no longer be delivered.



Data sheet | Item number: 788-184

www.wago.com/788-184

Geometrical Data

Width	12.7 mm / 0.5 inch
Height from the surface	25.5 mm / 1.004 inch
Depth	29 mm / 1.142 inch

Mechanical data

Type of mounting	Pluggable module
------------------	------------------

Material Data

Fire load	0.26 MJ
Weight	17.3 g

Environmental Requirements

Surrounding air (operating) temperature at U_N	-40 ... 85 °C
--	---------------

Commercial data

Product Group	6 (Interface Electronics)
Packaging type	BOX
Country of origin	CZ
GTIN	4050821867968
Customs Tariff No.	85364900990

Counterpart

Downloads

Documentation

Additional Information

Disposal; Electrical and electronic equipment, Packaging	V 1.0.0	pdf 265.8 kB	Download
--	---------	-----------------	----------

CAD/CAE-Data

CAE data

Subject to changes. Please also observe the further product documentation!

WAGO Kontakttechnik GmbH & Co. KG
Hansastr. 27
32423 Minden
Phone: +49571 887-0 | Fax: +49571 887-169
Email: info.de@wago.com | Web: www.wago.com

Do you have any questions about our products?
We are always happy to take your call at +49 (571) 887-44222.

This item has been discontinued and as of 25.11.2019, can no longer be delivered.



[URL](#)

[Download](#)

Data sheet | Item number: 788-184

www.wago.com/788-184

WSCAD Universe 788-184

Installation Notes

Subject to changes. Please also observe the further product documentation!

WAGO Kontakttechnik GmbH & Co. KG

Hansastr. 27

32423 Minden

Phone: +49571 887-0 | Fax: +49571 887-169

Email: info.de@wago.com | Web: www.wago.com

Do you have any questions about our products?

We are always happy to take your call at +49 (571) 887-44222.