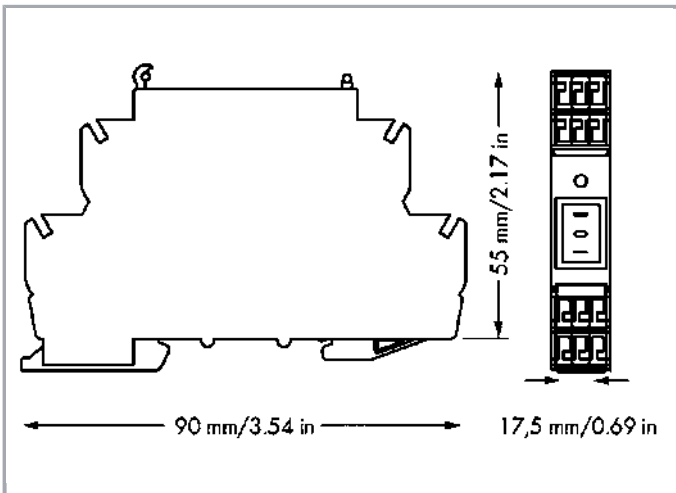
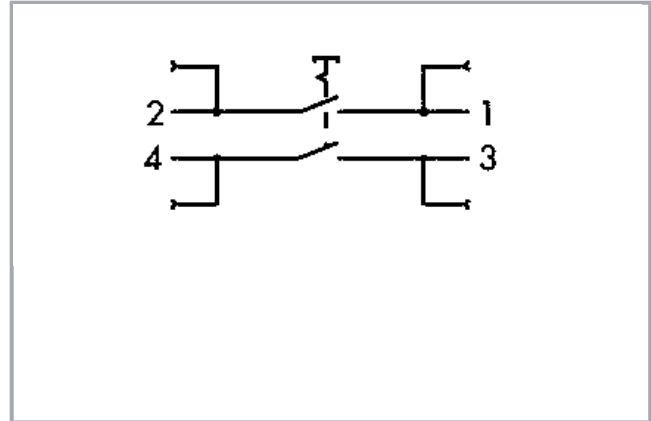


Data sheet | Item number: 789-802

Switching module; with 2-pole circuit breaker; Switching voltage: 250 VAC;

Switching current: 16 A

[www.wago.com/789-802](http://www.wago.com/789-802)



Data

Electrical data

Operating voltage

≤ AC 250 V

Subject to changes. Please also observe the further product documentation!

WAGO Kontakttechnik GmbH & Co. KG  
Hansastr. 27  
32423 Minden  
Phone: +49571 887-0 | Fax: +49571 887-169  
Email: [info.de@wago.com](mailto:info.de@wago.com) | Web: [www.wago.com](http://www.wago.com)

Do you have any questions about our products?  
We are always happy to take your call at +49 (571) 887-44222.



Current consumption at supply voltage	0
Max. switching current (resistive)	16 A
Inrush current max.	100 A (capazitive)
Max. switching voltage	AC 250 V
Contact resistance	≤ 100 mΩ (12 V/1 ADC; new condition)
Insulation resistance	≥ 100 MΩ (500 VDC; new condition)
Contact gap	≥ 3 mm
Electrical life (N.O.; resistive load; 23 °C)	10 x 10 <sup>3</sup> switching operations
Mechanical life	50 x 10 <sup>3</sup> switching operations

### Safety and protection:

Rated voltage	250 V
Rated impulse voltage	4 kV
Pollution degree	2
Dielectric strength open contact (AC, 1 min)	1.25

### Connection data

Connection technology	CAGE CLAMP®
Solid conductor	02 ... 2.5 mm <sup>2</sup> / 24 ... 14 AWG
Fine-stranded conductor	0.2 ... 2.5 mm <sup>2</sup> / 24 ... 14 AWG
Strip length	9 ... 10 mm / 0.35 ... 0.39 inch

### Geometrical Data

Width	17.5 mm / 0.689 inch
Height from upper-edge of DIN-35 rail	55 mm / 2.165 inch
Depth	90 mm / 3.543 inch

### Mechanical data

Type of mounting	DIN-35 rail
Housing design	DIN-rail-mount enclosure

### Material Data

Contact material (switch)	Ag alloy
Fire load	1.098 MJ
Weight	45.9 g

Subject to changes. Please also observe the further product documentation!

## Environmental Requirements

Surrounding air (operating) temperature at U <sub>N</sub>	-20 ... 55 °C
Surrounding air (storage) temperature	-40 ... 80 °C

## Commercial data

Product Group	6 (Interface Electronics)
Packaging type	BOX
Country of origin	DE
GTIN	4050821274810
Customs Tariff No.	85365080900

## Counterpart

## Compatible products

### Jumper



**Item no.: 789-112**

Push-in type jumper bar; 12-way; Nominal current 16 A; unplated; silver-colored

[www.wago.com/789-112](http://www.wago.com/789-112)

### Marking accessories



**Item no.: 248-504**

Mini-WSB marking card; as card; MARKED; 21 ... 30 (10x); not stretchable; Horizontal marking; snap-on type; white

[www.wago.com/248-504](http://www.wago.com/248-504)

### ferrule



**Item no.: 216-241**

Ferrule; Sleeve for 0.5 mm<sup>2</sup> / 20 AWG; insulated; electro-tin plated; electrolytic copper; gastight crimped; acc. to DIN 46228, Part 4/09.90; white

[www.wago.com/216-241](http://www.wago.com/216-241)



**Item no.: 216-242**

Ferrule; Sleeve for 0.75 mm<sup>2</sup> / 18 AWG; insulated; electro-tin plated; electrolytic copper; gastight crimped; acc. to DIN 46228, Part 4/09.90; gray

[www.wago.com/216-242](http://www.wago.com/216-242)



**Item no.: 216-243**

Ferrule; Sleeve for 1 mm<sup>2</sup> / AWG 18; insulated; electro-tin plated; electrolytic copper; gastight crimped; acc. to DIN 46228, Part 4/09.90; red

[www.wago.com/216-243](http://www.wago.com/216-243)



**Item no.: 216-244**

Ferrule; Sleeve for 1.5 mm<sup>2</sup> / AWG 16; insulated; electro-tin plated; electrolytic copper; gastight crimped; acc. to DIN 46228, Part 4/09.90; black

[www.wago.com/216-244](http://www.wago.com/216-244)

### tools

**Item no.: 210-720**

Subject to changes. Please also observe the further product documentation!

WAGO Kontakttechnik GmbH & Co. KG

Hansastr. 27

32423 Minden

Phone: +49571 887-0 | Fax: +49571 887-169

Email: [info.de@wago.com](mailto:info.de@wago.com) | Web: [www.wago.com](http://www.wago.com)

Do you have any questions about our products?

We are always happy to take your call at +49 (571) 887-44222.



Operating tool; Blade: 3.5 x 0.5 mm; with a partially insulated shaft

[www.wago.com/210-720](http://www.wago.com/210-720)

## Downloads

### Documentation

#### Bid Text

789-802	Feb 10, 2015	doc	Download
doc - Datei		26.1 kB	

789-802	Feb 19, 2019	xml	Download
GAEB X81 - Datei		3.9 kB	

#### Instruction Leaflet

	pdf	Download
	1.3 MB	

#### Additional Information

Disposal; Electrical and electronic equipment, Packaging	V 1.0.0	pdf	Download
		265.8 kB	

## CAD/CAE-Data

### CAD data

2D/3D Models 789-802	URL	Download
----------------------	-----	----------

### CAE data

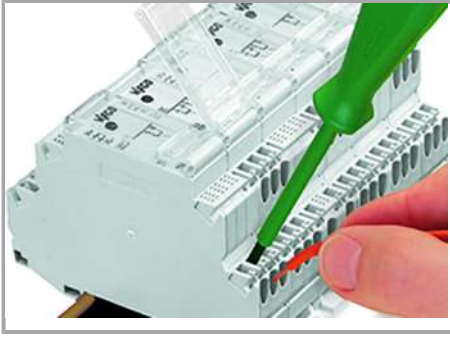
EPLAN Data Portal 789-802	URL	Download
---------------------------	-----	----------

WSCAD Universe 789-802	URL	Download
------------------------	-----	----------

## Installation Notes

### Inserting a conductor

Subject to changes. Please also observe the further product documentation!



Connection of conductor.

Subject to changes. Please also observe the further product documentation!