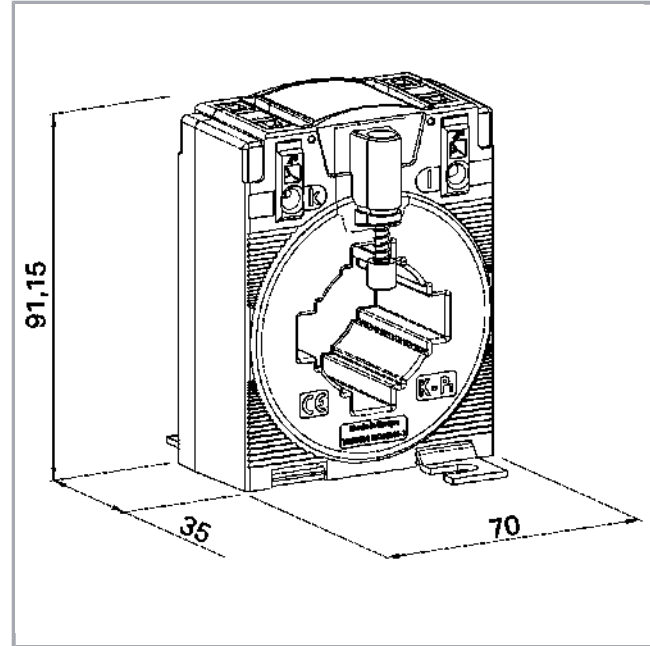


Data sheet | Item number: 855-401/600-501

Plug-in current transformer; Primary rated current: 600 A; Secondary rated current: 1 A; Rated power: 10 VA; Accuracy class: 1



[www.wago.com/855-401\\_600-501](http://www.wago.com/855-401_600-501)



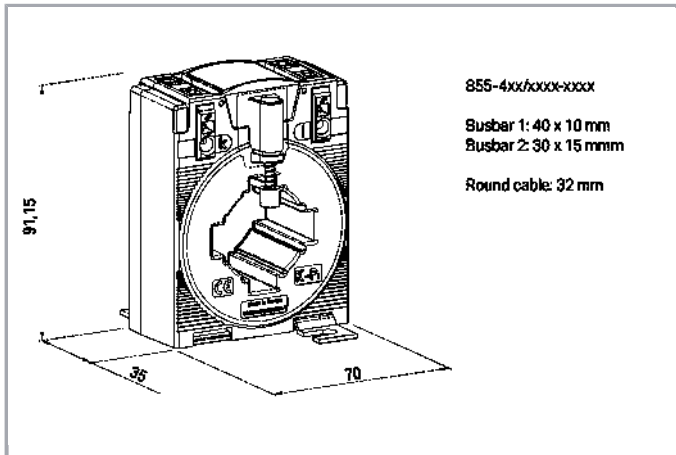
RoHS  Compliant

BOMcheck.net

Subject to changes. Please also observe the further product documentation!

WAGO Kontakttechnik GmbH & Co. KG  
Hansastr. 27  
32423 Minden  
Phone: +49571 887-0 | Fax: +49571 887-169  
Email: [info.de@wago.com](mailto:info.de@wago.com) | Web: [www.wago.com](http://www.wago.com)

Do you have any questions about our products?  
We are always happy to take your call at +49 (571) 887-44222.



## Item description

### Short description:

These plug-in units (855 Series) are inductive, single-conductor current transformers. Due to the measurement principle used, these current transformers are exclusively designed for AC network applications.

### Features:

- Screwless CAGE CLAMP® connection technology
- Several mounting options available
- Vibration- and shock-resistant
- High mechanical retention forces
- High current-carrying capacity
- Continuous overload of 120% the nominal primary current
- Low-voltage current transformer for operating voltages up to max. 1.2 kV
- For 690 V power networks
- UL recognized components

## Data

### Technical Data

#### Input – current transformer

Primary rated current	600 A
Rated continuous thermal current $I_{cth}$	$1.2 \times I_N$
Rated short-time thermal current $I_{th}$	$60 \times I_N / 1 \text{ s}$ (max. 100 kA / 1 s)
Overcurrent limiting factor	FS5 / FS10 (type dependent; see type plate inscription)
Rated frequency	50 ... 60 Hz

Subject to changes. Please also observe the further product documentation!

## Output – Current transformer

Secondary rated current	1 A
Rated power $S_r$	5 VA

## Measurement error

Accuracy class	1
----------------	---

## Safety and protection:

Highest voltage for equipment $U_m$	AC 1,2 kV <sub>rms</sub>
Test voltage	AC 6 kV; 50 Hz; 1 min

## Connection data

Connection technology	CAGE CLAMP®
Solid conductor	0,08 ... 4 mm <sup>2</sup> / 28 ... 12 AWG
Fine-stranded conductor	0,08 ... 4 mm <sup>2</sup> / 28 ... 12 AWG
Strip length	9 ... 10 mm / 0.35 ... 0.39 inch

## Geometrical Data

Width	70 mm / 2.756 inch
Height	91,15 mm / 3.589 inch
Depth	52 mm / 2.047 inch

## Mechanical data

Type of mounting	Closed current transformer Installation on mounting plate Mounting on DIN-rail via DIN-rail adapter Mounting on round cable
------------------	--

## Material Data

Insulation class	E
Weight	318.2 g

## Environmental Requirements

Surrounding air (operating) temperature	-5 ... 50 °C
---	--------------

Subject to changes. Please also observe the further product documentation!

Surrounding air (storage) temperature	-25 ... 70 °C
Max. operating altitude	1000 m

## Standards and specifications


Conformity marking	CE
Standards/specifications	EN 61869-1; EN 61869-2; UL: E356480

## Commercial data

Packaging type	BOX
Country of origin	DE
GTIN	4055143262521
Customs Tariff No.	85043129900

## Approvals / Certificates





### UL-Approvals

Logo	Approval	Additional Approval Text	Certificate name
	UL Underwriters Laboratories Inc.	-	E356480

## Counterpart

## Compatible products

### General accessories

	<b>Item no.: 2007-8873</b> Compact terminal block; for current and voltage transformers; 6,00 mm <sup>2</sup> ; multicoloured	<a href="http://www.wago.com/2007-8873">www.wago.com/2007-8873</a>
	<b>Item no.: 2007-8874</b> Compact terminal block; for current and voltage transformers; 6,00 mm <sup>2</sup> ; multicoloured	<a href="http://www.wago.com/2007-8874">www.wago.com/2007-8874</a>
	<b>Item no.: 2007-8875</b> Compact terminal block; for current transformer circuit; 6,00 mm <sup>2</sup> ; multicoloured	<a href="http://www.wago.com/2007-8875">www.wago.com/2007-8875</a>
	<b>Item no.: 2007-8876</b> Compact terminal block; for 3-phase current transformer circuit; 6,00 mm <sup>2</sup> ; multicoloured	<a href="http://www.wago.com/2007-8876">www.wago.com/2007-8876</a>

Subject to changes. Please also observe the further product documentation!



**Item no.: 2007-8877**  
Compact terminal block; for current transformer circuit; 6,00 mm<sup>2</sup>; multicoloured

[www.wago.com/2007-8877](http://www.wago.com/2007-8877)



**Item no.: 2857-570/024-001**  
3-Phase Power Measurement Module; 3x400/690 V/1 A; Modbus RTU; Digital output; Configuration via software; Supply voltage: 24 VDC

[www.wago.com/2857-570/024-001](http://www.wago.com/2857-570/024-001)



**Item no.: 857-550**  
Current signal conditioner; Current input signal; Current and voltage output signal; Digital output; Configuration via software; Supply voltage: 24 VDC; 6 mm module width; 2,50 mm<sup>2</sup>

[www.wago.com/857-550](http://www.wago.com/857-550)

**assembling**



**Item no.: 855-9900**  
Carrier rail adapter

[www.wago.com/855-9900](http://www.wago.com/855-9900)



**Item no.: 855-9910**  
Quick-mount kit

[www.wago.com/855-9910](http://www.wago.com/855-9910)

**tools**



**Item no.: 210-720**  
Operating tool; Blade: 3.5 x 0.5 mm; with a partially insulated shaft

[www.wago.com/210-720](http://www.wago.com/210-720)

**Downloads**

**Documentation**

**Bid Text**

855-401/600-501 doc - Datei	Dec 11, 2017	doc 32.3 kB	Download
855-401/600-501 GAEB X81 - Datei	Feb 19, 2019	xml 5.0 kB	Download

**Additional Information**

Disposal; Electrical and electronic equipment, Packaging	V 1.0.0	pdf 265.8 kB	Download
--	---------	-----------------	----------

**Engineering-Software**

**Software for Interface-Products**

WAGO Interface Configuration Software FULL The full setup, in addition to the WAGO Interface Configuration Software, includes the installation for the Microsoft .NET Framework.	1.6.3.7 Sep 17, 2019	exe 98.5 MB	Download
WAGO Interface Configuration Software SMALL	1.6.3.7 Sep 17, 2019	exe 48.0 MB	Download

Subject to changes. Please also observe the further product documentation!

WAGO Kontakttechnik GmbH & Co. KG  
Hansastr. 27  
32423 Minden  
Phone: +49571 887-0 | Fax: +49571 887-169  
Email: [info.de@wago.com](mailto:info.de@wago.com) | Web: [www.wago.com](http://www.wago.com)

Do you have any questions about our products?  
We are always happy to take your call at +49 (571) 887-44222.

The full setup only includes the WAGO Interface Configuration Software.

## CAD/CAE-Data

### CAD data

2D/3D Models 855-401/600-501

[URL](#)

[Download](#)

### CAE data

EPLAN Data Portal 855-401/600-501

[URL](#)

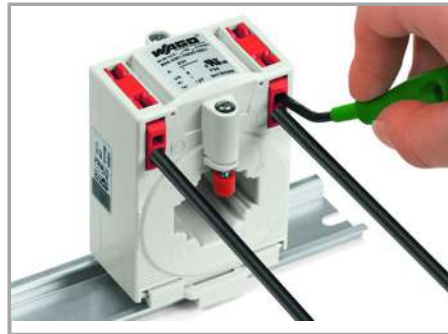
[Download](#)

## Installation Notes

### Conductor termination

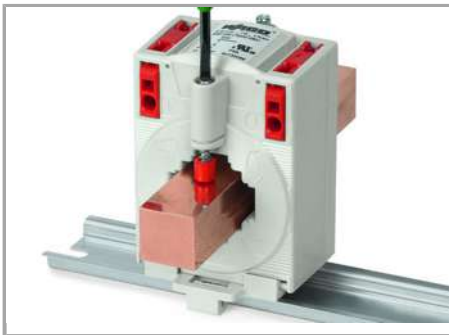


Inserting a conductor – Operating tool actuation perpendicular to conductor entry.



Inserting a conductor – Operating tool actuation parallel to conductor entry.

### Installation



Mounting on copper carrier rail



Mounting on round cable



Secured to mounting plate

Subject to changes. Please also observe the further product documentation!



Mounting on DIN-rail via carrier rail adapter  
855-9900



Mounting via quick-mount kit 855-9910

Subject to changes. Please also observe the further product documentation!