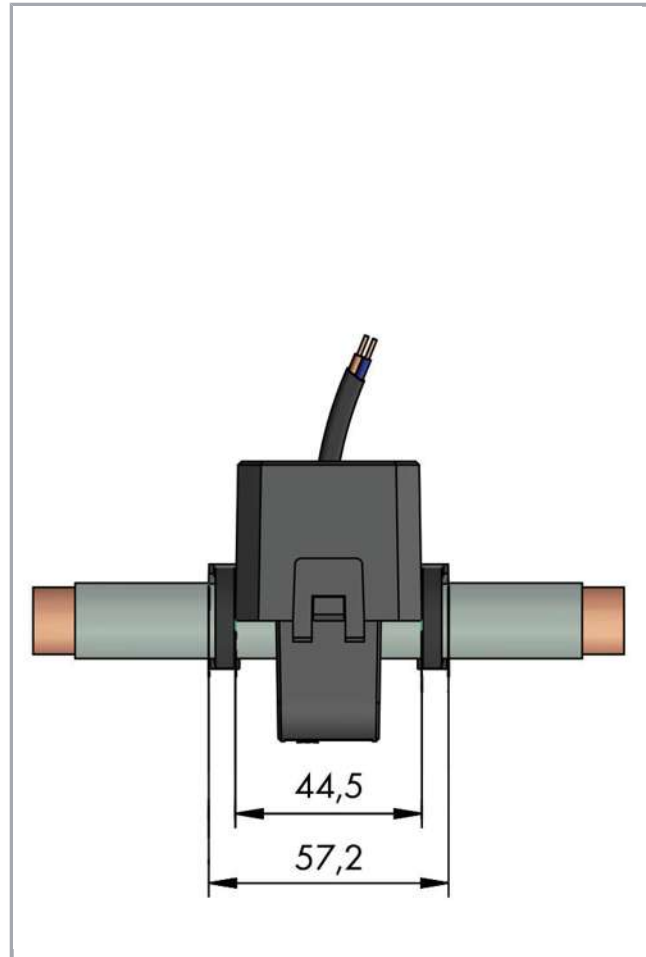


Data sheet | Item number: 855-4105/400-101

Split-core current transformer; Primary rated current: 400 A; Secondary rated current: 5 A; Rated power: 1 VA; Accuracy class: 1; Cable length: 0.5 m



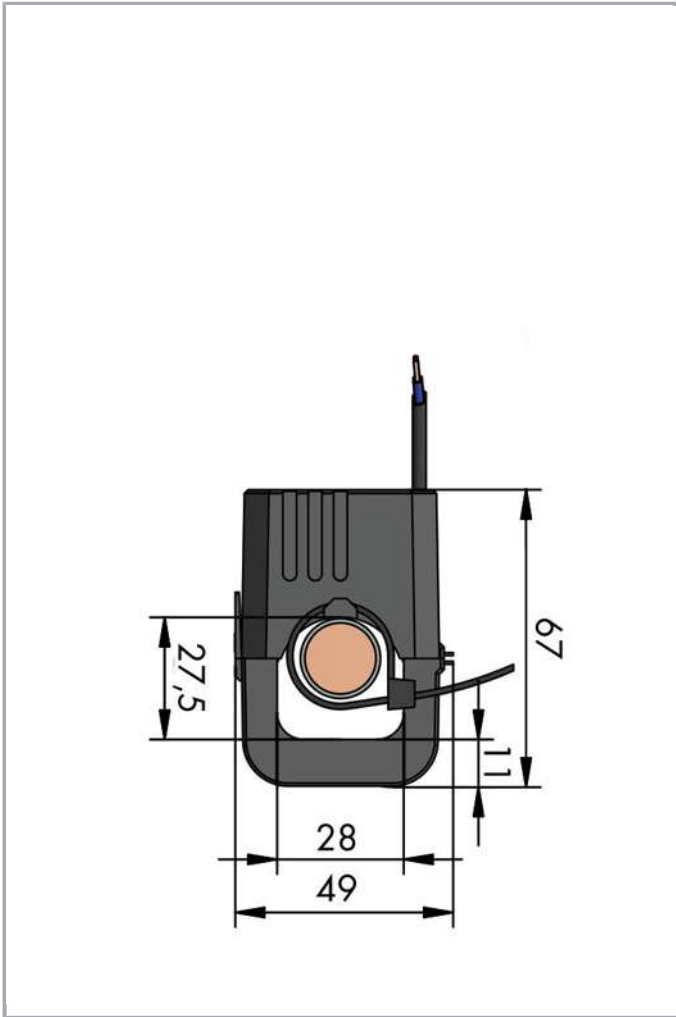
[www.wago.com/855-4105\\_400-101](http://www.wago.com/855-4105_400-101)



Subject to changes. Please also observe the further product documentation!

WAGO Kontakttechnik GmbH & Co. KG  
Hansastr. 27  
32423 Minden  
Phone: +49571 887-0 | Fax: +49571 887-169  
Email: [info.de@wago.com](mailto:info.de@wago.com) | Web: [www.wago.com](http://www.wago.com)

Do you have any questions about our products?  
We are always happy to take your call at +49 (571) 887-44222.



## Item description

### Short description:

These compact split-core current transformers are ideal for retrofitting existing systems. They are perfect for applications in which the current path must not be disrupted. The transformer's accuracy permits extremely precise current measurements. The split-core current transformers are capable of supplying the specified rated power at the end of the secondary cable. All transformers are supplied with color-coded cables. Two UV-resistant cable ties are also included for secure and easy mounting.

### Features:

- Current ratios from 60 A up to 1000 A (primary side) and 1 A or 5 A (secondary side)
- No primary cable interruption
- Ideal for use in very confined spaces
- Rapid mounting
- For use around insulated cables up to 42 mm diameter
- Compact and hinged

Subject to changes. Please also observe the further product documentation!

- Color-coded connection cables up to 5 m

## Data

### Technical Data

#### Input – current transformer

Primary rated current	400 A
Rated continuous thermal current $I_{cth}$	100 %
Rated short-time thermal current $I_{th}$	$60 \times I_N / 1 \text{ s}$
Rated surge current $I_{dyn}$	$2.5 \times I_{th}$
Rated frequency	50 ... 60 Hz

#### Output – Current transformer

Secondary rated current	5 A
Rated power $S_r$	1 VA

#### Measurement error

Accuracy class	1
----------------	---

#### Safety and protection:

Highest voltage for equipment $U_m$	AC 720 V <sub>rms</sub>
Test voltage	AC 3 kV; 50 Hz; 1 min
Protection class	IP20

#### Connection data

Feedthrough for measurement conductor	Ø 28 mm
Type of cable	2 x 1.5 mm <sup>2</sup> ; fine-stranded
Color coding	Black = S1; red = S2

#### Geometrical Data

Cable length	0.5 m
--------------	-------

Subject to changes. Please also observe the further product documentation!

## Mechanical data

Type of mounting	Split-core current transformer (suspended)
------------------	--

## Material Data

Insulation class	E
Flammability class per UL94	V2
Housing material	PA 66
Weight	263 g

## Environmental Requirements

Surrounding air (operating) temperature	-10 ... 55 °C
Surrounding air (storage) temperature	-20 ... 70 °C
Relative humidity	5 ... 85 % (without condensation)
Max. operating altitude	2000 m

## Standards and specifications

Conformity marking	CE
Standards/specifications	EN 61869-1; EN 61869-2

## Commercial data

Product Group	29 (Interface Electronic (NET))
Packaging type	BOX
Country of origin	NL
GTIN	4055143056366
Customs Tariff No.	85043180888

## Counterpart

## Compatible products

### General accessories



Item no.: 2007-8873

Compact terminal block; for current and voltage transformers; 6,00 mm<sup>2</sup>; multicoloured

[www.wago.com/2007-8873](http://www.wago.com/2007-8873)









Item no.: 2007-8874

Compact terminal block; for current and voltage transformers; 6,00 mm<sup>2</sup>; multicoloured

[www.wago.com/2007-8874](http://www.wago.com/2007-8874)

Subject to changes. Please also observe the further product documentation!

	<b>Item no.: 2007-8875</b> Compact terminal block; for current transformer circuit; 6,00 mm <sup>2</sup> ; multicoloured	<a href="http://www.wago.com/2007-8875">www.wago.com/2007-8875</a>
	<b>Item no.: 2007-8876</b> Compact terminal block; for 3-phase current transformer circuit; 6,00 mm <sup>2</sup> ; multicoloured	<a href="http://www.wago.com/2007-8876">www.wago.com/2007-8876</a>
	<b>Item no.: 2007-8877</b> Compact terminal block; for current transformer circuit; 6,00 mm <sup>2</sup> ; multicoloured	<a href="http://www.wago.com/2007-8877">www.wago.com/2007-8877</a>
	<b>Item no.: 2857-570/024-005</b> 3-Phase Power Measurement Module; 3x400/690 V/5 A; Modbus RTU; Digital output; Configuration via software; Supply voltage: 24 VDC	<a href="http://www.wago.com/2857-570/024-005">www.wago.com/2857-570/024-005</a>
	<b>Item no.: 857-550</b> Current signal conditioner; Current input signal; Current and voltage output signal; Digital output; Configuration via software; Supply voltage: 24 VDC; 6 mm module width; 2,50 mm <sup>2</sup>	<a href="http://www.wago.com/857-550">www.wago.com/857-550</a>
	<b>Item no.: 857-569</b> Power signal conditioner; Current and voltage input signal; Current and voltage output signal; Digital output; Configuration via software; Supply voltage: 24 VDC; 6 mm module width	<a href="http://www.wago.com/857-569">www.wago.com/857-569</a>

## Downloads

### Documentation

#### Bid Text

855-4105/400-101 doc - Datei	Mar 24, 2015	doc 31.7 kB	Download
855-4105/400-101 GAEB X81 - Datei	Feb 19, 2019	xml 5.3 kB	Download

#### Instruction Leaflet

Kabelumbau-Stromwandler	V 1.1.0 Jan 15, 2020	pdf 832.5 kB	Download
-------------------------	-------------------------	-----------------	----------

#### Additional Information

Disposal; Electrical and electronic equipment, Packaging	V 1.0.0	pdf 265.8 kB	Download
--	---------	-----------------	----------

## Engineering-Software

### Software for Interface-Products

WAGO Interface Configuration Software FULL	1.6.3.7 Sep 17, 2019	exe 98.5 MB	Download
--	-------------------------	----------------	----------

Subject to changes. Please also observe the further product documentation!

The full setup, in addition to the WAGO Interface Configuration Software, includes the installation for the Microsoft .NET Framework.

---

WAGO Interface Configuration Software SMALL	1.6.3.7	exe	Download
The full setup only includes the WAGO Interface Configuration Software.	Sep 17, 2019	48.0 MB	

---

## Installation Notes

### Installation



Simple termination!



Quick and easy mounting!



Subject to changes. Please also observe the further product documentation!