



Data sheet | Item number: 855-9100/500-000

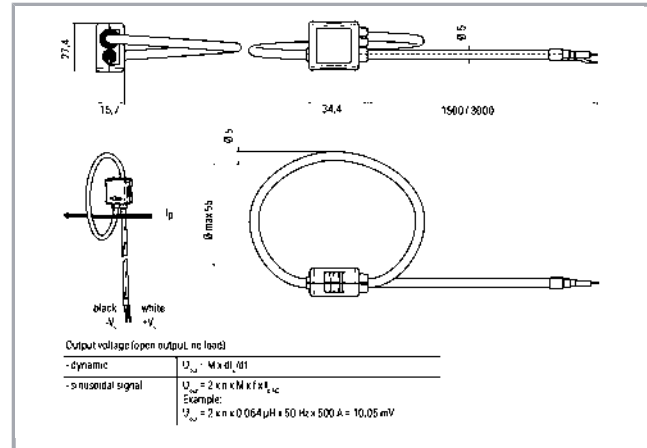
Rogowski coil; Primary rated current: 500 A; Output signal: 10.05 mV; Cable length: 1.5 m

www.wago.com/855-9100_500-000



RoHS
Compliant ✓

BOMcheck.net



Item description

Short description:

This Rogowski coil is a closed-air coil with non-magnetic split core, and is placed around a cable or current bar.

The magnetic field produced by the AC current flowing through the conductor induces an output voltage in the coil.

This measurement procedure electrically isolates the primary circuit (power) and secondary circuit (measurement).

Easy mounting of the Rogowski coils allows existing systems to be retrofitted without time-consuming installation or process interruption.

The Rogowski coil can be used together with the 789-652 Signal Conditioner or the 857-552 Rogowski Signal Conditioner.

Features:

- Split-core style coil for easy installation
- 55 mm Ø coil aperture for non-contact measurement
- 1.5 m or 3 m connection cable
- Insulated plastic case (UL 94-V0 recognized)

Subject to changes. Please also observe the further product documentation!

WAGO Kontakttechnik GmbH & Co. KG

Hansastr. 27

32423 Minden

Phone: +49571 887-0 | Fax: +49571 887-169

Email: info.de@wago.com | Web: www.wago.com

Do you have any questions about our products?

We are always happy to take your call at +49 (571) 887-44222.

This item has been discontinued and as of 05.07.2019, can no longer be delivered.



Data sheet | Item number: 855-9100/500-000

www.wago.com/855-9100_500-000

Data

Technical Data

Input – current transformer

Primary rated current	500 A
Rated frequency	50 Hz
Mutual inductance M	64 nH

Output – Analog

Sensitivity	10.05 mV (at 500 A; 50 Hz, sinusoidal)
Max. output signal	30 V

Signal processing

Max. operating frequency	700 kHz (open output (no load))
--------------------------	---------------------------------

Measurement error

Positioning error	±0,7 %
Temperature coefficient	≤ 30 ppm/K; related to transfer ratio M

Safety and protection:

Rated insulation voltage	300 VAC _{rms} (Cat. III)
Comparative Tracking Index (CTI, group I)	600 V (plastic parts)
Voltage for isolation test	AC 3,5 kV; 50 Hz; 1 min
Impulse withstand voltage (1.2/50 µs)	6.5 kV
Protection class	IP2X

Geometrical Data

Cable length	1.5 m
--------------	-------

Mechanical data

Type of mounting	Split-core current transformer (suspended)
------------------	--

Material Data

Weight	85 g
--------	------

Subject to changes. Please also observe the further product documentation!

WAGO Kontakttechnik GmbH & Co. KG
Hansastr. 27
32423 Minden
Phone: +49571 887-0 | Fax: +49571 887-169
Email: info.de@wago.com | Web: www.wago.com

Do you have any questions about our products?
We are always happy to take your call at +49 (571) 887-44222.

This item has been discontinued and as of 05.07.2019, can no longer be delivered.



Data sheet | Item number: 855-9100/500-000

www.wago.com/855-9100_500-000

Environmental Requirements

Surrounding air (operating) temperature	-40 ... 80 °C
Surrounding air (storage) temperature	-40 ... 80 °C
Relative humidity	≤ 90% (without condensation)
Max. operating altitude	2000 m

Standards and specifications

Conformity marking	CE
--------------------	----

Commercial data

Packaging type	BOX
Country of origin	BG
GTIN	4050821579762
Customs Tariff No.	90303370000

Counterpart

Compatible products

General accessories



Item no.: 789-652

Current signal conditioner; Input for Rogowski coils; 2,50 mm²

www.wago.com/789-652



Item no.: 857-552

Current signal conditioner; Input for Rogowski coils; Current and voltage output signal; Digital output; Configuration via software; Supply voltage: 24 VDC; 6 mm module width; 2,50 mm²

www.wago.com/857-552

Downloads

Documentation

Additional Information

Disposal; Electrical and electronic equipment, Packaging	V 1.0.0	pdf 265.8 kB	Download
--	---------	-----------------	----------

CAD/CAE-Data

CAE data

Subject to changes. Please also observe the further product documentation!

WAGO Kontakttechnik GmbH & Co. KG
Hansastr. 27
32423 Minden
Phone: +49571 887-0 | Fax: +49571 887-169
Email: info.de@wago.com | Web: www.wago.com

Do you have any questions about our products?
We are always happy to take your call at +49 (571) 887-44222.

This item has been discontinued and as of 05.07.2019, can no longer be delivered.



Data sheet | Item number: 855-9100/500-000

www.wago.com/855-9100_500-000

WSCAD Universe 855-9100/500-000

URL

Download

Installation Notes

Subject to changes. Please also observe the further product documentation!

WAGO Kontakttechnik GmbH & Co. KG

Hansastr. 27

32423 Minden

Phone: +49571 887-0 | Fax: +49571 887-169

Email: info.de@wago.com | Web: www.wago.com

Do you have any questions about our products?

We are always happy to take your call at +49 (571) 887-44222.