

Data sheet | Item number: 858-152

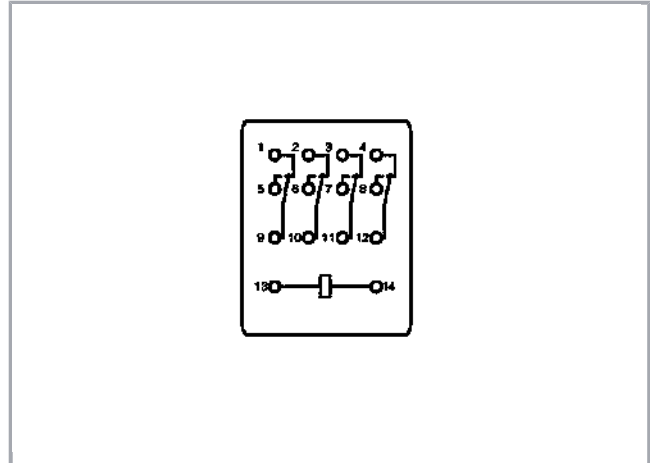
Basic relay; Nominal input voltage: 24 VDC; 4 changeover contacts; Limiting continuous current: 5 A; with gold contacts; with manual operation; Module width: 22 mm; Module height: 25 mm

www.wago.com/858-152



Similar to picture

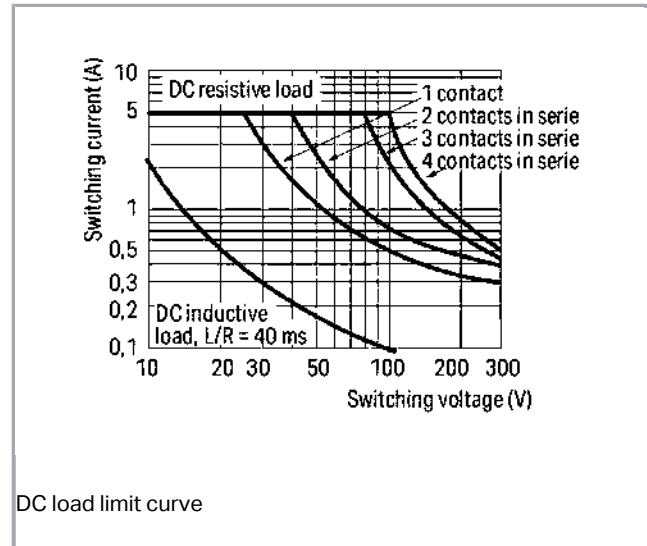
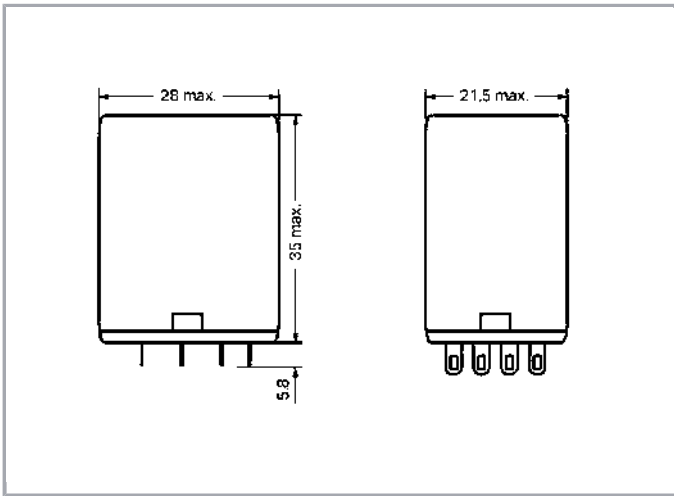
RoHS Compliant



Subject to changes. Please also observe the further product documentation!

WAGO Kontakttechnik GmbH & Co. KG
Hansastr. 27
32423 Minden
Phone: +49571 887-0 | Fax: +49571 887-169
Email: info.de@wago.com | Web: www.wago.com

Do you have any questions about our products?
We are always happy to take your call at +49 (571) 887-44222.



Item description

Note:

To prevent damaging the gold layer, 30 VDC switching voltages and 50 mA currents must not be exceeded. Higher switching power eventually evaporates the gold layer. The resulting deposits in the housing may reduce service life.

Data

Technical Data

Control circuit

Nominal input voltage U_N	DC 24 V
Nominal input current at U_N	36,9 mA

Load circuit:

Number of changeover/switchover contacts	4
Contact material (relay)	AgCe + Au
Limiting continuous current	5 A
Max. make current (resistive)	(AC) 15 A / 4 s
Max. switching voltage	AC 250 V
Max. switching power (resistive)	AC 1250 VA; DC (see load limit curve)
Recommended minimum load	5 V / 1 mA / 50 mW
Pull-in time (typ.)	25 ms

Subject to changes. Please also observe the further product documentation!



Drop-out time (typ.)	25 ms
Bounce time (typ)	4 ms
Electrical life (N.O.; resistive load; 23 °C)	100 x 10 ³ switching operations
Mechanical life	20 x 10 ⁶ switching operations

Signaling

Status indication	Red LED Mechanical
-------------------	-----------------------

Safety and protection:

Dielectric strength, control/load circuit (AC, 1 min)	1,5 kVrms
Dielectric strength open contact (AC, 1 min)	1 kVrms
Dielectric strength, load/load circuit (AC, 1 min)	1,5 kVrms
Protection class	IP20

Geometrical Data

Width	21,5 mm / 0.846 inch
Height from the surface	35 mm / 1.378 inch
Depth	28 mm / 1.102 inch

Mechanical data

Type of mounting	Pluggable module
------------------	------------------

Material Data

Weight	35 g
--------	------

Environmental Requirements

Surrounding air (operating) temperature at U _N	-25 ... 70 °C
Surrounding air (storage) temperature	-40 ... 80 °C

Standards and specifications

Standards/specifications	EN 61810-1
--------------------------	------------

Subject to changes. Please also observe the further product documentation!

Commercial data

Product Group	6 (Interface Electronics)
Packaging type	BOX
Country of origin	CN
GTIN	4055143532013
Customs Tariff No.	85364190890

Counterpart

Compatible products

General accessories



Item no.: 858-100
Relay socket; 4 changeover contacts

www.wago.com/858-100

Downloads

Documentation

Bid Text

858-152 GAEB X81 - Datei	Feb 19, 2019	xml 4.4 kB	Download
858-152 doc - Datei	Nov 29, 2017	doc 28.2 kB	Download

Additional Information

Disposal; Electrical and electronic equipment, Packaging	V 1.0.0	pdf 265.8 kB	Download
--	---------	-----------------	----------

CAD/CAE-Data

CAE data

EPLAN Data Portal 858-152	URL	Download
WSCAD Universe 858-152	URL	Download

Subject to changes. Please also observe the further product documentation!

WAGO Kontakttechnik GmbH & Co. KG
Hansastr. 27
32423 Minden
Phone: +49571 887-0 | Fax: +49571 887-169
Email: info.de@wago.com | Web: www.wago.com

Do you have any questions about our products?
We are always happy to take your call at +49 (571) 887-44222.



Installation Notes

Subject to changes. Please also observe the further product documentation!

WAGO Kontakttechnik GmbH & Co. KG
Hansastr. 27
32423 Minden
Phone: +49571 887-0 | Fax: +49571 887-169
Email: info.de@wago.com | Web: www.wago.com

Do you have any questions about our products?
We are always happy to take your call at +49 (571) 887-44222.