



# Electrical Interconnection

Supplementary Catalog to Full Line Catalogs, Volumes 1/2/5/6


Edition 2022/1

**WAGO**

**WAGO Rail-Mount Terminal Blocks and Connectors**

Full Line Catalog, Volume 1 – Edition 2021/2022

**1**


A collection of various rail-mount terminal blocks and connectors in different colors (grey, orange, blue, green) and sizes, arranged on a light grey background.

**WAGO**

**WAGO PCB Terminal Blocks and Connectors**

Full Line Catalog, Volume 2 – Edition 2021/2022

**2**

A green printed circuit board (PCB) with several WAGO PCB terminal blocks and connectors mounted on it, shown in an isometric view.

**WAGO**

**Automation Technology**

Full Line Catalog, Volume 3 – Edition 2021/2022

**3**

A collection of automation technology components, including a monitor, various terminal blocks, and connectors, arranged on a light grey background.

**WAGO**

**WAGO Electronic Interface**

Full Line Catalog, Volume 4 – Edition 2021/2022

**4**

A collection of various electronic interface components, including terminal blocks and connectors, arranged on a light grey background.

**WAGO**

**WAGO Pluggable Connection System WINSTA®**

Full Line Catalog, Volume 5 – Edition 2021/2022

**5**

A collection of various pluggable connection system components, including terminal blocks and connectors, arranged on a light grey background.

**WAGO**

**WAGO Marking**

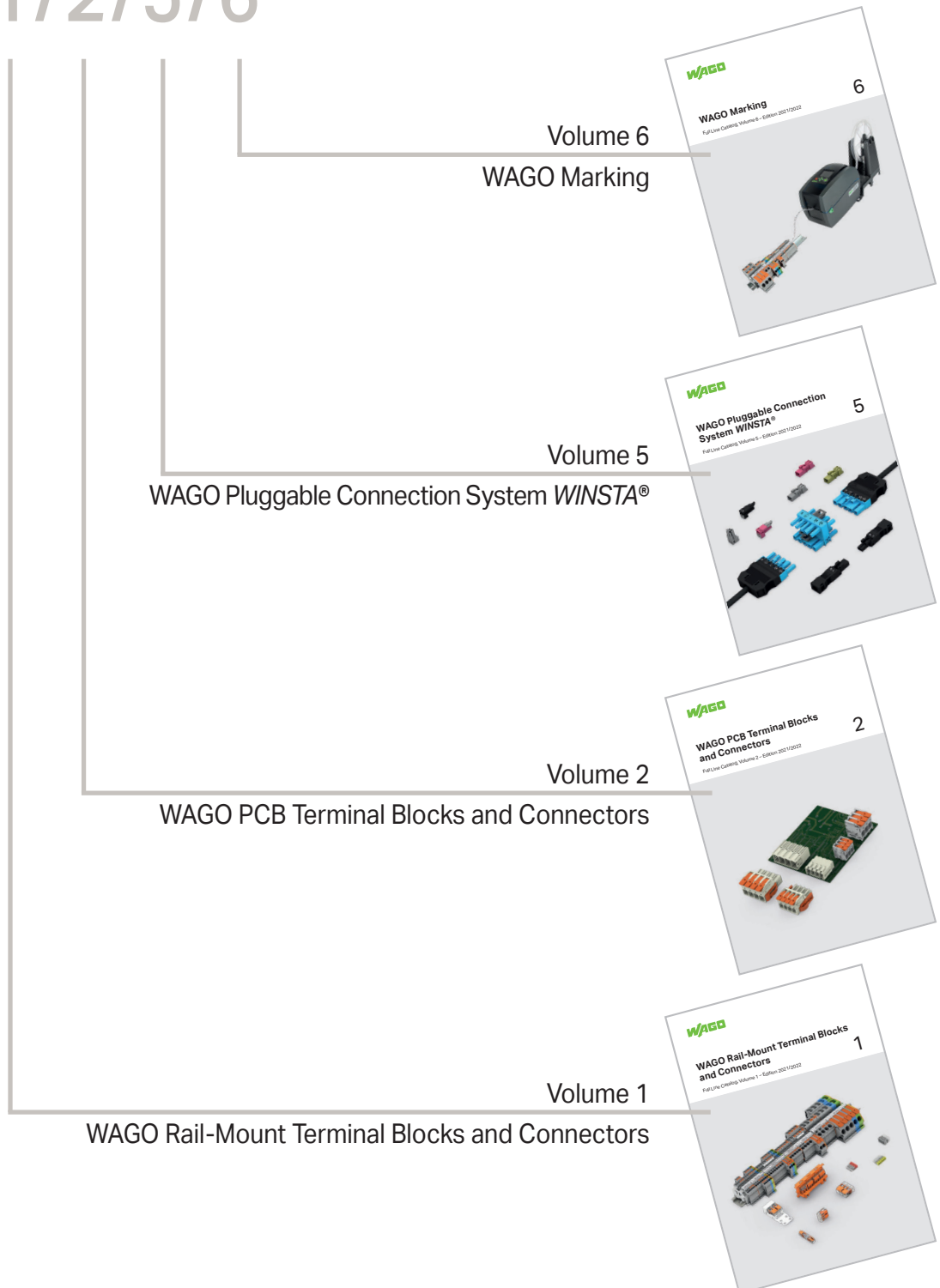
Full Line Catalog, Volume 6 – Edition 2021/2022

**6**




A WAGO marking machine connected to a terminal block, shown in an isometric view.

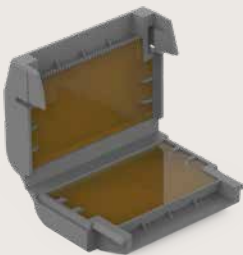
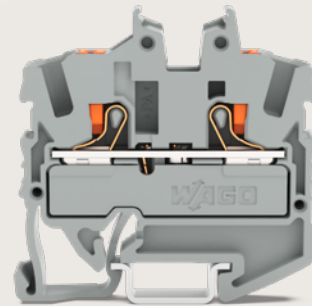
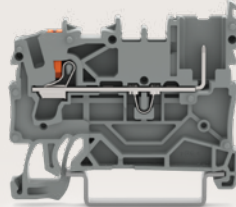
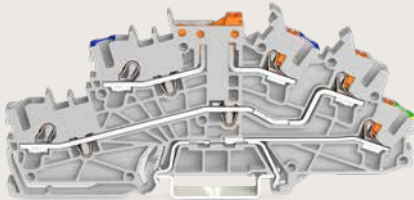
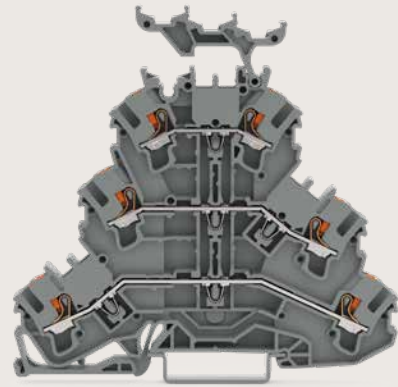
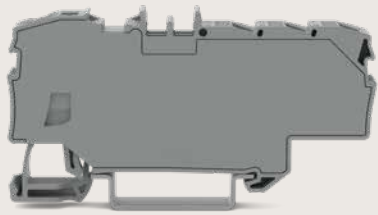
The new items in this catalog  
supplement products found in  
the following main catalogs

# N 1/2/5/6



## Supplementary Catalog – Electrical Interconnections

	WAGO Rail-Mount Terminal Blocks and Connectors	Volume 1	3
	WAGO PCB Terminal Blocks and WAGO Connectors	Volume 2	45
	WAGO Marking Accessories	Volume 6	89
	Item Number Index		94



# Volume 1, WAGO Rail-Mount Terminal Blocks and Connectors

## Volume 1, WAGO Rail-Mount Terminal Blocks and Connectors

			Page
	Distribution Terminal Blocks TOPJOB® S; with Push-Button	2206 Series	4
	Distribution Terminal Blocks TOPJOB® S; with Operating Slot 1 x 6 (10) mm <sup>2</sup> and 6 x 1.5 (2.5) mm <sup>2</sup>	2006 Series	5
	Triple-Deck Terminal Blocks TOPJOB® S; with Push-Button 2.5 (4) mm <sup>2</sup> / 12 AWG	2202 Series	6
	Carrier Terminal Blocks X-COM®S-SYSTEM; with Push-Button	2222 Series	8
	Carrier Terminal Blocks X-COM®S-SYSTEM; with Push-Button; for Ex ec Applications 2,5 (4) mm <sup>2</sup>	2222 Series	10
	Multilevel Installation Terminal Blocks TOPJOB® S; with Operating Slot and Push-Button; with N-Disconnect Slide Link 2.5 (4) mm <sup>2</sup> / 12 AWG	2203 Series	8
	4 (6) mm <sup>2</sup> / 10 AWG	2205 Series	14
	Multilevel Installation Terminal Blocks TOPJOB® S; with Operating Slot and Push-Button; with Internal N-Disconnect 2.5 (4) mm <sup>2</sup> / 12 AWG	2203 Series	10
	Multilevel Installation Terminal Blocks TOPJOB® S; with Push-Button; with N-Disconnect Slide Link 2.5 (4) mm <sup>2</sup> / 12 AWG	2203 Series	16
	4 (6) mm <sup>2</sup> / 10 AWG	2205 Series	22
	Multilevel Installation Terminal Blocks TOPJOB® S; with Push-Button; with Internal N-Disconnect 2.5 (4) mm <sup>2</sup> / 12 AWG	2203 Series	18
	Miniature Through/Ground Conductor Terminal Blocks TOPJOB® S; with Push-Button; for DIN-15 Rail	2252 Series	26
	Miniature Through/Ground Conductor Terminal Blocks TOPJOB® S; for DIN-15 Rail 2.5 (4) mm <sup>2</sup> / 12 AWG	2052 Series	27
	Modular Terminal Blocks TOPJOB® S; with Push-Button; with Mounting Flange or Snap-In Mounting Foot	2252 Series	28
	Modular Terminal Blocks TOPJOB® S; with Mounting Flange or Snap-In Mounting Foot 2.5 (4) mm <sup>2</sup> / 12 AWG	2052 Series	30
	Fused Disconnect Terminal Blocks for 10/14 x 85 mm Cylindrical Fuses 16 mm <sup>2</sup> / 6 AWG	811 Series	32
	Gelbox; for Splicing Connectors	207 Series	35
	Inline Splicing Connector	221 Series	37

## Distribution Terminal Blocks TOPJOB® S; with Push-Button

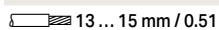
### 1 x 6 (10) mm<sup>2</sup> and 6 x 1.5 (2.5) mm<sup>2</sup>; 2206 Series

#### Technical Data

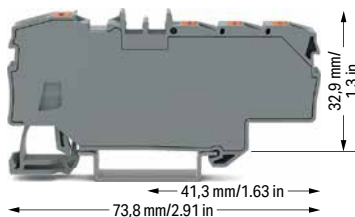
0.5 ... 6 (10) mm<sup>2</sup> ① | 20 ... 8 AWG0.25 ... 1.5 (2.5) mm<sup>2</sup> ② | 22 ... 14 AWGI<sub>N</sub> 41 A (57 A)

800 V/8 kV/3 ③

Terminal block width: 9 mm / 0.354 inch

 13 ... 15 mm / 0.51 ... 0.59 inch ① 9 ... 11 mm / 0.35 ... 0.43 inch ②

**Available July 2022**



#### Distribution terminal block; with push-button

Color	Item No.	Pack. Unit
gray	2206-8031	12
blue	2206-8034 ④	12
red	2206-8033	12
black	2206-8035	12

#### Accessories; distribution terminal block

Appropriate marking systems:  
WMB/WMB Inline/Marking strips

#### Push-in type jumper bar; insulated; I<sub>N</sub> 18 A; light gray



2-way	2001-402	25
3-way	2001-403	25
4-way	2001-404	25

#### Modular connector; snaps together; for jumper contact slot



gray	2001-511	100 (25)
------	----------	----------

#### Test plug adapter; for 4 mm Ø test plug



gray	2009-174	100 (25)
------	----------	----------

#### Testing tap; for max. 2.5 mm<sup>2</sup>



gray	2009-182	100 (25)
------	----------	----------

#### Marking strip; plain; 11 mm wide; 50 m reel



white	2009-110	1
-------	----------	---

#### WMB Inline; plain; 1,500 WMB markers (5 mm)/reel; stretchable 5 ... 5.2 mm



white	2009-115	1
-------	----------	---

#### WMB marker card; white; 10 strips with 10 markers/card; stretchable 5 ... 5.2 mm



plain	793-5501	5
-------	----------	---

① Conductor range: 0.5 ... 10 mm<sup>2</sup> "s+f-st"  
Push-in termination: 2.5 ... 10 mm<sup>2</sup> "s" and 2.5 ... 6 mm<sup>2</sup>  
"insulated ferrules, 12 mm"  
Depending on the conductor characteristic, a conductor with a smaller cross-section can also be inserted via push-in termination.

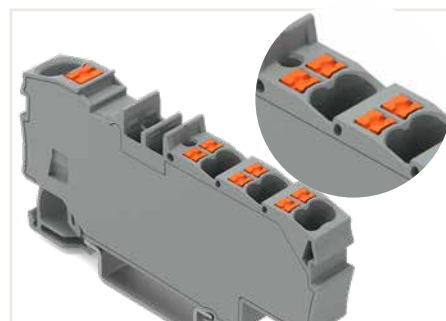
② Conductor range: 0.25 ... 2.5 mm<sup>2</sup> "s+f-st"  
Push-in termination: 0.75 ... 2.5 mm<sup>2</sup> "s" and 0.75 ... 1.5 mm<sup>2</sup>  
"insulated ferrules, 12 mm"  
Depending on the conductor characteristic, a conductor with a smaller cross-section can also be inserted via push-in termination.

③ 800 V = rated voltage  
8 kV = rated impulse voltage  
3 = pollution degree

④ Terminal blocks with a blue insulated housing are suitable for Ex i applications.

See application notes in our TOPJOB® S catalog:  
Separator for Ex e/Ex i applications, page 47  
Jumpers, from page 169  
Testing accessories, from page 162  
Marking accessories, from page 266

Approvals and corresponding ratings, visit [www.wago.com](http://www.wago.com)



A clear marking of clamping units is molded in.

## Distribution Terminal Blocks TOPJOB® S

### 1 x 6 (10) mm<sup>2</sup> and 6 x 1.5 (2.5) mm<sup>2</sup>; 2006 Series

#### Technical Data

0.5 ... 6 (10) mm<sup>2</sup> ❶ | 20 ... 8 AWG

0.25 ... 1.5 (2.5) mm<sup>2</sup> ❷ | 22 ... 14 AWG

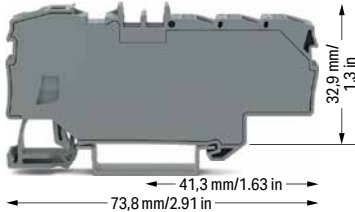
I<sub>N</sub> 41 A (57 A)

800 V/8 kV/3 ❸

Terminal block width: 9 mm / 0.354 inch

13 ... 15 mm / 0.51 ... 0.59 inch ❶

9 ... 11 mm / 0.35 ... 0.43 inch ❷



#### Distribution terminal block; with operating slot

Color	Item No.	Pack. Unit
gray	2006-8031	12
blue	2006-8034 ❹	12
red	2006-8033	12
black	2006-8035	12

#### Accessories; distribution terminal block

Appropriate marking systems:  
WMB/WMB Inline/Marking strips

#### Push-in type jumper bar; insulated; I<sub>N</sub> 18 A; light gray

	2-way	2001-402	25
	3-way	2001-403	25
	4-way	2001-404	25

#### Modular connector; snaps together; for jumper contact slot

	gray	2001-511	100 (25)
---	------	----------	----------

#### Test plug adapter; for 4 mm Ø test plug

	gray	2009-174	100 (25)
---	------	----------	----------

#### Testing tap; for max. 2.5 mm<sup>2</sup>

	gray	2009-182	100 (25)
---	------	----------	----------

#### Marking strip; plain; 11 mm wide; 50 m reel

	white	2009-110	1
---	-------	----------	---

#### WMB Inline; plain; 1,500 WMB markers (5 mm)/reel; stretchable 5 ... 5.2 mm

	white	2009-115	1
---	-------	----------	---

#### WMB marker card; white; 10 strips with 10 markers/card; stretchable 5 ... 5.2 mm

	plain	793-5501	5
---	-------	----------	---

❶ Conductor range: 0.5 ... 10 mm<sup>2</sup> "s+f-st"  
Push-in termination: 2.5 ... 10 mm<sup>2</sup> "s" and 2.5 ... 6 mm<sup>2</sup>  
"insulated ferrules, 12 mm"  
Depending on the conductor characteristic, a conductor with a smaller cross-section can also be inserted via push-in termination.

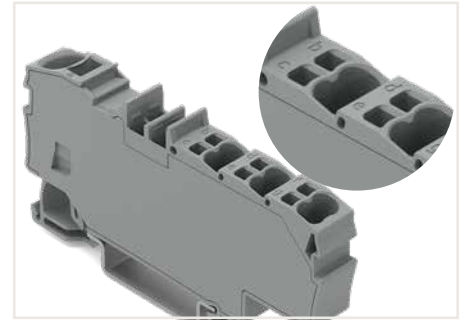
❷ Conductor range: 0.25 ... 2.5 mm<sup>2</sup> "s+f-st"  
Push-in termination: 0.75 ... 2.5 mm<sup>2</sup> "s" and 0.75 ... 1.5 mm<sup>2</sup>  
"insulated ferrules, 12 mm"  
Depending on the conductor characteristic, a conductor with a smaller cross-section can also be inserted via push-in termination.

❸ 800 V = rated voltage  
8 kV = rated impulse voltage  
3 = pollution degree

❹ Terminal blocks with a blue insulated housing are suitable for Ex i applications.

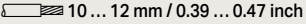
See application notes in our TOPJOB® S catalog:  
Separator for Ex e/Ex i applications, page 47  
Jumpers, from page 169  
Testing accessories, from page 162  
Marking accessories, from page 266

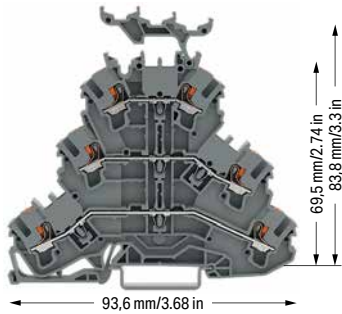
Approvals and corresponding ratings, visit [www.wago.com](http://www.wago.com)



A clear marking of clamping units is molded in.

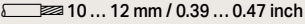
## Triple-Deck Terminal Block TOPJOB® S; with Push-Button 2.5 (4) mm<sup>2</sup>; 2202 Series

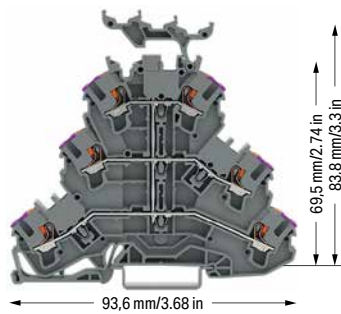
Technical Data	
0.25 ... 2.5 (4) mm <sup>2</sup> ①	22 ... 12 AWG
500 V/6 kV/3 ②	
I <sub>N</sub> 22 A (26 A)	
Terminal block width: 5.2 mm / 0.205 inch	
 10 ... 12 mm / 0.39 ... 0.47 inch	



Triple-deck terminal block; with push-button; through/through/through terminal block; with marker carrier; gray

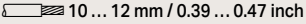
	Item No.	Pack. Unit
○ L/L/L	2202-3231	50
○ L/L/N	2202-3233	50

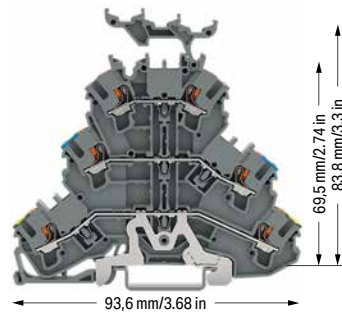
Technical Data	
0.25 ... 2.5 (4) mm <sup>2</sup> ①	22 ... 12 AWG
500 V/6 kV/3 ②	
I <sub>N</sub> 24 A (28 A) ③	
Terminal block width: 5.2 mm / 0.205 inch	
 10 ... 12 mm / 0.39 ... 0.47 inch	



Triple-deck terminal block; with push-button; 6-conductor through terminal block; with marker carrier; internally commoned; violet conductor entry; gray

	Item No.	Pack. Unit
○ L	2202-3238	50

Technical Data	
0.25 ... 2.5 (4) mm <sup>2</sup> ①	22 ... 12 AWG
500 V/6 kV/3 ②	
I <sub>N</sub> 22 A (26 A)	
Terminal block width: 5.2 mm / 0.205 inch	
 10 ... 12 mm / 0.39 ... 0.47 inch	



Triple-deck terminal block; with push-button; ground conductor/through/through terminal block; with marker carrier; gray

	Item No.	Pack. Unit
○ PE/N/L	2202-3247	50
○ PE/L/L	2202-3257	50

Triple-deck terminal block; with push-button; through/through/through terminal block; without marker carrier; gray

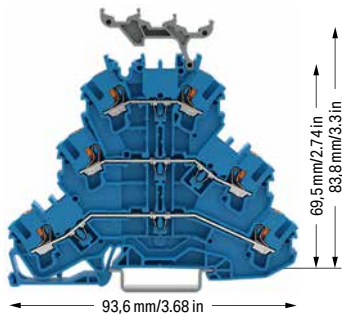
○ L/L/L	2202-3201	50
○ L/L/N	2202-3203	50

Triple-deck terminal block; with push-button; 6-conductor through terminal block; without marker carrier; internally commoned; violet conductor entry; gray

○ L	2202-3208	50
-----	-----------	----

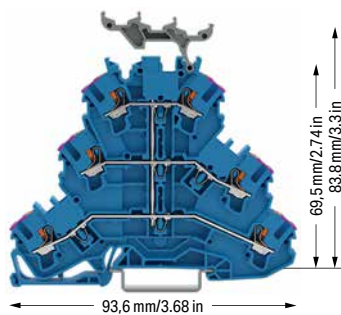
Triple-deck terminal block; with push-button; ground conductor/through/through terminal block; without marker carrier; gray

○ PE/N/L	2202-3217	50
○ PE/L/L	2202-3227	50



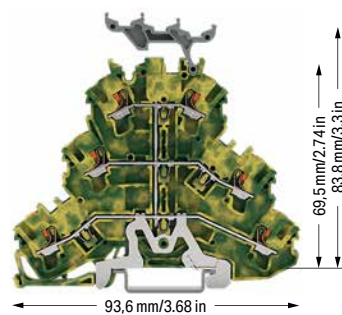
Triple-deck terminal block; with push-button; through/through/through terminal block; with marker carrier; blue

	Item No.	Pack. Unit
● N/N/N	2202-3234 ④	50



Triple-deck terminal block; with push-button; 6-conductor through terminal block; with marker carrier; internally commoned; violet conductor entry; blue

	Item No.	Pack. Unit
● N	2202-3239 ④	50



Triple-deck terminal block; with push-button; 6-conductor ground terminal block; with marker carrier; internally commoned; green-yellow

	Item No.	Pack. Unit
● PE	2202-3237	50

Triple-deck terminal block; with push-button; through/through/through terminal block; without marker carrier; blue

● N/N/N	2202-3204 ④	50
---------	-------------	----

Triple-deck terminal block; with push-button; 6-conductor through terminal block; without marker carrier; internally commoned; violet conductor entry; blue

● N	2202-3209 ④	50
-----	-------------	----

Triple-deck terminal block; with push-button; 6-conductor ground terminal block; without marker carrier; internally commoned; green-yellow

● PE	2202-3207	50
------	-----------	----



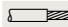
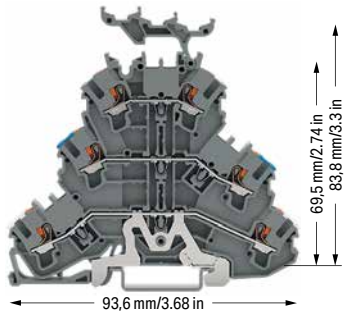
## Technical Data

0.25 ... 2.5 (4) mm<sup>2</sup> ① | 22 ... 12 AWG

500 V/6 kV/3 ②

I<sub>N</sub> 22 A (26 A)

Terminal block width: 5.2 mm / 0.205 inch

 10 ... 12 mm / 0.39 ... 0.47 inch


Triple-deck terminal block; with push-button; shield/through/through terminal block; with marker carrier; gray

	Item No.	Pack. Unit
○ Shield/N/L	2202-3248	50
○ Shield/L/L	2202-3258	50

Triple-deck terminal block; with push-button; shield/through/through terminal block; without marker carrier; gray

	Item No.	Pack. Unit
○ Shield/N/L	2202-3218	50
○ Shield/L/L	2202-3228	50

① Conductor range: 0.25 ... 4 mm<sup>2</sup> "s+f-st"  
Push-in termination: 1 ... 4 mm<sup>2</sup> "s" and 1 ... 2.5 mm<sup>2</sup> "insulated ferrules, 12 mm"  
Depending on the conductor characteristic, a conductor with a smaller cross-section can also be inserted via push-in termination.

② 500 V = rated voltage  
6 kV = rated impulse voltage  
3 = pollution degree

③ 28 A only applies to terminal blocks with internal commoning.

④ Terminal blocks with a blue insulated housing are suitable for Ex i applications.


See application notes in our TOPJOB® S catalog:  
Jumpers, from page 166  
Testing accessories, page 165  
Marking accessories, from page 266

Approvals and corresponding ratings, visit [www.wago.com](http://www.wago.com)


## Accessories; 2202 Series

Appropriate marking systems:  
WMB/WMB Inline/Marking strips


## End and intermediate plate; 0.8 mm thick

	orange	2002-3292	100 (25)
	gray	2002-3291	100 (25)


Insulation stop; 5 pcs/strip; 0.25 ... 0.5 mm<sup>2</sup>

	light gray	2002-171	200 (25)
--	------------	----------	----------


Insulation stop; 5 pcs/strip; 0.75 ... 1 mm<sup>2</sup>

	dark gray	2002-172	200 (25)
---	-----------	----------	----------

Push-in type jumper bar; insulated; I<sub>N</sub> 25 A; light gray

	2-way	2002-402	25
	3-way	2002-403	25
	4-way	2002-404	25
	5-way	2002-405	25
	6-way	2002-406	25
	7-way	2002-407	25
	8-way	2002-408	25
	9-way	2002-409	25
	10-way	2002-410	25

Push-in type jumper bar; insulated; I<sub>N</sub> 25 A; light gray

	1 to 3	2002-433	25
	1 to 4	2002-434	25
	1 to 5	2002-435	25
	1 to 6	2002-436	25
	1 to 7	2002-437	25
	1 to 8	2002-438	25
	1 to 9	2002-439	25
	1 to 10	2002-440	25

Double-deck vertical jumper; insulated; I<sub>N</sub> 24 A

	light gray	2002-492	100 (25)
	orange	2002-492/000-012	100 (25)

Triple-deck vertical jumper; insulated; I<sub>N</sub> 24 A

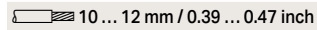
	light gray	2002-493	100 (25)
---	------------	----------	----------

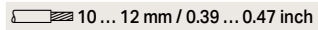
## Triple-deck marker carrier; pivoting

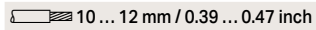
	gray	2002-131	50 (25)
---	------	----------	---------

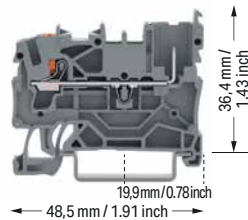
# 1-Conductor/1-Pin Carrier Terminal Block , 2-Conductor/1-Pin Carrier Terminal Block , 2-Conductor/2-Pin Carrier Terminal Block X-COM®S-SYSTEM; with Push-Button

## 2.5 (4) mm<sup>2</sup>; 2222 Series

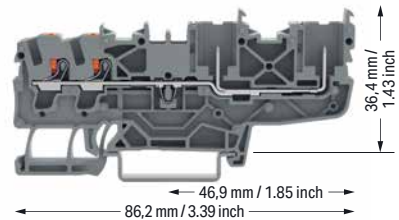
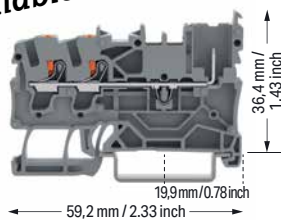
Technical Data	
0.25 ... 2.5 (4) mm <sup>2</sup> ❶	22 ... 12 AWG
690 V / 6 kV / 3 ❷	
I <sub>N</sub> 24 A (32 A) ❸	
Terminal block width: 5.2 mm / 0.205 inch	
 10 ... 12 mm / 0.39 ... 0.47 inch	

Technical Data	
0.25 ... 2.5 (4) mm <sup>2</sup> ❶	22 ... 12 AWG
690 V / 6 kV / 3 ❷	
I <sub>N</sub> 24 A (32 A) ❸	
Terminal block width: 5.2 mm / 0.205 inch	
 10 ... 12 mm / 0.39 ... 0.47 inch	

Technical Data	
0.25 ... 2.5 (4) mm <sup>2</sup> ❶	22 ... 12 AWG
690 V / 6 kV / 3 ❷	
I <sub>N</sub> 24 A (28 A) ❸	
Terminal block width: 5.2 mm / 0.205 inch	
 10 ... 12 mm / 0.39 ... 0.47 inch	



Available August 2022



1-conductor/1-pin carrier terminal block; with push-button		
Color	Item No.	PU
gray	2222-1201	100
blue	2222-1204	100
orange	2222-1202	100

2-conductor/1-pin carrier terminal block; with push-button		
Color	Item No.	PU
gray	2222-1301	100
blue	2222-1304	100
orange	2222-1302	100

2-conductor/2-pin carrier terminal block; with push-button		
Color	Item No.	PU
gray	2222-1401	50
blue	2222-1404	50
orange	2222-1402	50

1-conductor/1-pin ground carrier terminal block; with push-button		
green-yellow	2222-1207	100

2-conductor/1-pin ground carrier terminal block; with push-button		
green-yellow	2222-1307	100

2-conductor/2-pin ground carrier terminal block; with push-button		
green-yellow	2222-1407	50

Accessories; item-specific			
End and intermediate plate; 1 mm thick			
orange	2022-1292	100 (25)	
gray	2022-1291	100 (25)	

Accessories; item-specific			
End and intermediate plate; 1 mm thick			
orange	2022-1392	100 (25)	
gray	2022-1391	100 (25)	

Accessories; item-specific			
End and intermediate plate; 1 mm thick			
orange	2022-1492	100 (25)	
gray	2022-1491	100 (25)	

Accessories; 2222 Series			
Insulation stop; 5 pcs/strip; 0.25 ... 0.5 mm <sup>2</sup>			
light gray	2002-171	200 (25)	

Accessories; 2222 Series			
Delta jumper; insulated; I <sub>N</sub> = I <sub>N</sub> terminal block; light gray			
1-2 3-4 5-6	2002-406/020-000	25	

Accessories; 2222 Series			
Push-in type wire jumper; insulated; 1.5 mm <sup>2</sup> conductor cross-section; I <sub>N</sub> 18 A			
L = 60 mm	2009-412	100 (10)	
L = 110 mm	2009-414	100 (10)	
L = 250 mm	2009-416	100 (10)	

Accessories; 2222 Series			
Insulation stop; 5 pcs/strip; 0.75 ... 1 mm <sup>2</sup>			
dark gray	2002-172	200 (25)	

Accessories; 2222 Series			
Star point jumper; insulated; I <sub>N</sub> = I <sub>N</sub> terminal block; light gray			
1-3-5	2002-405/011-000	25	

Accessories; 2222 Series			
Carrier with 6 coding pins; for coding female plugs			
orange	2022-100	100 (25)	

Accessories; 2222 Series			
Protective warning marker; with black high-voltage symbol; for 5 terminal blocks			
yellow	2002-115	100 (25)	

Accessories; 2222 Series			
Staggered jumper; insulated; I <sub>N</sub> 25 A; light gray			
2-way	2002-472	25	
3-way	2002-473	25	
4-way	2002-474	25	
5-way	2002-475	25	
6-way	2002-476	25	
7-way	2002-477	25	
8-way	2002-478	25	
9-way	2002-479	25	
10-way	2002-480	25	
11-way	2002-481	25	
12-way	2002-482	25	

Accessories; 2222 Series			
Test pin; 1 mm Ø			
test pin	859-500	1	

Accessories; 2222 Series			
Push-in type jumper bar; insulated; I <sub>N</sub> 25 A; light gray			
2-way	2002-402	25	
3-way	2002-403	25	
4-way	2002-404	25	
5-way	2002-405	25	
6-way	2002-406	25	
7-way	2002-407	25	
8-way	2002-408	25	
9-way	2002-409	25	
10-way	2002-410	25	

Accessories; 2222 Series			
Adjacent jumper for continuous commoning; insulated; I <sub>N</sub> 25 A; light gray			
2-way	2002-400	25	

Accessories; 2222 Series			
1-conductor female plug			
gray	2022-101	200	

Accessories; 2222 Series			
Push-in type jumper bar; insulated; I <sub>N</sub> 25 A; light gray			
1 to 3	2002-433	25	
1 to 4	2002-434	25	
1 to 5	2002-435	25	
1 to 6	2002-436	25	
1 to 7	2002-437	25	
1 to 8	2002-438	25	
1 to 9	2002-439	25	
1 to 10	2002-440	25	

Accessories; 2222 Series			
Adjacent jumper for continuous commoning; insulated; I <sub>N</sub> 25 A; 1 to 3			
light gray	2002-423	25	
red	2002-423/000-005	25	
blue	2002-423/000-006	25	

Accessories; 2222 Series			
Marking strip; plain; 11 mm wide; 50 m reel			
white	2009-110	1	

Accessories; 2222 Series			
WMB Inline; plain; 1,500 WMB markers (5 mm)/reel; stretchable 5 ... 5.2 mm			
white	2009-115	1	

Accessories; 2222 Series			
WMB marker card; white; 10 strips with 10 markers/card; stretchable 5 ... 5.2 mm			
plain	793-5501	5	

① Conductor range: 0.25 ... 4 mm<sup>2</sup> "s+f-st"  
Push-in termination: 1 ... 4 mm<sup>2</sup> "s" and 1 ... 2.5 mm<sup>2</sup>  
"insulated ferrules, 12 mm"  
Depending on the conductor characteristic, a conductor with a smaller cross-section can also be inserted via push-in termination.

② 690 V = rated voltage  
6 kV = rated impulse voltage  
3 = pollution degree  
(see section 15)

③ Current-carrying capacity curves upon request

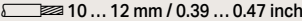
**Note:**

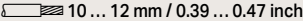
When used as intended, female plugs must not be connected/disconnected when live or under load.

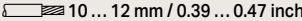
See application notes in our TOPJOB® S catalog:  
Jumpers, from page 166  
Marking accessories, from page 266

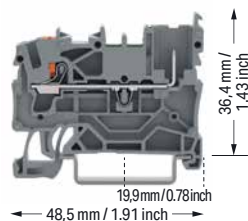
Approvals and corresponding ratings,  
visit [www.wago.com](http://www.wago.com)

# 1-Conductor/1-Pin Carrier Terminal Block, 2-Conductor/1-Pin Carrier Terminal Block, 2-Conductor/2-Pin Carrier Terminal Block X-COM®S-SYSTEM; with Push-Button; for Ex ec Applications 2.5 (4) mm<sup>2</sup>; 2222 Series

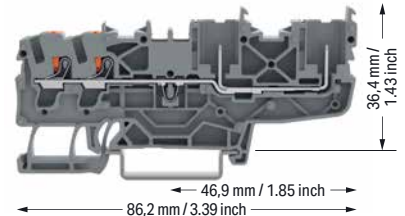
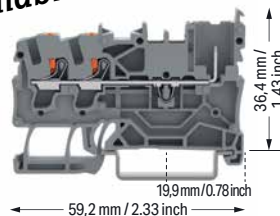
Technical Data	
0.25 ... 2.5 (4) mm <sup>2</sup> ①	22 ... 12 AWG
630 V ②	
I <sub>N</sub> 20 A	
Terminal block width: 5.2 mm / 0.205 inch	
 10 ... 12 mm / 0.39 ... 0.47 inch	

Technical Data	
0.25 ... 2.5 (4) mm <sup>2</sup> ①	22 ... 12 AWG
630 V ②	
I <sub>N</sub> 20 A	
Terminal block width: 5.2 mm / 0.205 inch	
 10 ... 12 mm / 0.39 ... 0.47 inch	

Technical Data	
0.25 ... 2.5 (4) mm <sup>2</sup> ①	22 ... 12 AWG
630 V ②	
I <sub>N</sub> 20 A	
Terminal block width: 5.2 mm / 0.205 inch	
 10 ... 12 mm / 0.39 ... 0.47 inch	



**Available August 2022**



1-conductor/1-pin carrier terminal block; with push-button; suitable for Ex ec applications		
Color	Item No.	PU
gray ⑤	2222-1201/999-953	100
blue ⑤	2222-1204/999-953	100
orange	2222-1202/999-953	100

2-conductor/1-pin carrier terminal block; with push-button; suitable for Ex ec applications		
Color	Item No.	PU
gray ⑤	2222-1301/999-953	100
blue ⑤	2222-1304/999-953	100
orange	2222-1302/999-953	100

2-conductor/2-pin carrier terminal block; with push-button; suitable for Ex ec applications		
Color	Item No.	PU
gray ⑤	2222-1401/999-953	50
blue ⑤	2222-1404/999-953	50
orange	2222-1402/999-953	50

1-conductor/1-pin ground carrier terminal block; suitable for Ex ec applications		
Color	Item No.	PU
green-yellow ⑤	2222-1207/999-953	100

2-conductor/1-pin ground carrier terminal block; suitable for Ex ec applications		
Color	Item No.	PU
green-yellow ⑤	2222-1307/999-953	100

2-conductor/2-pin ground carrier terminal block; suitable for Ex ec applications		
Color	Item No.	PU
green-yellow ⑤	2222-1407/999-953	50

Accessories; item-specific			
End and intermediate plate; 1 mm thick			
	orange	2022-1292	100 (25)
	gray	2022-1291	100 (25)

Accessories; item-specific			
End and intermediate plate; 1 mm thick			
	orange	2022-1392	100 (25)
	gray	2022-1391	100 (25)

Accessories; item-specific			
End and intermediate plate; 1 mm thick			
	orange	2022-1492	100 (25)
	gray	2022-1491	100 (25)

**Accessories; 2222 Series**

Appropriate marking systems: WMB/WMB Inline/marketing strips

Insulation stop; 5 pcs/strip; 0.25 ... 0.5 mm <sup>2</sup>		
	light gray	2002-171 200 (25)

Staggered jumper; insulated; I <sub>N</sub> 25 A; light gray		
	2-way	2002-472 25
	3-way	2002-473 25
	4-way	2002-474 25
	5-way	2002-475 25
	6-way	2002-476 25
	7-way	2002-477 25
	8-way	2002-478 25
	9-way	2002-479 25
	10-way	2002-480 25
	11-way	2002-481 25
	12-way	2002-482 25

Marking strip; plain; 11 mm wide; 50 m reel		
	white	2009-110 1

Insulation stop; 5 pcs/strip; 0.75 ... 1 mm <sup>2</sup>		
	dark gray	2002-172 200 (25)

WMB Inline; plain; 1,500 WMB markers (5 mm)/reel; stretchable 5 ... 5.2 mm		
	white	2009-115 1

Protective warning marker; with black high-voltage symbol; for 5 terminal blocks		
	yellow	2002-115 100 (25)

WMB marker card; white; 10 strips with 10 markers/card; stretchable 5 ... 5.2 mm		
	plain	793-5501 5

Push-in type jumper bar; insulated; I <sub>N</sub> 25 A; light gray		
	2-way	2002-402 25
	3-way	2002-403 25
	4-way	2002-404 25
	5-way	2002-405 25
	6-way	2002-406 25
	7-way	2002-407 25
	8-way	2002-408 25
	9-way	2002-409 25
	10-way	2002-410 25

Push-in type wire jumper; insulated; 1.5 mm <sup>2</sup> conductor cross-section; I <sub>N</sub> 18 A		
	L = 60 mm	2009-412 100 (10)
	L = 110 mm	2009-414 100 (10)
	L = 250 mm	2009-416 100 (10)

WMB Inline; plain; 1,500 WMB markers (5 mm)/reel; stretchable 5 ... 5.2 mm		
	white	2009-115 1

Push-in type jumper bar; insulated; I <sub>N</sub> 25 A; light gray		
	1 to 3	2002-433 25
	1 to 4	2002-434 25
	1 to 5	2002-435 25
	1 to 6	2002-436 25
	1 to 7	2002-437 25
	1 to 8	2002-438 25
	1 to 9	2002-439 25
	1 to 10	2002-440 25

Carrier with 6 coding pins; for coding female plugs		
	orange	2022-100 100 (25)

Test pin; 1 mm Ø		
		859-500 1

1-conductor female plug; with shorter locking lever; suitable for Ex ec applications; fits into carrier terminal blocks; codable		
	gray	2022-103/999-953 100

① Conductor range: 0.25 ... 4 mm<sup>2</sup> "s+f-st"  
 Push-in termination: 1 ... 4 mm<sup>2</sup> "s" and 1 ... 2.5 mm<sup>2</sup>  
 "insulated ferrules, 12 mm"  
 Depending on the conductor characteristic, a conductor with a smaller cross-section can also be inserted via push-in termination.

② 630 V = rated voltage for use in Zone 2 hazardous areas, "ec" type of protection (see section 15)

**Note:**

When used as intended, female plugs must not be connected/disconnected when live or under load.

See application notes in our TOPJOB® S catalog:  
 Jumpers, from page 166  
 Marking accessories, from page 266

Approvals and corresponding ratings, visit [www.wago.com](http://www.wago.com)

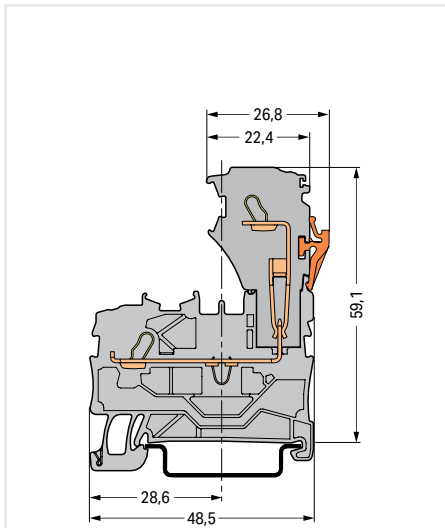


630 V = rated voltage for use in Zone 2 hazardous areas, "ec" type of protection

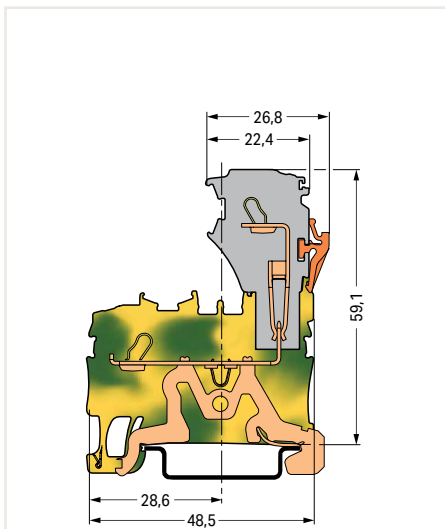
**Ex marking:**

"Ex" sign and extended item number ".../999-953" are printed on the side of both carrier terminal blocks and female plugs with Ex approval.

Shorter locking lever (factory-mounted) makes accidental disconnection more difficult.

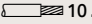


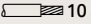
Carrier terminal block



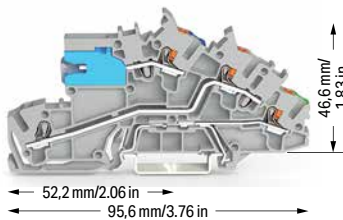
Ground carrier terminal block

# Multilevel Installation Terminal Block TOPJOB® S; with Operating Slot and Push-Button; with N-Disconnect Slide Link 2.5 (4) mm<sup>2</sup>; 2203 Series

Technical Data	
0.25 ... 2.5 (4) mm <sup>2</sup> ①	22 ... 12 AWG
250 V/4 kV/3; 24 A (29 A) ②	
400 V/6 kV/3; 24 A (29 A) ②	
Terminal block width: 5.2 mm / 0.205 inch	
 10 ... 12 mm / 0.39 ... 0.47 inch	

Technical Data	
0.25 ... 2.5 (4) mm <sup>2</sup> ①	22 ... 12 AWG
400 V/6 kV/3 ②	
I <sub>N</sub> 24 A (31 A)	
Terminal block width: 5.2 mm / 0.205 inch	
 10 ... 12 mm / 0.39 ... 0.47 inch	

- ① Conductor range: 0.25 ... 4 mm<sup>2</sup> "s+f-st"  
Push-in termination: 1 ... 4 mm<sup>2</sup> "s" and 1 ... 2.5 mm<sup>2</sup> "insulated ferrules, 12 mm"  
Depending on the conductor characteristic, a conductor with a smaller cross-section can also be inserted via push-in termination.
  - ② 250 V / 400 V = rated voltage  
4 kV / 6 kV = rated impulse voltage  
3 = pollution degree  
250 V/4 kV potential – ground  
400 V/6 kV potential – potential
- See application notes in our TOPJOB® S catalog:  
Jumpers, from page 166  
Testing accessories, page 165  
Marking accessories, from page 266
- Approvals and corresponding ratings, visit [www.wago.com](http://www.wago.com)



Multilevel installation terminal block; with operating slot and push-button; with N-disconnect slide link; gray


	Item No.	Pack. Unit
○ NT/L/PE	2203-7541	50

Multilevel installation terminal block; with operating slot and push-button; gray


	Item No.	Pack. Unit
○ L/L	2203-7542	50
○ N/L	2203-7549	50

**Accessories; 2203 Series**  
Appropriate marking systems:  
WMB/WMB Inline/Marking strips


**2-conductor through terminal block; I<sub>N</sub> 125 A; 35 mm<sup>2</sup>; 16 mm wide**

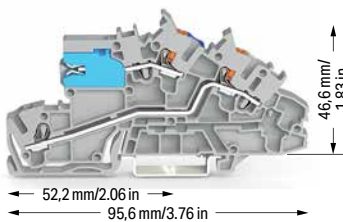
 gray	785-601	15
blue	785-604	15

**2-conductor ground terminal block; 16 mm<sup>2</sup>; 12 mm wide**

 green-yellow	2016-7607	20
---	-----------	----

**2-conductor ground terminal block; 35 mm<sup>2</sup>; 16 mm wide**

 green-yellow	785-607	15
--	---------	----



Multilevel installation terminal block; with operating slot and push-button; with N-disconnect slide link; gray

	Item No.	Pack. Unit
○ NT/L	2203-7540	50
○ LT/L	2203-7559	50

Multilevel installation terminal block; with operating slot and push-button; gray

	Item No.	Pack. Unit
○ L	2203-7550	50
○ N	2203-7551	50


Multilevel installation terminal block; with operating slot and push-button; gray

○ N/L/PE	2203-7546	50
○ L/L/PE	2203-7545	50

**Connector; for busbar; with blue cover; 2.5 ... 16 mm<sup>2</sup>**

 blue	210-281	100 (50)
--	---------	----------

**Connector; for busbar; 2.5 ... 35 mm<sup>2</sup>**

 uninsulated	209-105	50
---	---------	----

**Lock-out; prevents reclosing of slide link; snap-on type**

 orange	2003-7300	100 (25)
--	-----------	----------

**Insulation stop; 5 pcs/strip; 0.25 ... 0.5 mm<sup>2</sup>**

 light gray	2002-171	200 (25)
--	----------	----------

**Insulation stop; 5 pcs/strip; 0.75 ... 1 mm<sup>2</sup>**


 dark gray	2002-172	200 (25)
---	----------	----------

**Accessories; 2203 Series**  
Appropriate marking systems: WMB/WMB Inline/Marking strips

**End and intermediate plate; 0.8 mm thick**

 orange	2203-7692	100 (25)
---	-----------	----------

**Busbar cover; 1000 mm long**

 transparent	777-303	1
---	---------	---


**Busbar carrier; not suitable as an end stop; snaps onto DIN-35 rail; 1.5 mm thick**

 blue	2009-304	100 (25)
---	----------	----------

**1-conductor N-disconnect terminal block; I<sub>N</sub> 76 A; 16 mm<sup>2</sup>; 12 mm wide**

 blue	2016-7714	20
--	-----------	----


**Busbar carrier; with end stop function and detachable separator plate; snaps onto DIN-35 rail; 7.5 mm thick**

 blue	2009-305	25
---	----------	----


**1-conductor N-disconnect terminal block; I<sub>N</sub> 125 A; 35 mm<sup>2</sup>; 16 mm wide**

 blue	785-613	15
--	---------	----


**Busbar; tin-plated; 1000 mm long; copper (10 x 3) mm**

 I <sub>N</sub> 140 A	210-133	1
---	---------	---

**2-conductor supply terminal block for distribution boxes; I<sub>N</sub> 76 A; 16 mm<sup>2</sup>; 12 mm wide**

 gray	2016-7601	20
blue	2016-7604	20

**Push-in type jumper bar; insulated; I<sub>N</sub> 25 A; light gray**

 2-way	2002-402	25
3-way	2002-403	25
4-way	2002-404	25
5-way	2002-405	25
6-way	2002-406	25
7-way	2002-407	25
8-way	2002-408	25
9-way	2002-409	25
10-way	2002-410	25

## Accessories; 2203 Series

Appropriate marking systems:  
WMB/WMB Inline/Marking stripsPush-in type jumper bar; insulated; I<sub>N</sub> 25 A; light gray

1 to 3	2002-433	25
1 to 4	2002-434	25
1 to 5	2002-435	25
1 to 6	2002-436	25
1 to 7	2002-437	25
1 to 8	2002-438	25
1 to 9	2002-439	25
1 to 10	2002-440	25

Staggered jumper; insulated; I<sub>N</sub> 25 A; light gray

2-way	2002-472	25
3-way	2002-473	25
4-way	2002-474	25
5-way	2002-475	25
6-way	2002-476	25
7-way	2002-477	25
8-way	2002-478	25
9-way	2002-479	25
10-way	2002-480	25
11-way	2002-481	25
12-way	2002-482	25

Customized staggered jumper; insulated; with contact lugs broken off at the factory and circuit printing; I<sub>N</sub> 25 A; light gray

1-3	2002-473/011-000	25
1-3-5	2002-475/011-000	25
1-3-5-7	2002-477/011-000	25
1-3-5-7-9	2002-479/011-000	25
1-3-5-7-9-11	2002-481/011-000	25

Adjacent jumper for continuous commoning; insulated; I<sub>N</sub> 25 A; light gray

2-way	2002-400	25
-------	----------	----

Adjacent jumper for continuous commoning; insulated; I<sub>N</sub> 25 A; 1 to 3

light gray	2002-423	25
red	2002-423/000-005	25
blue	2002-423/000-006	25

Push-in type wire jumper; insulated; 1.5 mm<sup>2</sup> conductor cross-section; I<sub>N</sub> 18 A

L = 60 mm	2009-412	100 (10)
L = 110 mm	2009-414	100 (10)
L = 250 mm	2009-416	100 (10)

## Test plug adapter; for 4 mm Ø test plug



gray	2009-174	100 (25)
------	----------	----------

Testing tap; for max. 2.5 mm<sup>2</sup>

gray	2009-182	100 (25)
------	----------	----------

## Marking strip; plain; 11 mm wide; 50 m reel



white	2009-110	1
-------	----------	---

## WMB Inline; plain; 1,500 WMB markers (5 mm)/reel; stretchable 5 ... 5.2 mm



white	2009-115	1
-------	----------	---

## Accessories; 2203 Series

Appropriate marking systems:  
WMB/WMB Inline/Marking strips

## WMB marker card; white; 10 strips with 10 markers/card; stretchable 5 ... 5.2 mm



plain	793-5501	5
-------	----------	---

## Operating tool; 3.5 mm and 2.5 mm blade; for TOPJOB® S Installation Terminal Blocks



2009-309	50 (1)
----------	--------

## Operating tool; 3.5 mm and 5.5 mm blade; for TOPJOB® S Installation Terminal Blocks



2009-310	50 (1)
----------	--------

## Operating tool; (3.5 x 0.5) mm blade; with a partially insulated shaft



210-720	1
---------	---

## TOPJOB® S – Terminal Blocks for Every Application

- Push-in termination of solid conductors in small distribution boards saves time and money.
- Operating errors can be prevented as all TOPJOB® S Terminal Blocks for building installations are equipped with push-in connection technology.
- Using standard accessories reduces order processing and inventory costs.
- The busbar position is the same, making TOPJOB® S Installation Terminal Blocks compatible with standard TOPJOB® Installation Terminal Blocks.

For constructing and operating power installations in fire-prone, hazardous locations or public buildings – such as conference centers, stores, hospitals, schools, theaters or hotels – the DIN VDE 0100-710 or DIN VDE 0100-718 standards shall be observed. DIN VDE 0100-482 shall also be observed for fire-prone, hazardous locations. These VDE regulations mandate that every neutral conductor must be provided with a disconnection device so, e.g., insulation resistance measurement is possible for every circuit without disconnecting the N-conductor. WAGO's N-disconnect terminal blocks meet this requirement.

## Application note:

N-disconnect slide links, used in installation terminal blocks, consist of switch contacts that are opened and then closed again as part of regular circuit testing. To guarantee a reliable connection, a corrosion-resistant contact area is required on the N-busbar.

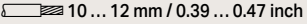
Historically, uninsulated copper busbars that have been cleaned/stripped of any possible corrosion before install can be used in dry, pollution-free locations.

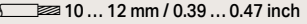
According to DIN VDE 0100-520 (VDE 0100, Part 520), installation equipment exposed to contamination or corrosive substances (e.g., water) that promote corrosion or deterioration must be protected or made of a corrosion- or wear-resistant material. In these cases, tinned copper busbars guarantee a reliable connection.

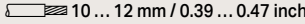
WAGO only offers tinned copper busbars.

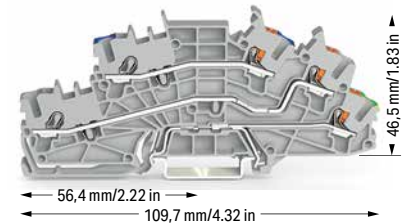
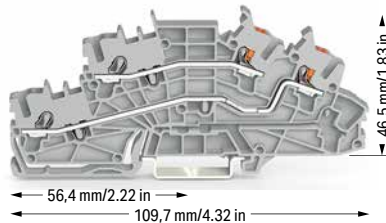
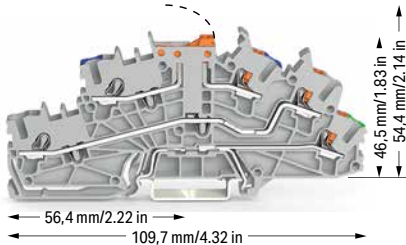
# Multilevel Installation Terminal Block TOPJOB® S; with Operating Slot and Push-Button; with Internal N-Disconnect

## 2.5 (4) mm<sup>2</sup>; 2203 Series

Technical Data	
0.25 ... 2.5 (4) mm <sup>2</sup> ①	22 ... 12 AWG
250 V/4 kV/3; 22 A (27 A) ②	
400 V/6 kV/3; 22 A (27 A) ②	
Terminal block width: 5.2 mm / 0.205 inch	
 10 ... 12 mm / 0.39 ... 0.47 inch	

Technical Data	
0.25 ... 2.5 (4) mm <sup>2</sup> ①	22 ... 12 AWG
400 V/6 kV/3 ②	
I <sub>N</sub> 24 A (31 A)	
Terminal block width: 5.2 mm / 0.205 inch	
 10 ... 12 mm / 0.39 ... 0.47 inch	

Technical Data	
0.25 ... 2.5 (4) mm <sup>2</sup> ①	22 ... 12 AWG
250 V/4 kV/3; 24 A (31 A) ②	
400 V/6 kV/3; 24 A (31 A) ②	
Terminal block width: 5.2 mm / 0.205 inch	
 10 ... 12 mm / 0.39 ... 0.47 inch	





Multilevel installation terminal block; with operating slot and push-button; with pivoting knife disconnect; gray		
	Item No.	Pack. Unit
<input type="radio"/> NT/L/PE	2203-6541	50
<input type="radio"/> LT/L/PE	2203-6544	50

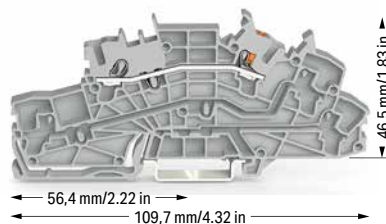
Multilevel installation terminal block; with operating slot and push-button; gray		
	Item No.	Pack. Unit
<input type="radio"/> L/L	2203-6542	50
<input type="radio"/> N/L	2203-6549	50

Multilevel installation terminal block; with operating slot and push-button; gray		
	Item No.	Pack. Unit
<input type="radio"/> N/L/PE	2203-6546	50
<input type="radio"/> L/L/PE	2203-6545	50

### Item-Specific Accessories

N/L-test plug adapter; for vertical test slot; gray			
	2-pole	2003-499	100 (25)


N-test plug adapter; for vertical test slot; gray			
	1-pole	2003-500	100 (25)





Multilevel installation terminal block; with operating slot and push-button; gray		
	Item No.	Pack. Unit
<input type="radio"/> L	2203-6550	50
<input type="radio"/> N	2203-6551	50


### Accessories; 2203 Series


Appropriate marking systems: WMB/WMB Inline/Marking strips


End and intermediate plate; 0.8 mm thick			
	orange	2203-6692	100 (25)

Insulation stop; 5 pcs/strip; 0.25 ... 0.5 mm <sup>2</sup>			
	light gray	2002-171	200 (25)

Insulation stop; 5 pcs/strip; 0.75 ... 1 mm <sup>2</sup>			
	dark gray	2002-172	200 (25)

Push-in type jumper bar; insulated; I <sub>N</sub> 25 A; light gray			
	2-way	2002-402	25
	3-way	2002-403	25
	4-way	2002-404	25
	5-way	2002-405	25
	6-way	2002-406	25
	7-way	2002-407	25
	8-way	2002-408	25
	9-way	2002-409	25
	10-way	2002-410	25

Push-in type jumper bar; insulated; I <sub>N</sub> 25 A; light gray			
	1 to 3	2002-433	25
	1 to 4	2002-434	25
	1 to 5	2002-435	25
	1 to 6	2002-436	25
	1 to 7	2002-437	25
	1 to 8	2002-438	25
	1 to 9	2002-439	25
	1 to 10	2002-440	25

Push-in type wire jumper; insulated; 1.5 mm <sup>2</sup> conductor cross-section; I <sub>N</sub> 18 A			
	L = 60 mm	2009-412	100 (10)
	L = 110 mm	2009-414	100 (10)
	L = 250 mm	2009-416	100 (10)



① Conductor range: 0.25 ... 4 mm<sup>2</sup> "s+f-st"  
Push-in termination: 1 ... 4 mm<sup>2</sup> "s" and 1 ... 2.5 mm<sup>2</sup> "insulated ferrules, 12 mm"  
Depending on the conductor characteristic, a conductor with a smaller cross-section can also be inserted via push-in termination.

② 250 V / 400 V = rated voltage  
4 kV / 6 kV = rated impulse voltage  
3 = pollution degree  
250 V/4 kV potential – ground  
400 V/6 kV potential – potential

See application notes in our TOPJOB® S catalog:  
Jumpers, from page 166  
Testing accessories, page 165  
Marking accessories, from page 266

Approvals and corresponding ratings,  
visit [www.wago.com](http://www.wago.com)

#### Accessories; 2203 Series

Appropriate marking systems:  
WMB/WMB Inline/Marking strips

#### Staggered jumper; insulated; I<sub>N</sub> 25 A; light gray



2-way	2002-472	25
3-way	2002-473	25
4-way	2002-474	25
5-way	2002-475	25
6-way	2002-476	25
7-way	2002-477	25
8-way	2002-478	25
9-way	2002-479	25
10-way	2002-480	25
11-way	2002-481	25
12-way	2002-482	25

#### Customized staggered jumper; insulated; with contact lugs broken off at the factory and circuit printing; I<sub>N</sub> 25 A; light gray



1-3	2002-473/011-000	25
1-3-5	2002-475/011-000	25
1-3-5-7	2002-477/011-000	25
1-3-5-7-9	2002-479/011-000	25
1-3-5-7-9-11	2002-481/011-000	25

#### Adjacent jumper for continuous commoning; insulated; I<sub>N</sub> 25 A; light gray



2-way	2002-400	25
-------	----------	----

#### Adjacent jumper for continuous commoning; insulated; I<sub>N</sub> 25 A; 1 to 3



light gray	2002-423	25
red	2002-423/000-005	25
blue	2002-423/000-006	25

#### Test plug adapter; for 4 mm Ø test plug



gray	2009-174	100 (25)
------	----------	----------

#### Testing tap; for max. 2.5 mm<sup>2</sup>



gray	2009-182	100 (25)
------	----------	----------

#### Marking strip; plain; 11 mm wide; 50 m reel



white	2009-110	1
-------	----------	---

#### WMB Inline; plain; 1,500 WMB markers (5 mm)/reel; stretchable 5 ... 5.2 mm



white	2009-115	1
-------	----------	---

#### Accessories; 2203 Series

Appropriate marking systems:  
WMB/WMB Inline/Marking strips

WMB marker card; white; 10 strips with 10 markers/card; stretchable 5 ... 5.2 mm



plain	793-5501	5
-------	----------	---

Operating tool; 3.5 mm and 2.5 mm blade; for TOPJOB® S Installation Terminal Blocks



2009-309	50 (1)
----------	--------

Operating tool; 3.5 mm and 5.5 mm blade; for TOPJOB® S Installation Terminal Blocks



2009-310	50 (1)
----------	--------

Operating tool; (3.5 x 0.5) mm blade; with a partially insulated shaft

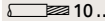


210-720	1
---------	---

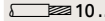
## Multilevel Installation Terminal Block TOPJOB® S; with Operating Slot and Push-Button

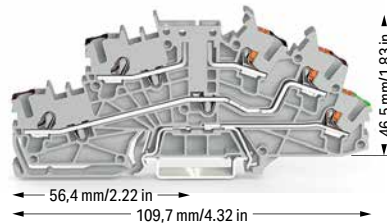
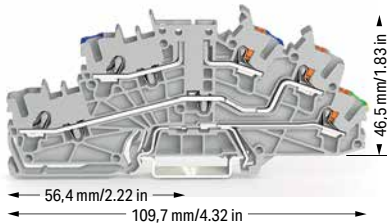
### 2.5 (4) mm<sup>2</sup>; 2203 Series

#### Technical Data

0.25 ... 2.5 (4) mm <sup>2</sup> ①	22 ... 12 AWG
250 V/4 kV/3; 22 A (27 A) ②	
400 V/6 kV/3; 22 A (27 A) ②	
Terminal block width: 5.2 mm / 0.205 inch	
 10 ... 12 mm / 0.39 ... 0.47 inch	

#### Technical Data

0.25 ... 2.5 (4) mm <sup>2</sup> ①	22 ... 12 AWG
250 V/4 kV/3; 22 A (27 A) ②	
400 V/6 kV/3; 22 A (27 A) ②	
Terminal block width: 5.2 mm / 0.205 inch	
 10 ... 12 mm / 0.39 ... 0.47 inch	



Multilevel installation terminal block; with operating slot and push-button; carrier terminal block without knife disconnect; gray

	Item No.	Pack. Unit
○ N/L/PE	2203-6540	50

Multilevel installation terminal block; carrier terminal block; with operating slot and push-button without knife disconnect; blue middle-deck; green-yellow lower-deck printing; gray

○ L/N/PE	2203-6561	50
----------	-----------	----

Multilevel installation terminal block; with operating slot and push-button; carrier terminal block without knife disconnect; black upper-deck, brown middle-deck, green-yellow lower-deck printing

	Item No.	Pack. Unit
○ P2/P1/PE	2203-6543	50

Multilevel installation terminal block; with operating slot and push-button; carrier terminal block without knife disconnect; brown upper-deck, black middle-deck, green-yellow lower-deck printing

○ P1/P2/PE	2203-6560	50
------------	-----------	----

#### Accessories; 2203 Series

Appropriate marking systems: WMB/WMB Inline/Marking strips

#### N/L-test plug adapter; for vertical test slot; gray

2-pole	2003-499	100 (25)
--------	----------	----------

#### N-test plug adapter; for vertical test slot; gray

1-pole	2003-500	100 (25)
--------	----------	----------

#### End and intermediate plate; 0.8 mm thick

orange	2203-6692	100 (25)
--------	-----------	----------

Fuse plug with pull-tab; for (5 x 20) mm glass cartridge fuse  
Electrical ratings are given by the fuse.

gray	2004-911	50
------	----------	----

End and intermediate plate; only for use with fuse plugs;  
1 mm thick

orange	2203-6693	100 (25)
--------	-----------	----------

Double-fuse plug; for (5 x 20) mm glass cartridge fuse  
Electrical ratings are given by the fuse.

gray	2003-911	25
gray	2003-911/1000-923	25

End and intermediate plate; 1 mm thick; only for use with  
double-fuse plugs

orange	2203-6694	100 (25)
--------	-----------	----------

#### Push-in type jumper bar; insulated; I<sub>N</sub> 25 A; light gray

2-way	2002-402	25
3-way	2002-403	25
4-way	2002-404	25
5-way	2002-405	25
6-way	2002-406	25
7-way	2002-407	25
8-way	2002-408	25
9-way	2002-409	25
10-way	2002-410	25

#### Push-in type jumper bar; insulated; I<sub>N</sub> 25 A; light gray

1 to 3	2002-433	25
1 to 4	2002-434	25
1 to 5	2002-435	25
1 to 6	2002-436	25
1 to 7	2002-437	25
1 to 8	2002-438	25
1 to 9	2002-439	25
1 to 10	2002-440	25

Adjacent jumper for continuous commoning; insulated;  
I<sub>N</sub> 25 A; light gray

2-way	2002-400	25
-------	----------	----

Adjacent jumper for continuous commoning; insulated;  
I<sub>N</sub> 25 A; 1 to 3

light gray	2002-423	25
red	2002-423/000-005	25
blue	2002-423/000-006	25

Push-in type wire jumper; insulated; 1.5 mm<sup>2</sup> conductor  
cross-section; I<sub>N</sub> 18 A

L = 60 mm	2009-412	100 (10)
L = 110 mm	2009-414	100 (10)
L = 250 mm	2009-416	100 (10)

① Conductor range: 0.25 ... 4 mm<sup>2</sup> "s+f-st"  
Push-in termination: 1 ... 4 mm<sup>2</sup> "s" and 1 ... 2.5 mm<sup>2</sup> "insulated ferrules, 12 mm"  
Depending on the conductor characteristic, a conductor with a smaller cross-section can also be inserted via push-in termination.

② 250 V / 400 V = rated voltage  
4 kV / 6 kV = rated impulse voltage  
3 = pollution degree  
250 V/4 kV potential – ground  
400 V/6 kV potential – potential  
Maximum current depends on accessories used.

See application notes in our TOPJOB® S catalog:  
Jumpers, from page 166  
Testing accessories, page 165  
Marking accessories, from page 266

Approvals and corresponding ratings,  
visit [www.wago.com](http://www.wago.com)

#### Accessories; 2203 Series

Appropriate marking systems:  
WMB/WMB Inline/Marking strips

#### Staggered jumper; insulated; I<sub>N</sub> 25 A; light gray

2-way	2002-472	25
3-way	2002-473	25
4-way	2002-474	25
5-way	2002-475	25
6-way	2002-476	25
7-way	2002-477	25
8-way	2002-478	25
9-way	2002-479	25
10-way	2002-480	25
11-way	2002-481	25
12-way	2002-482	25

Customized staggered jumper; insulated; with contact  
lugs broken off at the factory and circuit printing; I<sub>N</sub> 25 A;  
light gray

1-3	2002-473/011-000	25
1-3-5	2002-475/011-000	25
1-3-5-7	2002-477/011-000	25
1-3-5-7-9	2002-479/011-000	25
1-3-5-7-9-11	2002-481/011-000	25

#### Test plug adapter; for 4 mm Ø test plug

gray	2009-174	100 (25)
------	----------	----------

#### Testing tap; for max. 2.5 mm<sup>2</sup>

gray	2009-182	100 (25)
------	----------	----------

#### Marking strip; plain; 11 mm wide; 50 m reel

white	2009-110	1
-------	----------	---

WMB Inline; plain; 1,500 WMB markers (5 mm)/reel;  
stretchable 5 ... 5.2 mm

white	2009-115	1
-------	----------	---

WMB marker card; white; 10 strips with 10 markers/card;  
stretchable 5 ... 5.2 mm

plain	793-5501	5
-------	----------	---

**Accessories; 2203 Series**

Appropriate marking systems:  
WMB/WMB Inline/Marking strips

Operating tool; 3.5 mm and 2.5 mm blade; for TOPJOB® S Installation Terminal Blocks



2009-309 50 (1)

Operating tool; 3.5 mm and 5.5 mm blade; for TOPJOB® S Installation Terminal Blocks



2009-310 50 (1)

Operating tool; (3.5 x 0.5) mm blade; with a partially insulated shaft



210-720 1

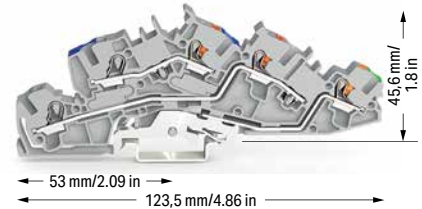
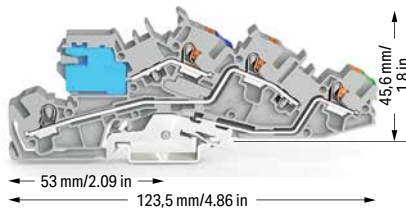
# Multilevel Installation Terminal Block TOPJOB® S; with Operating Slot and Push-Button; with N-Disconnect Slide Link

## 4 (6) mm<sup>2</sup>; 2205 Series

Technical Data	
0.5 ... 4 (6) mm <sup>2</sup> ①	20 ... 10 AWG
250 V/4 kV/3; 31 A (35 A) ②	
400 V/6 kV/3; 31 A (35 A) ②	
Terminal block width: 6.2 mm / 0.244 inch	
11 ... 13 mm / 0.43 ... 0.51 inch	

Technical Data	
0.5 ... 4 (6) mm <sup>2</sup> ①	20 ... 10 AWG
400 V/6 kV/3 ②	
I <sub>N</sub> 32 A (36 A)	
Terminal block width: 6.2 mm / 0.244 inch	
11 ... 13 mm / 0.43 ... 0.51 inch	

Technical Data	
0.5 ... 4 (6) mm <sup>2</sup> ①	20 ... 10 AWG
250 V/4 kV/3; 32 A (36 A) ②	
400 V/6 kV/3; 32 A (36 A) ②	
Terminal block width: 6.2 mm / 0.244 inch	
11 ... 13 mm / 0.43 ... 0.51 inch	



Multilevel installation terminal block; with operating slot and push-button; with N-disconnect slide link; gray

	Item No.	Pack. Unit
○ NT/L/PE	2205-7541	50

Multilevel installation terminal block; with operating slot and push-button; gray

	Item No.	Pack. Unit
○ L/L	2205-7542	50
○ N/L	2205-7549	50

Multilevel installation terminal block; with operating slot and push-button; gray

	Item No.	Pack. Unit
○ N/L/PE	2205-7546	50
○ L/L/PE	2205-7545	50

### Accessories; 2205 Series

Appropriate marking systems: WMB/Marking strips

End and intermediate plate; 1 mm thick

orange	2205-7692	100 (25)
--------	-----------	----------

Busbar carrier; not suitable as an end stop; snaps onto DIN-35 rail; 1.5 mm thick

blue	2009-304	100 (25)
------	----------	----------

Busbar carrier; with end stop function and detachable separator plate; snaps onto DIN-35 rail; 7.5 mm thick

blue	2009-305	25
------	----------	----

Busbar; tin-plated; 1000 mm long; copper (10 x 3) mm

I <sub>N</sub> 140 A	210-133	1
----------------------	---------	---

Busbar cover; 1000 mm long

transparent	777-303	1
-------------	---------	---

1-conductor N-disconnect terminal block; I<sub>N</sub> 76 A; 16 mm<sup>2</sup>; 12 mm wide

blue	2016-7714	20
------	-----------	----

1-conductor N-disconnect terminal block; I<sub>N</sub> 125 A; 35 mm<sup>2</sup>; 16 mm wide

blue	785-613	15
------	---------	----

2-conductor supply terminal block for distribution boxes; I<sub>N</sub> 76 A; 16 mm<sup>2</sup>; 12 mm wide

gray	2016-7601	20
blue	2016-7604	20

2-conductor through terminal block; I<sub>N</sub> 125 A; 35 mm<sup>2</sup>; 16 mm wide

gray	785-601	15
blue	785-604	15

2-conductor ground terminal block; 16 mm<sup>2</sup>; 12 mm wide

green-yellow	2016-7607	20
--------------	-----------	----

2-conductor ground terminal block; 35 mm<sup>2</sup>; 16 mm wide

green-yellow	785-607	15
--------------	---------	----

Connector; for busbar; with blue cover; 2.5 ... 16 mm<sup>2</sup>

blue	210-281	100 (50)
------	---------	----------

Connector; for busbar; 2.5 ... 35 mm<sup>2</sup>

uninsulated	209-105	50
-------------	---------	----

Lock-out; prevents reclosing of slide link; snap-on type

orange	2005-7300	100 (25)
--------	-----------	----------

Insulation stop; 5 pcs/strip; 0.25 ... 0.5 mm<sup>2</sup>

light gray	2004-171	200 (25)
------------	----------	----------

Insulation stop; 5 pcs/strip; 0.75 ... 1 mm<sup>2</sup>

dark gray	2004-172	200 (25)
-----------	----------	----------

Push-in type jumper bar; insulated; I<sub>N</sub> 32 A; light gray

2-way	2004-402	25
3-way	2004-403	25
4-way	2004-404	25
5-way	2004-405	25
6-way	2004-406	25
7-way	2004-407	25
8-way	2004-408	25
9-way	2004-409	25
10-way	2004-410	25

Push-in type jumper bar; insulated; I<sub>N</sub> 32 A; light gray

1 to 3	2004-433	25
1 to 4	2004-434	25
1 to 5	2004-435	25
1 to 6	2004-436	25
1 to 7	2004-437	25
1 to 8	2004-438	25
1 to 9	2004-439	25
1 to 10	2004-440	25

Test plug adapter; for 4 mm Ø test plug

gray	2009-174	100 (25)
------	----------	----------

Testing tap; for max. 2.5 mm<sup>2</sup>

gray	2009-182	100 (25)
------	----------	----------

Marking strip; plain; 11 mm wide; 50 m reel

white	2009-110	1
-------	----------	---

WMB marker card; white; 10 strips with 10 markers/card; stretchable 5 ... 5.2 mm

plain	793-5501	5
-------	----------	---

Operating tool; 3.5 mm and 2.5 mm blade; for TOPJOB® S Installation Terminal Blocks

	2009-309	50 (1)
--	----------	--------

Operating tool; 3.5 mm and 5.5 mm blade; for TOPJOB® S Installation Terminal Blocks

	2009-310	50 (1)
--	----------	--------

Operating tool; (3.5 x 0.5) mm blade; with a partially insulated shaft

	210-720	1
--	---------	---

① Conductor range: 0.5 ... 6 mm<sup>2</sup> "s+f-st"  
 Push-in termination: 1.5 ... 6 mm<sup>2</sup> "s" and 1.5 ... 4 mm<sup>2</sup> "insulated ferrules, 12 mm"  
 Depending on the conductor characteristic, a conductor with a smaller cross-section can also be inserted via push-in termination.

② 250 V / 400 V = rated voltage  
 4 kV / 6 kV = rated impulse voltage  
 3 = pollution degree  
 250 V/4 kV potential – ground  
 400 V/6 kV potential – potential

See application notes in our TOPJOB® S catalog:  
 Testing accessories, page 165  
 Marking accessories, from page 266

Approvals and corresponding ratings,  
 visit [www.wago.com](http://www.wago.com)

**Application note:**

N-disconnect slide links, used in installation terminal blocks, consist of switch contacts that are opened and then closed again as part of regular circuit testing. To guarantee a reliable connection, a corrosion-resistant contact area is required on the N-busbar.

Historically, uninsulated copper busbars that have been cleaned/stripped of any possible corrosion before install can be used in dry, pollution-free locations.

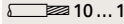
According to DIN VDE 0100-520 (VDE 0100, Part 520), installation equipment exposed to contamination or corrosive substances (e.g., water) that promote corrosion or deterioration must be protected or made of a corrosion- or wear-resistant material. In these cases, tinned copper busbars guarantee a reliable connection.

WAGO only offers tinned copper busbars.

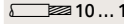
# Multilevel Installation Terminal Block TOPJOB® S; with Push-Button; with N-Disconnect Slide Link

## 2.5 (4) mm<sup>2</sup>; 2203 Series

### Technical Data

0.25 ... 2.5 (4) mm<sup>2</sup> ① | 22 ... 12 AWG  
 250 V/4 kV/3; 24 A (29 A) ②  
 400 V/6 kV/3; 24 A (29 A) ②  
 Terminal block width: 5.2 mm / 0.205 inch  
 10 ... 12 mm / 0.39 ... 0.47 inch

### Technical Data

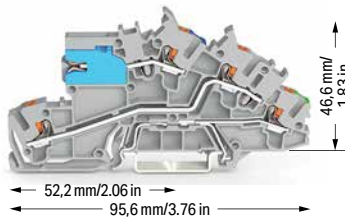
0.25 ... 2.5 (4) mm<sup>2</sup> ① | 22 ... 12 AWG  
 400 V/6 kV/3 ②  
 I<sub>N</sub> 24 A (31 A)  
 Terminal block width: 5.2 mm / 0.205 inch  
 10 ... 12 mm / 0.39 ... 0.47 inch

① Conductor range: 0.25 ... 4 mm<sup>2</sup> "s+f-st"  
 Push-in termination: 1 ... 4 mm<sup>2</sup> "s" and 1 ... 2.5 mm<sup>2</sup> "insulated ferrules, 12 mm"  
 Depending on the conductor characteristic, a conductor with a smaller cross-section can also be inserted via push-in termination.

② 250 V / 400 V = rated voltage  
 4 kV / 6 kV = rated impulse voltage  
 3 = pollution degree  
 250 V/4 kV potential – ground  
 400 V/6 kV potential – potential

See application notes in our TOPJOB® S catalog:  
 Jumpers, from page 166  
 Testing accessories, page 165  
 Marking accessories, from page 266

Approvals and corresponding ratings, visit [www.wago.com](http://www.wago.com)



Multilevel installation terminal block; with push-button; with N-disconnect slide link; gray

	Item No.	Pack. Unit
○ NT/L/PE	2203-7641	50

Multilevel installation terminal block; with push-button; gray

	Item No.	Pack. Unit
○ L/L	2203-7642	50
○ N/L	2203-7649	50


### Accessories; 2203 Series

Appropriate marking systems:  
 WMB/WMB Inline/Marking strips


2-conductor through terminal block; I<sub>N</sub> 125 A; 35 mm<sup>2</sup>; 16 mm wide

 gray	785-601	15
blue	785-604	15

2-conductor ground terminal block; 16 mm<sup>2</sup>; 12 mm wide

 green-yellow	2016-7607	20
---	-----------	----


2-conductor ground terminal block; 35 mm<sup>2</sup>; 16 mm wide

 green-yellow	785-607	15
--	---------	----

Connector; for busbar; with blue cover; 2.5 ... 16 mm<sup>2</sup>

 blue	210-281	100 (50)
--	---------	----------


Connector; for busbar; 2.5 ... 35 mm<sup>2</sup>

 uninsulated	209-105	50
---	---------	----


Lock-out; prevents reclosing of slide link; snap-on type

 orange	2003-7300	100 (25)
--	-----------	----------


Insulation stop; 5 pcs/strip; 0.25 ... 0.5 mm<sup>2</sup>

 light gray	2002-171	200 (25)
--	----------	----------

Insulation stop; 5 pcs/strip; 0.75 ... 1 mm<sup>2</sup>

 dark gray	2002-172	200 (25)
---	----------	----------

Push-in type jumper bar; insulated; I<sub>N</sub> 25 A; light gray

 2-way	2002-402	25
3-way	2002-403	25
4-way	2002-404	25
5-way	2002-405	25
6-way	2002-406	25
7-way	2002-407	25
8-way	2002-408	25
9-way	2002-409	25
10-way	2002-410	25

Multilevel installation terminal block; with push-button; with N-disconnect slide link; gray

	Item No.	Pack. Unit
○ NT/L	2203-7640	50
○ LT/L	2203-7659	50

Multilevel installation terminal block; with push-button; gray

	Item No.	Pack. Unit
○ L	2203-7650	50
○ N	2203-7651	50


Multilevel installation terminal block; with push-button; gray

○ N/L/PE	2203-7646	50
○ L/L/PE	2203-7645	50


### Accessories; 2203 Series

Appropriate marking systems: WMB/WMB Inline/Marking strips

End and intermediate plate; 0.8 mm thick

 orange	2203-7692	100 (25)
---	-----------	----------


Busbar cover; 1000 mm long

 transparent	777-303	1
---	---------	---


Busbar carrier; not suitable as an end stop; snaps onto DIN-35 rail; 1.5 mm thick

 blue	2009-304	100 (25)
---	----------	----------


1-conductor N-disconnect terminal block; I<sub>N</sub> 76 A; 16 mm<sup>2</sup>; 12 mm wide

 blue	2016-7714	20
--	-----------	----


Busbar carrier; with end stop function and detachable separator plate; snaps onto DIN-35 rail; 7.5 mm thick

 blue	2009-305	25
---	----------	----


1-conductor N-disconnect terminal block; I<sub>N</sub> 125 A; 35 mm<sup>2</sup>; 16 mm wide

 blue	785-613	15
--	---------	----

Busbar; tin-plated; 1000 mm long; copper (10 x 3) mm

 I <sub>N</sub> 140 A	210-133	1
---	---------	---

2-conductor supply terminal block for distribution boxes; I<sub>N</sub> 76 A; 16 mm<sup>2</sup>; 12 mm wide

 gray	2016-7601	20
blue	2016-7604	20

## Accessories; 2203 Series

Appropriate marking systems:  
WMB/WMB Inline/Marking stripsPush-in type jumper bar; insulated; I<sub>N</sub> 25 A; light gray

1 to 3	2002-433	25
1 to 4	2002-434	25
1 to 5	2002-435	25
1 to 6	2002-436	25
1 to 7	2002-437	25
1 to 8	2002-438	25
1 to 9	2002-439	25
1 to 10	2002-440	25

Staggered jumper; insulated; I<sub>N</sub> 25 A; light gray

2-way	2002-472	25
3-way	2002-473	25
4-way	2002-474	25
5-way	2002-475	25
6-way	2002-476	25
7-way	2002-477	25
8-way	2002-478	25
9-way	2002-479	25
10-way	2002-480	25
11-way	2002-481	25
12-way	2002-482	25

Customized staggered jumper; insulated; with contact lugs broken off at the factory and circuit printing; I<sub>N</sub> 25 A; light gray

1-3	2002-473/011-000	25
1-3-5	2002-475/011-000	25
1-3-5-7	2002-477/011-000	25
1-3-5-7-9	2002-479/011-000	25
1-3-5-7-9-11	2002-481/011-000	25

Adjacent jumper for continuous commoning; insulated; I<sub>N</sub> 25 A; light gray

2-way	2002-400	25
-------	----------	----

Adjacent jumper for continuous commoning; insulated; I<sub>N</sub> 25 A; 1 to 3

light gray	2002-423	25
red	2002-423/000-005	25
blue	2002-423/000-006	25

Push-in type wire jumper; insulated; 1.5 mm<sup>2</sup> conductor cross-section; I<sub>N</sub> 18 A

L = 60 mm	2009-412	100 (10)
L = 110 mm	2009-414	100 (10)
L = 250 mm	2009-416	100 (10)

## Test plug adapter; for 4 mm Ø test plug



gray	2009-174	100 (25)
------	----------	----------

Testing tap; for max. 2.5 mm<sup>2</sup>

gray	2009-182	100 (25)
------	----------	----------

## Marking strip; plain; 11 mm wide; 50 m reel



white	2009-110	1
-------	----------	---

## WMB Inline; plain; 1,500 WMB markers (5 mm)/reel; stretchable 5 ... 5.2 mm



white	2009-115	1
-------	----------	---

## Accessories; 2203 Series

Appropriate marking systems:  
WMB/WMB Inline/Marking strips

## WMB marker card; white; 10 strips with 10 markers/card; stretchable 5 ... 5.2 mm



plain	793-5501	5
-------	----------	---

## Operating tool; 3.5 mm and 2.5 mm blade; for TOPJOB® S Installation Terminal Blocks



2009-309	50 (1)
----------	--------

## Operating tool; 3.5 mm and 5.5 mm blade; for TOPJOB® S Installation Terminal Blocks



2009-310	50 (1)
----------	--------

## Operating tool; (3.5 x 0.5) mm blade; with a partially insulated shaft



210-720	1
---------	---

## TOPJOB® S – Terminal Blocks for Every Application

- Push-in termination of solid conductors in small distribution boards saves time and money.
- Operating errors can be prevented as all TOPJOB® S Terminal Blocks for building installations are equipped with push-in connection technology.
- Using standard accessories reduces order processing and inventory costs.
- The busbar position is the same, making TOPJOB® S Installation Terminal Blocks compatible with standard TOPJOB® Installation Terminal Blocks.

For constructing and operating power installations in fire-prone, hazardous locations or public buildings – such as conference centers, stores, hospitals, schools, theaters or hotels – the DIN VDE 0100-710 or DIN VDE 0100-718 standards shall be observed. DIN VDE 0100-482 shall also be observed for fire-prone, hazardous locations. These VDE regulations mandate that every neutral conductor must be provided with a disconnection device so, e.g., insulation resistance measurement is possible for every circuit without disconnecting the N-conductor. WAGO's N-disconnect terminal blocks meet this requirement.

## Application note:

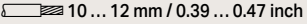
N-disconnect slide links, used in installation terminal blocks, consist of switch contacts that are opened and then closed again as part of regular circuit testing. To guarantee a reliable connection, a corrosion-resistant contact area is required on the N-busbar.

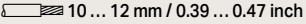
Historically, uninsulated copper busbars that have been cleaned/stripped of any possible corrosion before install can be used in dry, pollution-free locations.

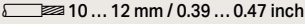
According to DIN VDE 0100-520 (VDE 0100, Part 520), installation equipment exposed to contamination or corrosive substances (e.g., water) that promote corrosion or deterioration must be protected or made of a corrosion- or wear-resistant material. In these cases, tinned copper busbars guarantee a reliable connection.

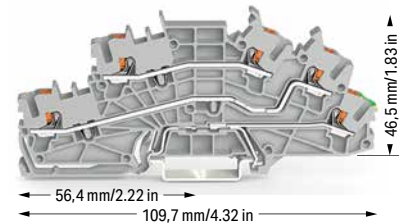
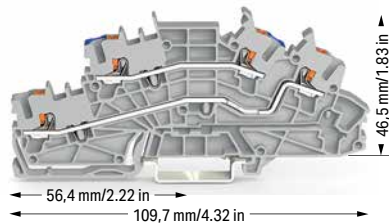
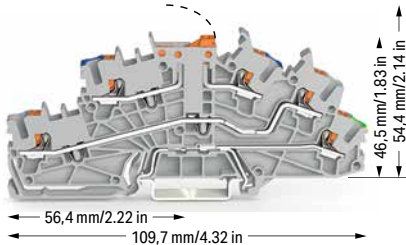
WAGO only offers tinned copper busbars.

# Multilevel Installation Terminal Block TOPJOB® S; with Push-Button; with Internal N-Disconnect 2.5 (4) mm<sup>2</sup>; 2203 Series

Technical Data	
0.25 ... 2.5 (4) mm <sup>2</sup> ①	22 ... 12 AWG
250 V/4 kV/3; 22 A (27 A) ②	
400 V/6 kV/3; 22 A (27 A) ②	
Terminal block width: 5.2 mm / 0.205 inch	
 10 ... 12 mm / 0.39 ... 0.47 inch	

Technical Data	
0.25 ... 2.5 (4) mm <sup>2</sup> ①	22 ... 12 AWG
400 V/6 kV/3 ②	
I <sub>N</sub> 24 A (31 A)	
Terminal block width: 5.2 mm / 0.205 inch	
 10 ... 12 mm / 0.39 ... 0.47 inch	

Technical Data	
0.25 ... 2.5 (4) mm <sup>2</sup> ①	22 ... 12 AWG
250 V/4 kV/3; 24 A (31 A) ②	
400 V/6 kV/3; 24 A (31 A) ②	
Terminal block width: 5.2 mm / 0.205 inch	
 10 ... 12 mm / 0.39 ... 0.47 inch	





Multilevel installation terminal block; with push-button; with pivoting knife disconnect; gray		
	Item No.	Pack. Unit
<input type="radio"/> NT/L/PE	2203-6641	50
<input type="radio"/> LT/L/PE	2203-6644	50

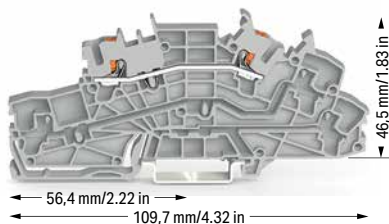
Multilevel installation terminal block; with push-button; gray		
	Item No.	Pack. Unit
<input type="radio"/> L/L	2203-6642	50
<input type="radio"/> N/L	2203-6649	50

Multilevel installation terminal block; with push-button; gray		
	Item No.	Pack. Unit
<input type="radio"/> N/L/PE	2203-6646	50
<input type="radio"/> L/L/PE	2203-6645	50

### Item-Specific Accessories

N/L-test plug adapter; for vertical test slot; gray			
	2-pole	2003-499	100 (25)


N-test plug adapter; for vertical test slot; gray			
	1-pole	2003-500	100 (25)





Multilevel installation terminal block; with push-button; gray		
	Item No.	Pack. Unit
<input type="radio"/> L	2203-6650	50
<input type="radio"/> N	2203-6651	50


### Accessories; 2203 Series


Appropriate marking systems: WMB/WMB Inline/Marking strips


End and intermediate plate; 0.8 mm thick			
	orange	2203-6692	100 (25)

Insulation stop; 5 pcs/strip; 0.25 ... 0.5 mm <sup>2</sup>			
	light gray	2002-171	200 (25)

Insulation stop; 5 pcs/strip; 0.75 ... 1 mm <sup>2</sup>			
	dark gray	2002-172	200 (25)

Push-in type jumper bar; insulated; I <sub>N</sub> 25 A; light gray			
	2-way	2002-402	25
	3-way	2002-403	25
	4-way	2002-404	25
	5-way	2002-405	25
	6-way	2002-406	25
	7-way	2002-407	25
	8-way	2002-408	25
	9-way	2002-409	25
	10-way	2002-410	25

Push-in type jumper bar; insulated; I <sub>N</sub> 25 A; light gray			
	1 to 3	2002-433	25
	1 to 4	2002-434	25
	1 to 5	2002-435	25
	1 to 6	2002-436	25
	1 to 7	2002-437	25
	1 to 8	2002-438	25
	1 to 9	2002-439	25
	1 to 10	2002-440	25

Push-in type wire jumper; insulated; 1.5 mm <sup>2</sup> conductor cross-section; I <sub>N</sub> 18 A			
	L = 60 mm	2009-412	100 (10)
	L = 110 mm	2009-414	100 (10)
	L = 250 mm	2009-416	100 (10)



① Conductor range: 0.25 ... 4 mm<sup>2</sup> "s+f-st"  
Push-in termination: 1 ... 4 mm<sup>2</sup> "s" and 1 ... 2.5 mm<sup>2</sup> "insulated ferrules, 12 mm"  
Depending on the conductor characteristic, a conductor with a smaller cross-section can also be inserted via push-in termination.

② 250 V / 400 V = rated voltage  
4 kV / 6 kV = rated impulse voltage  
3 = pollution degree  
250 V/4 kV potential – ground  
400 V/6 kV potential – potential


See application notes in our TOPJOB® S catalog:  
Jumpers, from page 166  
Testing accessories, page 165  
Marking accessories, from page 266

Approvals and corresponding ratings,  
visit [www.wago.com](http://www.wago.com)


#### Accessories; 2203 Series

Appropriate marking systems:  
WMB/WMB Inline/Marking strips

#### Staggered jumper; insulated; I<sub>N</sub> 25 A; light gray

	2-way	2002-472	25
	3-way	2002-473	25
	4-way	2002-474	25
	5-way	2002-475	25
	6-way	2002-476	25
	7-way	2002-477	25
	8-way	2002-478	25
	9-way	2002-479	25
	10-way	2002-480	25
	11-way	2002-481	25
	12-way	2002-482	25

#### Customized staggered jumper; insulated; with contact lugs broken off at the factory and circuit printing; I<sub>N</sub> 25 A; light gray

	1-3	2002-473/011-000	25
	1-3-5	2002-475/011-000	25
	1-3-5-7	2002-477/011-000	25
	1-3-5-7-9	2002-479/011-000	25
	1-3-5-7-9-11	2002-481/011-000	25

#### Adjacent jumper for continuous commoning; insulated; I<sub>N</sub> 25 A; light gray

	2-way	2002-400	25
---	-------	----------	----

#### Adjacent jumper for continuous commoning; insulated; I<sub>N</sub> 25 A; 1 to 3

	light gray	2002-423	25
	red	2002-423/000-005	25
	blue	2002-423/000-006	25

#### Test plug adapter; for 4 mm Ø test plug

	gray	2009-174	100 (25)
---	------	----------	----------

#### Testing tap; for max. 2.5 mm<sup>2</sup>

	gray	2009-182	100 (25)
---	------	----------	----------

#### Marking strip; plain; 11 mm wide; 50 m reel

	white	2009-110	1
---	-------	----------	---


#### WMB Inline; plain; 1,500 WMB markers (5 mm)/reel; stretchable 5 ... 5.2 mm

	white	2009-115	1
---	-------	----------	---

#### Accessories; 2203 Series

Appropriate marking systems:  
WMB/WMB Inline/Marking strips

WMB marker card; white; 10 strips with 10 markers/card; stretchable 5 ... 5.2 mm

	plain	793-5501	5
---	-------	----------	---

Operating tool; 3.5 mm and 2.5 mm blade; for TOPJOB® S Installation Terminal Blocks

	2009-309	50 (1)
---	----------	--------

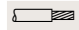
Operating tool; 3.5 mm and 5.5 mm blade; for TOPJOB® S Installation Terminal Blocks

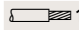
	2009-310	50 (1)
---	----------	--------

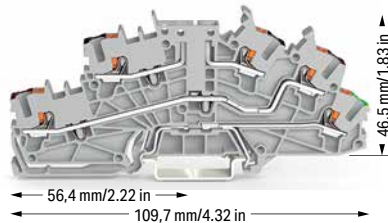
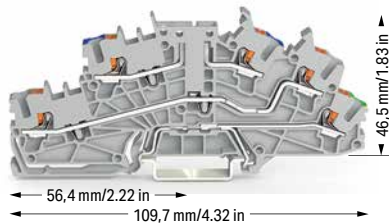
Operating tool; (3.5 x 0.5) mm blade; with a partially insulated shaft

	210-720	1
---	---------	---

# Multilevel Installation Terminal Block TOPJOB® S; with Push-Button 2.5 (4) mm<sup>2</sup>; 2203 Series

Technical Data	
0.25 ... 2.5 (4) mm <sup>2</sup> ①	22 ... 12 AWG
250 V/4 kV/3; 22 A (27 A) ②	
400 V/6 kV/3; 22 A (27 A) ②	
Terminal block width: 5.2 mm / 0.205 inch	
 10 ... 12 mm / 0.39 ... 0.47 inch	

Technical Data	
0.25 ... 2.5 (4) mm <sup>2</sup> ①	22 ... 12 AWG
250 V/4 kV/3; 22 A (27 A) ②	
400 V/6 kV/3; 22 A (27 A) ②	
Terminal block width: 5.2 mm / 0.205 inch	
 10 ... 12 mm / 0.39 ... 0.47 inch	



Multilevel installation terminal block; with push-button; carrier terminal block without knife disconnect; gray

	Item No.	Pack. Unit
○ N/L/PE	2203-6640	50

Multilevel installation terminal block; with push-button; carrier terminal block without knife disconnect; black upper-deck, brown middle-deck, green-yellow lower-deck printing

	Item No.	Pack. Unit
○ P2/P1/PE	2203-6643	50

Multilevel installation terminal block; carrier terminal block; with push-button without knife disconnect; blue middle-deck; green-yellow lower-deck printing; gray

	Item No.	Pack. Unit
○ L/N/PE	2203-6661	50

Multilevel installation terminal block; with push-button; carrier terminal block without knife disconnect; brown upper-deck, black middle-deck, green-yellow lower-deck printing

	Item No.	Pack. Unit
○ P1/P2/PE	2203-6660	50

**Accessories; 2203 Series**  
Appropriate marking systems: WMB/WMB Inline/Marking strips

N/L-test plug adapter; for vertical test slot; gray

2-pole	2003-499	100 (25)
--------	----------	----------

Push-in type jumper bar; insulated; I<sub>N</sub> 25 A; light gray

2-way	2002-402	25
3-way	2002-403	25
4-way	2002-404	25
5-way	2002-405	25
6-way	2002-406	25
7-way	2002-407	25
8-way	2002-408	25
9-way	2002-409	25
10-way	2002-410	25

N-test plug adapter; for vertical test slot; gray

1-pole	2003-500	100 (25)
--------	----------	----------

Push-in type jumper bar; insulated; I<sub>N</sub> 25 A; light gray

1 to 3	2002-433	25
1 to 4	2002-434	25
1 to 5	2002-435	25
1 to 6	2002-436	25
1 to 7	2002-437	25
1 to 8	2002-438	25
1 to 9	2002-439	25
1 to 10	2002-440	25

End and intermediate plate; 0.8 mm thick

orange	2203-6692	100 (25)
--------	-----------	----------

Push-in type wire jumper; insulated; 1.5 mm<sup>2</sup> conductor cross-section; I<sub>N</sub> 18 A

L = 60 mm	2009-412	100 (10)
L = 110 mm	2009-414	100 (10)
L = 250 mm	2009-416	100 (10)

Fuse plug with pull-tab; for (5 x 20) mm glass cartridge fuse  
Electrical ratings are given by the fuse.

gray	2004-911	50
------	----------	----

Adjacent jumper for continuous commoning; insulated; I<sub>N</sub> 25 A; light gray

2-way	2002-400	25
-------	----------	----

End and intermediate plate; only for use with fuse plugs; 1 mm thick

orange	2203-6693	100 (25)
--------	-----------	----------

Adjacent jumper for continuous commoning; insulated; I<sub>N</sub> 25 A; 1 to 3

light gray	2002-423	25
red	2002-423/000-005	25
blue	2002-423/000-006	25

Double-fuse plug; for (5 x 20) mm glass cartridge fuse  
Electrical ratings are given by the fuse.


gray	2003-911	25
------	----------	----

End and intermediate plate; 1 mm thick; only for use with double-fuse plugs


orange	2203-6694	100 (25)
--------	-----------	----------

- Conductor range: 0.25 ... 4 mm<sup>2</sup> "s+f-st"  
Push-in termination: 1 ... 4 mm<sup>2</sup> "s" and 1 ... 2.5 mm<sup>2</sup> "insulated ferrules, 12 mm"  
Depending on the conductor characteristic, a conductor with a smaller cross-section can also be inserted via push-in termination.
  - 250 V / 400 V = rated voltage  
4 kV / 6 kV = rated impulse voltage  
3 = pollution degree  
250 V/4 kV potential – ground  
400 V/6 kV potential – potential  
Maximum current depends on accessories used.
- See application notes in our TOPJOB® S catalog:  
Jumpers, from page 166  
Testing accessories, page 165  
Marking accessories, from page 266
- Approvals and corresponding ratings, visit [www.wago.com](http://www.wago.com)

**Accessories; 2203 Series**  
Appropriate marking systems:  
WMB/WMB Inline/Marking strips

Staggered jumper; insulated; I <sub>N</sub> 25 A; light gray			
	2-way	2002-472	25
	3-way	2002-473	25
	4-way	2002-474	25
	5-way	2002-475	25
	6-way	2002-476	25
	7-way	2002-477	25
	8-way	2002-478	25
	9-way	2002-479	25
	10-way	2002-480	25
	11-way	2002-481	25
	12-way	2002-482	25

Customized staggered jumper; insulated; with contact lugs broken off at the factory and circuit printing; I<sub>N</sub> 25 A; light gray

	1-3	2002-473/011-000	25
	1-3-5	2002-475/011-000	25
	1-3-5-7	2002-477/011-000	25
	1-3-5-7-9	2002-479/011-000	25
	1-3-5-7-9-11	2002-481/011-000	25

Test plug adapter; for 4 mm Ø test plug

gray	2009-174	100 (25)
------	----------	----------

Testing tap; for max. 2.5 mm<sup>2</sup>

gray	2009-182	100 (25)
------	----------	----------

Marking strip; plain; 11 mm wide; 50 m reel

white	2009-110	1
-------	----------	---

WMB Inline; plain; 1,500 WMB markers (5 mm)/reel; stretchable 5 ... 5.2 mm

white	2009-115	1
-------	----------	---

WMB marker card; white; 10 strips with 10 markers/card; stretchable 5 ... 5.2 mm

plain	793-5501	5
-------	----------	---

**Accessories; 2203 Series**

Appropriate marking systems:  
WMB/WMB Inline/Marking strips

Operating tool; 3.5 mm and 2.5 mm blade; for TOPJOB® S Installation Terminal Blocks



2009-309 50 (1)

Operating tool; 3.5 mm and 5.5 mm blade; for TOPJOB® S Installation Terminal Blocks



2009-310 50 (1)

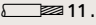
Operating tool; (3.5 x 0.5) mm blade; with a partially insulated shaft

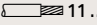


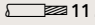
210-720 1

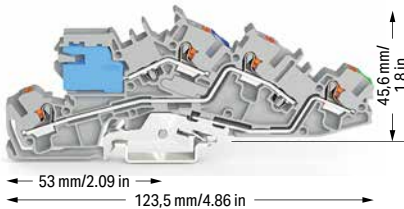
# Multilevel Installation Terminal Block TOPJOB® S; with Push-Button; with N-Disconnect Slide Link

## 4 (6) mm<sup>2</sup>; 2205 Series

Technical Data	
0.5 ... 4 (6) mm <sup>2</sup> ①	20 ... 10 AWG
250 V/4 kV/3; 31 A (35 A) ②	
400 V/6 kV/3; 31 A (35 A) ②	
Terminal block width: 6.2 mm / 0.244 inch	
 11 ... 13 mm / 0.43 ... 0.51 inch	

Technical Data	
0.5 ... 4 (6) mm <sup>2</sup> ①	20 ... 10 AWG
400 V/6 kV/3 ②	
I <sub>N</sub> 32 A (36 A)	
Terminal block width: 6.2 mm / 0.244 inch	
 11 ... 13 mm / 0.43 ... 0.51 inch	

Technical Data	
0.5 ... 4 (6) mm <sup>2</sup> ①	20 ... 10 AWG
250 V/4 kV/3; 32 A (36 A) ②	
400 V/6 kV/3; 32 A (36 A) ②	
Terminal block width: 6.2 mm / 0.244 inch	
 11 ... 13 mm / 0.43 ... 0.51 inch	



Multilevel installation terminal block; with push-button; with N-disconnect slide link; gray

	Item No.	Pack. Unit
○ NT/L/PE	2205-7641	50

Multilevel installation terminal block; with push-button; gray

	Item No.	Pack. Unit
○ L/L	2205-7642	50
○ N/L	2205-7649	50

Multilevel installation terminal block; with push-button; gray

	Item No.	Pack. Unit
○ N/L/PE	2205-7646	50
○ L/L/PE	2205-7645	50

Accessories; 2205 Series


End and intermediate plate; 1 mm thick

 orange	2205-7692	100 (25)
--	-----------	----------


Busbar carrier; not suitable as an end stop; snaps onto DIN-35 rail; 1.5 mm thick

 blue	2009-304	100 (25)
---	----------	----------


Busbar carrier; with end stop function and detachable separator plate; snaps onto DIN-35 rail; 7.5 mm thick

 blue	2009-305	25
---	----------	----

Busbar; tin-plated; 1000 mm long; copper (10 x 3) mm

 I <sub>N</sub> 140 A	210-133	1
---	---------	---


Busbar cover; 1000 mm long

 transparent	777-303	1
--	---------	---



1-conductor N-disconnect terminal block; I<sub>N</sub> 76 A; 16 mm<sup>2</sup>; 12 mm wide

 blue	2016-7714	20
---	-----------	----


1-conductor N-disconnect terminal block; I<sub>N</sub> 125 A; 35 mm<sup>2</sup>; 16 mm wide

 blue	785-613	15
---	---------	----

2-conductor supply terminal block for distribution boxes; I<sub>N</sub> 76 A; 16 mm<sup>2</sup>; 12 mm wide


 gray	2016-7601	20
 blue	2016-7604	20

2-conductor through terminal block; I<sub>N</sub> 125 A; 35 mm<sup>2</sup>; 16 mm wide

 gray	785-601	15
 blue	785-604	15

Appropriate marking systems: WMB/Marking strips


2-conductor ground terminal block; 16 mm<sup>2</sup>; 12 mm wide

 green-yellow	2016-7607	20
---	-----------	----

2-conductor ground terminal block; 35 mm<sup>2</sup>; 16 mm wide

 green-yellow	785-607	15
--	---------	----


Connector; for busbar; with blue cover; 2.5 ... 16 mm<sup>2</sup>

 blue	210-281	100 (50)
--	---------	----------


Connector; for busbar; 2.5 ... 35 mm<sup>2</sup>

 uninsulated	209-105	50
---	---------	----


Lock-out; prevents reclosing of slide link; snap-on type

 orange	2005-7300	100 (25)
--	-----------	----------










Insulation stop; 5 pcs/strip; 0.25 ... 0.5 mm<sup>2</sup>

 light gray	2004-171	200 (25)
--	----------	----------







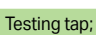

Insulation stop; 5 pcs/strip; 0.75 ... 1 mm<sup>2</sup>

 dark gray	2004-172	200 (25)
---	----------	----------


Push-in type jumper bar; insulated; I<sub>N</sub> 32 A; light gray

 2-way	2004-402	25
 3-way	2004-403	25
 4-way	2004-404	25
 5-way	2004-405	25
 6-way	2004-406	25
 7-way	2004-407	25
 8-way	2004-408	25
 9-way	2004-409	25
 10-way	2004-410	25


Push-in type jumper bar; insulated; I<sub>N</sub> 32 A; light gray

 1 to 3	2004-433	25
 1 to 4	2004-434	25
 1 to 5	2004-435	25
 1 to 6	2004-436	25
 1 to 7	2004-437	25
 1 to 8	2004-438	25
 1 to 9	2004-439	25
 1 to 10	2004-440	25


Testing tap; for max. 2.5 mm<sup>2</sup>

 gray	2009-182	100 (25)
--	----------	----------


Marking strip; plain; 11 mm wide; 50 m reel

 white	2009-110	1
---	----------	---

WMB marker card; white; 10 strips with 10 markers/card; stretchable 5 ... 5.2 mm

 plain	793-5501	5
---	----------	---


Operating tool; 3.5 mm and 2.5 mm blade; for TOPJOB® S Installation Terminal Blocks

	2009-309	50 (1)
---	----------	--------

Operating tool; 3.5 mm and 5.5 mm blade; for TOPJOB® S Installation Terminal Blocks

	2009-310	50 (1)
---	----------	--------

Operating tool; (3.5 x 0.5) mm blade; with a partially insulated shaft

	210-720	1
---	---------	---

① Conductor range: 0.5 ... 6 mm<sup>2</sup> "s+f-st"  
 Push-in termination: 1.5 ... 6 mm<sup>2</sup> "s" and 1.5 ... 4 mm<sup>2</sup> "insulated ferrules, 12 mm"  
 Depending on the conductor characteristic, a conductor with a smaller cross-section can also be inserted via push-in termination.

② 250 V / 400 V = rated voltage  
 4 kV / 6 kV = rated impulse voltage  
 3 = pollution degree  
 250 V/4 kV potential – ground  
 400 V/6 kV potential – potential

See application notes in our TOPJOB® S catalog:  
 Testing accessories, page 165  
 Marking accessories, from page 266

Approvals and corresponding ratings,  
 visit [www.wago.com](http://www.wago.com)

**Application note:**

N-disconnect slide links, used in installation terminal blocks, consist of switch contacts that are opened and then closed again as part of regular circuit testing. To guarantee a reliable connection, a corrosion-resistant contact area is required on the N-busbar.

Historically, uninsulated copper busbars that have been cleaned/stripped of any possible corrosion before install can be used in dry, pollution-free locations.

According to DIN VDE 0100-520 (VDE 0100, Part 520), installation equipment exposed to contamination or corrosive substances (e.g., water) that promote corrosion or deterioration must be protected or made of a corrosion- or wear-resistant material. In these cases, tinned copper busbars guarantee a reliable connection.

WAGO only offers tinned copper busbars.

# Miniature Rail-Mount Terminal Blocks TOPJOB® S; with/without Push-Buttons and with Push-in CAGE CLAMP® 2252 and 2052 Series Description and Installation



Insert ferruled conductors via push-in termination.



Insert fine-stranded conductors via operating tool.



Remove all conductors via operating tool.



Insert a jumper (star point jumper) and push down until it hits the backstop.



Insert a jumper (delta jumper) and push down until it hits the backstop.



Marking strip (2009-110) inserted in the marking slot with jumper symbols of the inserted jumper



Snapping a marking strip (2009-110) into a marker slot.



Snapping a WMB marking strip into a marker slot.



Push-in CAGE CLAMP® terminates the following copper conductors:  
solid "s"



stranded "st"



fine-stranded "f-st", also with tinned single strands

**PUSH-IN CAGE CLAMP®**



Insert ferruled conductors via push-in termination.



Insert fine-stranded conductors via operating tool.



Remove all conductors via operating tool.



Mounting a terminal strip with snap-in feet into holes.



Terminal strip; with snap-in mounting feet  
Snapping a mounting foot (209-120).  
(Distance between mounting feet: approx. 20 ... 25 mm)



Terminal strip; with snap-in mounting feet; for DIN-35 rail  
(209-120 Mounting Foot)



Mounting and securing a terminal strip directly to the plate via screw-type flanges.



Terminal strip; with mounting flanges; screw mounting



Testing with a 2 mm Ø 210-136 Test Plug (max. 42 V).



fine-stranded,  
tip-bonded



fine-stranded,  
with ferrule  
(gastight crimped)



fine-stranded,  
with pin terminal  
(gastight crimped)

**PUSH-IN CAGE CLAMP®**

# Miniature Through Terminal Block and Ground Conductor Terminal Block TOPJOB® S; with Push-Button; for DIN-15 Rail 2.5 (4) mm<sup>2</sup>; 2252 Series

**Technical Data**

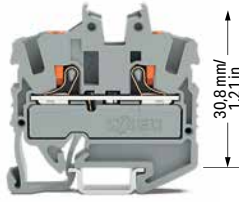
0.25 ... 2.5 (4) mm<sup>2</sup> ① | 22 ... 12 AWG

800 V/8 kV/3 ②

I<sub>N</sub> 24 A (32 A)

Terminal block width: 5.2 mm / 0.205 inch

10 ... 12 mm / 0.39 ... 0.47 inch



← 36,5 mm/1.44 in →

2-conductor miniature through terminal block; with push-button; for DIN-15 rail

Color	Item No.	Pack. Unit
gray	2252-1201	100
blue	2252-1204 ③	100

2-conductor miniature ground terminal block; with push-button; for DIN-15 rail

green-yellow	2252-1207	100
--------------	-----------	-----

**Accessories; 2252 Series**

Appropriate marking systems:  
WMB/WMB Inline/Marking strips

End and intermediate plate; 1.1 mm thick

gray	2052-1291	100 (25)
------	-----------	----------

Insulation stop; 5 pcs/strip; 0.25 ... 0.5 mm<sup>2</sup>

light gray	2002-171	200 (25)
------------	----------	----------

Insulation stop; 5 pcs/strip; 0.75 ... 1 mm<sup>2</sup>

dark gray	2002-172	200 (25)
-----------	----------	----------

Push-in type jumper bar; insulated; I<sub>N</sub> 25 A; light gray

2-way	2002-402	25
3-way	2002-403	25
4-way	2002-404	25
5-way	2002-405	25
6-way	2002-406	25
7-way	2002-407	25
8-way	2002-408	25
9-way	2002-409	25
10-way	2002-410	25

Push-in type jumper bar; insulated; I<sub>N</sub> 25 A; light gray

1 to 3	2002-433	25
1 to 4	2002-434	25
1 to 5	2002-435	25
1 to 6	2002-436	25
1 to 7	2002-437	25
1 to 8	2002-438	25
1 to 9	2002-439	25
1 to 10	2002-440	25

Delta jumper; insulated; I<sub>N</sub> = I<sub>N</sub> terminal block; light gray

1-2 3-4 5-6	2002-406/020-000	25
-------------	------------------	----

① Conductor range: 0.25 ... 4 mm<sup>2</sup> "s+f-st"  
Push-in termination: 1 ... 4 mm<sup>2</sup> "s" and 1 ... 2.5 mm<sup>2</sup> "insulated ferrules, 12 mm"  
Depending on the conductor characteristic, a conductor with a smaller cross-section can also be inserted via push-in termination.

② 800 V = rated voltage  
8 kV = rated impulse voltage  
3 = pollution degree

③ Terminal blocks with a blue insulated housing are suitable for Ex i applications.

See application notes in our TOPJOB® S catalog:  
Jumpers, from page 166  
Testing accessories, page 165  
Marking accessories, from page 266

Approvals and corresponding ratings, visit [www.wago.com](http://www.wago.com)

**Accessories; 2252 Series**

Appropriate marking systems:  
WMB/WMB Inline/Marking strips

Star point jumper; insulated; I<sub>N</sub> = I<sub>N</sub> terminal block; light gray

1-3-5	2002-405/011-000	25
-------	------------------	----

Staggered jumper; insulated; I<sub>N</sub> 25 A; light gray

2-way	2002-472	25
3-way	2002-473	25
4-way	2002-474	25
5-way	2002-475	25
6-way	2002-476	25
7-way	2002-477	25
8-way	2002-478	25
9-way	2002-479	25
10-way	2002-480	25
11-way	2002-481	25
12-way	2002-482	25

Customized staggered jumper; insulated; with contact lugs broken off at the factory and circuit printing; I<sub>N</sub> 25 A; light gray

1-3	2002-473/011-000	25
1-3-5	2002-475/011-000	25
1-3-5-7	2002-477/011-000	25
1-3-5-7-9	2002-479/011-000	25
1-3-5-7-9-11	2002-481/011-000	25

Adjacent jumper for continuous commoning; insulated; I<sub>N</sub> 25 A; light gray

2-way	2002-400	25
-------	----------	----

Adjacent jumper for continuous commoning; insulated; I<sub>N</sub> 25 A; 1 to 3

light gray	2002-423	25
red	2002-423/000-005	25
blue	2002-423/000-006	25

Push-in type wire jumper; insulated; 1.5 mm<sup>2</sup> conductor cross-section; I<sub>N</sub> 18 A

L = 60 mm	2009-412	100 (10)
L = 110 mm	2009-414	100 (10)
L = 250 mm	2009-416	100 (10)

L-type test plug module; snaps together

gray	2002-611	100 (25)
------	----------	----------

L-type spacer module; snaps together; bridges commoned terminal blocks,

gray	2002-649	100 (25)
------	----------	----------

**Accessories; 2252 Series**

Appropriate marking systems:  
WMB/WMB Inline/Marking strips

Test plug; with 500 mm cable; 2 mm Ø; max. 42 V

red	210-136	50
-----	---------	----

Test plug adapter; for 4 mm Ø test plug

gray	2009-174	100 (25)
------	----------	----------

Testing tap; for max. 2.5 mm<sup>2</sup>

gray	2009-182	100 (25)
------	----------	----------

Marking strip; plain; 11 mm wide; 50 m reel

white	2009-110	1
-------	----------	---

WMB Inline; plain; 1,500 WMB markers (5 mm)/reel; stretchable 5 ... 5.2 mm

white	2009-115	1
-------	----------	---

WMB marker card; white; 10 strips with 10 markers/card; stretchable 5 ... 5.2 mm

plain	793-5501	5
-------	----------	---

Screwless end stop; for DIN-15 rail; 6 mm wide

gray	249-101	25
------	---------	----

Steel DIN-rail; per EN 60715; 15 x 5.5 mm; 1 mm thick; 2 m long

slotted	210-111	10 (1)
unslotted	210-295	10 (1)

Aluminum DIN-rail; similar to EN 60715; 15 x 5.5 mm; 1 mm thick; 2 m long

unslotted	210-296	1
-----------	---------	---



# Miniature Through Terminal Block and Ground Conductor Terminal Block TOPJOB® S; for DIN-15 Rail

## 2.5 (4) mm<sup>2</sup>; 2052 Series

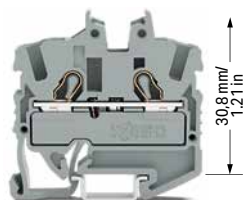
### Technical Data

0.25 ... 2.5 (4) mm<sup>2</sup> ① | 22 ... 12 AWG

800 V/8 kV/3 ②

I<sub>N</sub> 24 A (32 A)

Terminal block width: 5.2 mm / 0.205 inch


 10 ... 12 mm / 0.39 ... 0.47 inch


 36.5 mm / 1.44 in

2-conductor miniature through terminal block; for DIN-15 rail

Color	Item No.	Pack. Unit
gray	2052-1201	100
blue	2052-1204 ③	100

2-conductor miniature ground terminal block; for DIN-15 rail

green-yellow	2052-1207	100
--------------	-----------	-----

### Accessories; 2052 Series

Appropriate marking systems:  
WMB/WMB Inline/Marking strips

End and intermediate plate; 1.1 mm thick

gray	2052-1291	100 (25)
------	-----------	----------

Insulation stop; 5 pcs/strip; 0.25 ... 0.5 mm<sup>2</sup>

light gray	2002-171	200 (25)
------------	----------	----------

Insulation stop; 5 pcs/strip; 0.75 ... 1 mm<sup>2</sup>

dark gray	2002-172	200 (25)
-----------	----------	----------

Protective warning marker; with black high-voltage symbol; for 5 terminal blocks

yellow	2002-115	100 (25)
--------	----------	----------

Push-in type jumper bar; insulated; I<sub>N</sub> 25 A; light gray

2-way	2002-402	25
3-way	2002-403	25
4-way	2002-404	25
5-way	2002-405	25
6-way	2002-406	25
7-way	2002-407	25
8-way	2002-408	25
9-way	2002-409	25
10-way	2002-410	25

Push-in type jumper bar; insulated; I<sub>N</sub> 25 A; light gray

1 to 3	2002-433	25
1 to 4	2002-434	25
1 to 5	2002-435	25
1 to 6	2002-436	25
1 to 7	2002-437	25
1 to 8	2002-438	25
1 to 9	2002-439	25
1 to 10	2002-440	25

① Conductor range: 0.25 ... 4 mm<sup>2</sup> "s+f-st"  
Push-in termination: 1 ... 4 mm<sup>2</sup> "s" and 1 ... 2.5 mm<sup>2</sup> "insulated ferrules, 12 mm"  
Depending on the conductor characteristic, a conductor with a smaller cross-section can also be inserted via push-in termination.

② 800 V = rated voltage  
8 kV = rated impulse voltage  
3 = pollution degree

③ Terminal blocks with a blue insulated housing are suitable for Ex i applications.

See application notes in our TOPJOB® S catalog:  
Jumpers, from page 166  
Testing accessories, page 165  
Marking accessories, from page 266Approvals and corresponding ratings,  
visit [www.wago.com](http://www.wago.com)

### Accessories; 2052 Series

Appropriate marking systems:  
WMB/WMB Inline/Marking stripsDelta jumper; insulated; I<sub>N</sub> = I<sub>N</sub> terminal block; light gray

1-2 3-4 5-6	2002-406/020-000	25
-------------	------------------	----

Star point jumper; insulated; I<sub>N</sub> = I<sub>N</sub> terminal block; light gray

1-3-5	2002-405/011-000	25
-------	------------------	----

Staggered jumper; insulated; I<sub>N</sub> 25 A; light gray

2-way	2002-472	25
3-way	2002-473	25
4-way	2002-474	25
5-way	2002-475	25
6-way	2002-476	25
7-way	2002-477	25
8-way	2002-478	25
9-way	2002-479	25
10-way	2002-480	25
11-way	2002-481	25
12-way	2002-482	25

Customized staggered jumper; insulated; with contact lugs broken off at the factory and circuit printing; I<sub>N</sub> 25 A; light gray

1-3	2002-473/011-000	25
1-3-5	2002-475/011-000	25
1-3-5-7	2002-477/011-000	25
1-3-5-7-9	2002-479/011-000	25
1-3-5-7-9-11	2002-481/011-000	25

Adjacent jumper for continuous commoning; insulated; I<sub>N</sub> 25 A; light gray

2-way	2002-400	25
-------	----------	----

Adjacent jumper for continuous commoning; insulated; I<sub>N</sub> 25 A; 1 to 3

light gray	2002-423	25
red	2002-423/000-005	25
blue	2002-423/000-006	25

Push-in type wire jumper; insulated; 1.5 mm<sup>2</sup> conductor cross-section; I<sub>N</sub> 18 A

L = 60 mm	2009-412	100 (10)
L = 110 mm	2009-414	100 (10)
L = 250 mm	2009-416	100 (10)

### Accessories; 2052 Series

Appropriate marking systems:  
WMB/WMB Inline/Marking strips

L-type test plug module; snaps together

gray	2002-611	100 (25)
------	----------	----------

L-type spacer module; snaps together; bridges commoned terminal blocks,

gray	2002-649	100 (25)
------	----------	----------

Test plug; with 500 mm cable; 2 mm Ø; max. 42 V

red	210-136	50
-----	---------	----

Test plug adapter; for 4 mm Ø test plug

gray	2009-174	100 (25)
------	----------	----------

Testing tap; for max. 2.5 mm<sup>2</sup>

gray	2009-182	100 (25)
------	----------	----------

Marking strip; plain; 11 mm wide; 50 m reel

white	2009-110	1
-------	----------	---

WMB Inline; plain; 1,500 WMB markers (5 mm)/reel; stretchable 5 ... 5.2 mm

white	2009-115	1
-------	----------	---

WMB marker card; white; 10 strips with 10 markers/card; stretchable 5 ... 5.2 mm

plain	793-5501	5
-------	----------	---

Screwless end stop; for DIN-15 rail; 6 mm wide

gray	249-101	25
------	---------	----

Steel DIN-rail; per EN 60715; 15 x 5.5 mm; 1 mm thick; 2 m long

slotted	210-111	10 (1)
unslotted	210-295	10 (1)

Aluminum DIN-rail; similar to EN 60715; 15 x 5.5 mm; 1 mm thick; 2 m long

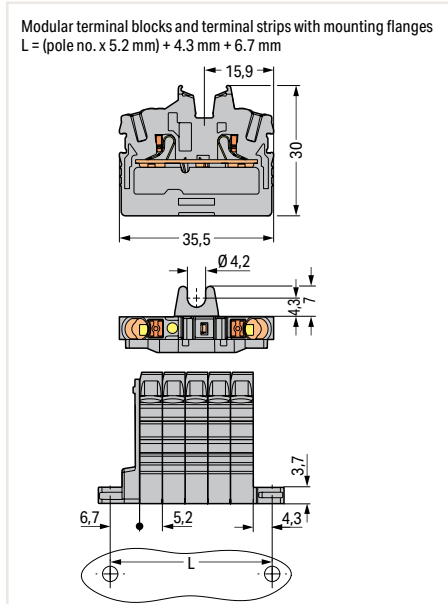
unslotted	210-296	1
-----------	---------	---

# Miniature Through Terminal Block TOPJOB® S; with Push-Button; with Mounting Flange 2.5 (4) mm<sup>2</sup>; 2252 Series

Technical Data	
0.25 ... 2.5 (4) mm <sup>2</sup> ①	22 ... 12 AWG
800 V/8 kV/3 ②	
I <sub>N</sub> 24 A (32 A)	
Terminal block width: 5.2 mm / 0.205 inch	
10 ... 12 mm / 0.39 ... 0.47 inch	



Dimensions in mm



2-conductor miniature through terminal block; with push-button; end terminal block with mounting flange; for screw or similar mounting types; 4.2 mm mounting hole diameter; with mounting foot (209-123) also for DIN-35 rail

Color	Item No.	Pack. Unit
gray	2252-301	100
blue	2252-304 ③	100
green-yellow	2252-307	100

2-conductor miniature through terminal block; with push-button; Center terminal block; without snap-in mounting foot; without mounting flange; for 0.6 ... 1.2 mm plate thickness; required between end plate and end terminal block for terminal strips with mounting flanges

Color	Item No.	Pack. Unit
gray	2252-321	100
blue	2252-324 ③	100
green-yellow	2252-327	100

**Accessories; 2252 Series**

Appropriate marking systems:  
WMB/WMB Inline/Marking strips

End plate; with mounting flange; 1.3 mm thick		
gray	2052-381	100 (25)



- Conductor range: 0.25 ... 4 mm<sup>2</sup> "s+f-st"  
Push-in termination: 1 ... 4 mm<sup>2</sup> "s" and 1 ... 2.5 mm<sup>2</sup> "insulated ferrules, 12 mm"  
Depending on the conductor characteristic, a conductor with a smaller cross-section can also be inserted via push-in termination.
  - 800 V = rated voltage  
8 kV = rated impulse voltage  
3 = pollution degree
  - Terminal blocks with a blue insulated housing are suitable for Ex i applications.
- See application notes in our TOPJOB® S catalog:  
Jumpers, from page 166  
Testing accessories, page 165  
Marking accessories, from page 266
- Approvals and corresponding ratings, visit [www.wago.com](http://www.wago.com)

**Accessories; 2252 Series**

Appropriate marking systems:  
WMB/WMB Inline/Marking strips

Insulation stop; 5 pcs/strip; 0.25 ... 0.5 mm <sup>2</sup>		
light gray	2002-171	200 (25)



Insulation stop; 5 pcs/strip; 0.75 ... 1 mm <sup>2</sup>		
dark gray	2002-172	200 (25)



Push-in type jumper bar; insulated; I <sub>N</sub> 25 A; light gray		
2-way	2002-402	25
3-way	2002-403	25
4-way	2002-404	25
5-way	2002-405	25
6-way	2002-406	25
7-way	2002-407	25
8-way	2002-408	25
9-way	2002-409	25
10-way	2002-410	25



Push-in type jumper bar; insulated; I <sub>N</sub> 25 A; light gray		
1 to 3	2002-433	25
1 to 4	2002-434	25
1 to 5	2002-435	25
1 to 6	2002-436	25
1 to 7	2002-437	25
1 to 8	2002-438	25
1 to 9	2002-439	25
1 to 10	2002-440	25



Delta jumper; insulated; I <sub>N</sub> = I <sub>N</sub> terminal block; light gray		
1-2 3-4 5-6	2002-406/020-000	25



Star point jumper; insulated; I <sub>N</sub> = I <sub>N</sub> terminal block; light gray		
1-3-5	2002-405/011-000	25



Adjacent jumper for continuous commoning; insulated; I <sub>N</sub> 25 A; light gray		
2-way	2002-400	25



Adjacent jumper for continuous commoning; insulated; I <sub>N</sub> 25 A; 1 to 3		
light gray	2002-423	25
red	2002-423/000-005	25
blue	2002-423/000-006	25



**Accessories; 2252 Series**

Appropriate marking systems:  
WMB/WMB Inline/Marking strips

Staggered jumper; insulated; I <sub>N</sub> 25 A; light gray		
2-way	2002-472	25
3-way	2002-473	25
4-way	2002-474	25
5-way	2002-475	25
6-way	2002-476	25
7-way	2002-477	25
8-way	2002-478	25
9-way	2002-479	25
10-way	2002-480	25
11-way	2002-481	25
12-way	2002-482	25



Customized staggered jumper; insulated; with contact lugs broken off at the factory and circuit printing; I<sub>N</sub> 25 A; light gray

1-3	2002-473/011-000	25
1-3-5	2002-475/011-000	25
1-3-5-7	2002-477/011-000	25
1-3-5-7-9	2002-479/011-000	25
1-3-5-7-9-11	2002-481/011-000	25

Push-in type wire jumper; insulated; 1.5 mm<sup>2</sup> conductor cross-section; I<sub>N</sub> 18 A

L = 60 mm	2009-412	100 (10)
L = 110 mm	2009-414	100 (10)
L = 250 mm	2009-416	100 (10)

L-type test plug module; snaps together

gray	2002-611	100 (25)
------	----------	----------

Marking strip; plain; 11 mm wide; 50 m reel

white	2009-110	1
-------	----------	---

WMB Inline; plain; 1,500 WMB markers (5 mm)/reel; stretchable 5 ... 5.2 mm

white	2009-115	1
-------	----------	---

WMB marker card; white; 10 strips with 10 markers/card; stretchable 5 ... 5.2 mm

plain	793-5501	5
-------	----------	---

Mounting foot with screw; for DIN-35 rail; can be screwed on terminal blocks with mounting flange; 6.4 mm wide

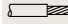
gray	209-123	25
------	---------	----

Mounting adapter; for DIN-35 rail; can be used as an end stop; 6.5 mm wide

gray	209-137	25
------	---------	----

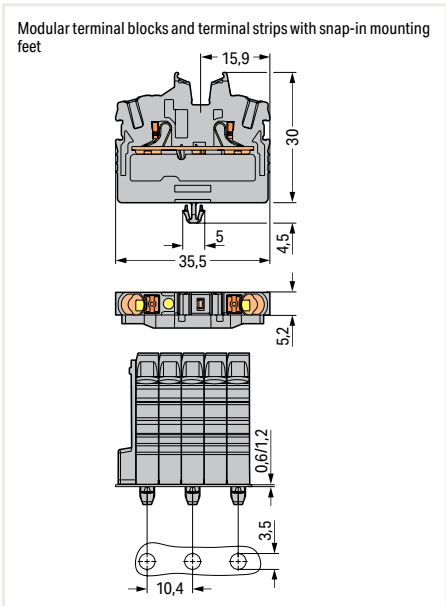
# Miniature Through Terminal Block TOPJOB® S; with Push-Button; with Snap-In Mounting Foot 2.5 (4) mm<sup>2</sup>; 2252 Series

**Technical Data**

0.25 ... 2.5 (4) mm <sup>2</sup> ①	22 ... 12 AWG
800 V/8 kV/3 ②	
I <sub>N</sub> 24 A (32 A)	
Terminal block width: 5.2 mm / 0.205 inch	
 10 ... 12 mm / 0.39 ... 0.47 inch	



Dimensions in mm



2-conductor miniature through terminal block; with push-button on one side; with snap-in mounting foot; for 0.6 ... 1.2 mm plate thickness; 3.5 mm mounting hole diameter; also for aluminum DIN-rail (210-154) or with mounting foot (209-120) for DIN-35 rail

Color	Item No.	Pack. Unit
gray	2252-311	100
blue	2252-314 ③	100
green-yellow	2252-317	100

2-conductor miniature through terminal block; with push-button; Center terminal block; without snap-in mounting foot; without mounting flange; for 0.6 ... 1.2 mm plate thickness; required between end plate and end terminal block for terminal strips with mounting flanges

Color	Item No.	Pack. Unit
gray	2252-321	100
blue	2252-324 ③	100
green-yellow	2252-327	100

**Accessories; 2252 Series**

Appropriate marking systems:  
WMB/WMB Inline/Marking strips

End plate; for terminal blocks with snap-in mounting foot; 3.4 mm thick

Color	Item No.	Pack. Unit
gray	2052-391	100 (25)



① Conductor range: 0.25 ... 4 mm<sup>2</sup> "s+f-st"  
Push-in termination: 1 ... 4 mm<sup>2</sup> "s" and 1 ... 2.5 mm<sup>2</sup> "insulated ferrules, 12 mm"  
Depending on the conductor characteristic, a conductor with a smaller cross-section can also be inserted via push-in termination.

② 800 V = rated voltage  
8 kV = rated impulse voltage  
3 = pollution degree

③ Terminal blocks with a blue insulated housing are suitable for Ex i applications.

See application notes in our TOPJOB® S catalog:  
Jumpers, from page 166  
Testing accessories, page 165  
Marking accessories, from page 266

Approvals and corresponding ratings, visit [www.wago.com](http://www.wago.com)

**Accessories; 2252 Series**

Appropriate marking systems:  
WMB/WMB Inline/Marking strips

Insulation stop; 5 pcs/strip; 0.25 ... 0.5 mm<sup>2</sup>

Color	Item No.	Pack. Unit
light gray	2002-171	200 (25)

Insulation stop; 5 pcs/strip; 0.75 ... 1 mm<sup>2</sup>

Color	Item No.	Pack. Unit
dark gray	2002-172	200 (25)

Push-in type jumper bar; insulated; I<sub>N</sub> 25 A; light gray

Way	Item No.	Pack. Unit
2-way	2002-402	25
3-way	2002-403	25
4-way	2002-404	25
5-way	2002-405	25
6-way	2002-406	25
7-way	2002-407	25
8-way	2002-408	25
9-way	2002-409	25
10-way	2002-410	25

Push-in type jumper bar; insulated; I<sub>N</sub> 25 A; light gray

Configuration	Item No.	Pack. Unit
1 to 3	2002-433	25
1 to 4	2002-434	25
1 to 5	2002-435	25
1 to 6	2002-436	25
1 to 7	2002-437	25
1 to 8	2002-438	25
1 to 9	2002-439	25
1 to 10	2002-440	25

Delta jumper; insulated; I<sub>N</sub> = I<sub>N</sub> terminal block; light gray

Configuration	Item No.	Pack. Unit
1-2 3-4 5-6	2002-406/020-000	25

Star point jumper; insulated; I<sub>N</sub> = I<sub>N</sub> terminal block; light gray

Configuration	Item No.	Pack. Unit
1-3-5	2002-405/011-000	25

Adjacent jumper for continuous commoning; insulated; I<sub>N</sub> 25 A; light gray

Way	Item No.	Pack. Unit
2-way	2002-400	25

Adjacent jumper for continuous commoning; insulated; I<sub>N</sub> 25 A; 1 to 3

Color	Item No.	Pack. Unit
light gray	2002-423	25
red	2002-423/000-005	25
blue	2002-423/000-006	25

**Accessories; 2252 Series**

Appropriate marking systems:  
WMB/WMB Inline/Marking strips

Staggered jumper; insulated; I<sub>N</sub> 25 A; light gray

Way	Item No.	Pack. Unit
2-way	2002-472	25
3-way	2002-473	25
4-way	2002-474	25
5-way	2002-475	25
6-way	2002-476	25
7-way	2002-477	25
8-way	2002-478	25
9-way	2002-479	25
10-way	2002-480	25
11-way	2002-481	25
12-way	2002-482	25

Push-in type wire jumper; insulated; 1.5 mm<sup>2</sup> conductor cross-section; I<sub>N</sub> 18 A

Length (L)	Item No.	Pack. Unit
L = 60 mm	2009-412	100 (10)
L = 110 mm	2009-414	100 (10)
L = 250 mm	2009-416	100 (10)

L-type test plug module; snaps together

Color	Item No.	Pack. Unit
gray	2002-611	100 (25)

Marking strip; plain; 11 mm wide; 50 m reel

Color	Item No.	Pack. Unit
white	2009-110	1

WMB Inline; plain; 1,500 WMB markers (5 mm)/reel; stretchable 5 ... 5.2 mm

Color	Item No.	Pack. Unit
white	2009-115	1

WMB marker card; white; 10 strips with 10 markers/card; stretchable 5 ... 5.2 mm

Color	Item No.	Pack. Unit
plain	793-5501	5

Aluminum DIN-rail; 1000 mm long; 18 mm wide; 7 mm high

Item No.	Pack. Unit
210-154	1

Plastic end stop; with WSB marker slot; for aluminum DIN-rail (210-154); 6 mm wide

Item No.	Pack. Unit
209-122	25

Mounting foot; for DIN-35 rail; snaps onto terminal blocks with snap-in mounting foot; 6.4 mm wide

Color	Item No.	Pack. Unit
gray	209-120	25

Mounting screw; for mounting foot (209-120)

Item No.	Pack. Unit
209-119	500 (50)

Mounting adapter; for DIN-35 rail; can be used as an end stop; 6.5 mm wide

Color	Item No.	Pack. Unit
gray	209-137	25

# Miniature Through Terminal Block TOPJOB® S; with Mounting Flange 2.5 (4) mm<sup>2</sup>; 2052 Series

**Technical Data**

0.25 ... 2.5 (4) mm<sup>2</sup> ① | 22 ... 12 AWG

800 V/8 kV/3 ②

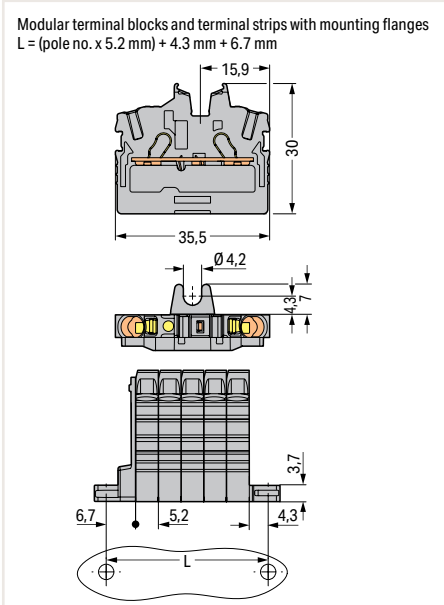
I<sub>N</sub> 24 A (32 A)

Terminal block width: 5.2 mm / 0.205 inch

10 ... 12 mm / 0.39 ... 0.47 inch



Dimensions in mm



2-conductor miniature through terminal block; with mounting flange; for screw or similar mounting types; 4.2 mm mounting hole diameter; with mounting foot (209-123) also for DIN-35 rail

Color	Item No.	Pack. Unit
gray	2052-301	100
blue	2052-304 ③	100
green-yellow	2052-307	100

2-conductor miniature through terminal block; Center terminal block; without snap-in mounting foot; without mounting flange; for 0.6 ... 1.2 mm plate thickness; required between end plate and end terminal block for terminal strips with mounting flanges

gray	2052-321	100
blue	2052-324 ③	100
green-yellow	2052-327	100

**Accessories; 2052 Series**

Appropriate marking systems:  
WMB/WMB Inline/Marking strips

End plate; with mounting flange; 1.3 mm thick

gray	2052-381	100(25)
------	----------	---------

① Conductor range: 0.25 ... 4 mm<sup>2</sup> "s+f-st"  
Push-in termination: 1 ... 4 mm<sup>2</sup> "s" and 1 ... 2.5 mm<sup>2</sup> "insulated ferrules, 12 mm"  
Depending on the conductor characteristic, a conductor with a smaller cross-section can also be inserted via push-in termination.

② 800 V = rated voltage  
8 kV = rated impulse voltage  
3 = pollution degree

③ Terminal blocks with a blue insulated housing are suitable for Ex i applications.

See application notes in our TOPJOB® S catalog:  
Jumpers, from page 166  
Testing accessories, page 165  
Marking accessories, from page 266

Approvals and corresponding ratings, visit [www.wago.com](http://www.wago.com)

**Accessories; 2252 Series**

Appropriate marking systems:  
WMB/WMB Inline/Marking strips

Protective warning marker; with black high-voltage symbol; for 5 terminal blocks

yellow	2002-115	100 (25)
--------	----------	----------

Insulation stop; 5 pcs/strip; 0.25 ... 0.5 mm<sup>2</sup>

light gray	2002-171	200 (25)
------------	----------	----------

Insulation stop; 5 pcs/strip; 0.75 ... 1 mm<sup>2</sup>

dark gray	2002-172	200 (25)
-----------	----------	----------

Push-in type jumper bar; insulated; I<sub>N</sub> 25 A; light gray

2-way	2002-402	25
3-way	2002-403	25
4-way	2002-404	25
5-way	2002-405	25
6-way	2002-406	25
7-way	2002-407	25
8-way	2002-408	25
9-way	2002-409	25
10-way	2002-410	25

Push-in type jumper bar; insulated; I<sub>N</sub> 25 A; light gray

1 to 3	2002-433	25
1 to 4	2002-434	25
1 to 5	2002-435	25
1 to 6	2002-436	25
1 to 7	2002-437	25
1 to 8	2002-438	25
1 to 9	2002-439	25
1 to 10	2002-440	25

Delta jumper; insulated; I<sub>N</sub> = I<sub>N</sub> terminal block; light gray

1-2 3-4 5-6	2002-406/020-000	25
-------------	------------------	----

Star point jumper; insulated; I<sub>N</sub> = I<sub>N</sub> terminal block; light gray

1-3-5	2002-405/011-000	25
-------	------------------	----

Adjacent jumper for continuous commoning; insulated; I<sub>N</sub> 25 A; light gray

2-way	2002-400	25
-------	----------	----

**Accessories; 2252 Series**

Appropriate marking systems:  
WMB/WMB Inline/Marking strips

Adjacent jumper for continuous commoning; insulated; I<sub>N</sub> 25 A; 1 to 3

light gray	2002-423	25
red	2002-423/000-005	25
blue	2002-423/000-006	25

Staggered jumper; insulated; I<sub>N</sub> 25 A; light gray

2-way	2002-472	25
3-way	2002-473	25
4-way	2002-474	25
5-way	2002-475	25
6-way	2002-476	25
7-way	2002-477	25
8-way	2002-478	25
9-way	2002-479	25
10-way	2002-480	25
11-way	2002-481	25
12-way	2002-482	25

Customized staggered jumper; insulated; with contact lugs broken off at the factory and circuit printing; I<sub>N</sub> 25 A; light gray

1-3	2002-473/011-000	25
1-3-5	2002-475/011-000	25
1-3-5-7	2002-477/011-000	25
1-3-5-7-9	2002-479/011-000	25
1-3-5-7-9-11	2002-481/011-000	25

Push-in type wire jumper; insulated; 1.5 mm<sup>2</sup> conductor cross-section; I<sub>N</sub> 18 A

L = 60 mm	2009-412	100 (10)
L = 110 mm	2009-414	100 (10)
L = 250 mm	2009-416	100 (10)

L-type test plug module; snaps together

gray	2002-611	100 (25)
------	----------	----------

Marking strip; plain; 11 mm wide; 50 m reel

white	2009-110	1
-------	----------	---

WMB Inline; plain; 1,500 WMB markers (5 mm)/reel; stretchable 5 ... 5.2 mm

white	2009-115	1
-------	----------	---

WMB marker card; white; 10 strips with 10 markers/card; stretchable 5 ... 5.2 mm

plain	793-5501	5
-------	----------	---

Mounting foot with screw; for DIN-35 rail; can be screwed on terminal blocks with mounting flange; 6.4 mm wide

gray	209-123	25
------	---------	----

Mounting adapter; for DIN-35 rail; can be used as an end stop; 6.5 mm wide

gray	209-137	25
------	---------	----

## Miniature Through Terminal Block TOPJOB® S; with Snap-In Mounting Foot

### 2.5 (4) mm<sup>2</sup>; 2052 Series

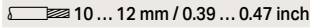
#### Technical Data

0.25 ... 2.5 (4) mm<sup>2</sup> ① | 22 ... 12 AWG

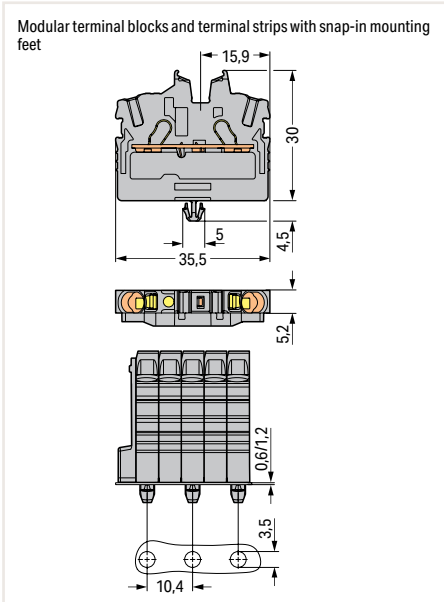
800 V/8 kV/3 ②

I<sub>N</sub> 24 A (32 A)

Terminal block width: 5.2 mm / 0.205 inch


 10 ... 12 mm / 0.39 ... 0.47 inch


Dimensions in mm



2-conductor miniature through terminal block; with snap-in mounting foot; for 0.6 ... 1.2 mm plate thickness; 3.5 mm mounting hole diameter; also for aluminum DIN-rail (210-154) or with mounting foot (209-120) for DIN-35 rail

Color	Item No.	Pack. Unit
gray	2052-311	100
blue	2052-314 ③	100
green-yellow	2052-317	100

2-conductor miniature through terminal block; Center terminal block; without snap-in mounting foot; without mounting flange; for 0.6 ... 1.2 mm plate thickness; required between end plate and end terminal block for terminal strips with mounting flanges

Color	Item No.	Pack. Unit
gray	2052-321	100
blue	2052-324 ③	100
green-yellow	2052-327	100

#### Accessories; 2052 Series

Appropriate marking systems:  
WMB/WMB Inline/Marking strips

End plate; for terminal blocks with snap-in mounting foot; 3.4 mm thick

gray	2052-391	100 (25)
------	----------	----------



① Conductor range: 0.25 ... 4 mm<sup>2</sup> "s+f-st"  
Push-in termination: 1 ... 4 mm<sup>2</sup> "s" and 1 ... 2.5 mm<sup>2</sup> "insulated ferrules, 12 mm"  
Depending on the conductor characteristic, a conductor with a smaller cross-section can also be inserted via push-in termination.

② 800 V = rated voltage  
8 kV = rated impulse voltage  
3 = pollution degree

③ Terminal blocks with a blue insulated housing are suitable for Ex i applications.

See application notes in our TOPJOB® S catalog:  
Jumpers, from page 166  
Testing accessories, page 165  
Marking accessories, from page 266

Approvals and corresponding ratings, visit [www.wago.com](http://www.wago.com)

#### Accessories; 2252 Series

Appropriate marking systems:  
WMB/WMB Inline/Marking strips

Insulation stop; 5 pcs/strip; 0.25 ... 0.5 mm<sup>2</sup>

light gray	2002-171	200 (25)
------------	----------	----------



Insulation stop; 5 pcs/strip; 0.75 ... 1 mm<sup>2</sup>

dark gray	2002-172	200 (25)
-----------	----------	----------



Protective warning marker; with black high-voltage symbol; for 5 terminal blocks

yellow	2002-115	100 (25)
--------	----------	----------



Push-in type jumper bar; insulated; I<sub>N</sub> 25 A; light gray

2-way	2002-402	25
3-way	2002-403	25
4-way	2002-404	25
5-way	2002-405	25
6-way	2002-406	25
7-way	2002-407	25
8-way	2002-408	25
9-way	2002-409	25
10-way	2002-410	25



Push-in type jumper bar; insulated; I<sub>N</sub> 25 A; light gray

1 to 3	2002-433	25
1 to 4	2002-434	25
1 to 5	2002-435	25
1 to 6	2002-436	25
1 to 7	2002-437	25
1 to 8	2002-438	25
1 to 9	2002-439	25
1 to 10	2002-440	25



Delta jumper; insulated; I<sub>N</sub> = I<sub>N</sub> terminal block; light gray

1-2 3-4 5-6	2002-406/020-000	25
-------------	------------------	----



Star point jumper; insulated; I<sub>N</sub> = I<sub>N</sub> terminal block; light gray

1-3-5	2002-405/011-000	25
-------	------------------	----



Adjacent jumper for continuous commoning; insulated; I<sub>N</sub> 25 A; light gray

2-way	2002-400	25
-------	----------	----



#### Accessories; 2252 Series

Appropriate marking systems:  
WMB/WMB Inline/Marking strips

Adjacent jumper for continuous commoning; insulated; I<sub>N</sub> 25 A; 1 to 3



light gray	2002-423	25
red	2002-423/000-005	25
blue	2002-423/000-006	25

Staggered jumper; insulated; I<sub>N</sub> 25 A; light gray



2-way	2002-472	25
3-way	2002-473	25
4-way	2002-474	25
5-way	2002-475	25
6-way	2002-476	25
7-way	2002-477	25
8-way	2002-478	25
9-way	2002-479	25
10-way	2002-480	25
11-way	2002-481	25
12-way	2002-482	25

Push-in type wire jumper; insulated; 1.5 mm<sup>2</sup> conductor cross-section; I<sub>N</sub> 18 A



L = 60 mm	2009-412	100 (10)
L = 110 mm	2009-414	100 (10)
L = 250 mm	2009-416	100 (10)

L-type test plug module; snaps together



gray	2002-611	100 (25)
------	----------	----------

Marking strip; plain; 11 mm wide; 50 m reel



white	2009-110	1
-------	----------	---

WMB Inline; plain; 1,500 WMB markers (5 mm)/reel; stretchable 5 ... 5.2 mm



white	2009-115	1
-------	----------	---

WMB marker card; white; 10 strips with 10 markers/card; stretchable 5 ... 5.2 mm



plain	793-5501	5
-------	----------	---

Aluminum DIN-rail; 1000 mm long; 18 mm wide; 7 mm high



210-154	1
---------	---

Plastic end stop; with WSB marker slot; for aluminum DIN-rail (210-154); 6 mm wide



209-122	25
---------	----

Mounting foot; for DIN-35 rail; snaps onto terminal blocks with snap-in mounting foot; 6.4 mm wide



gray	209-120	25
------	---------	----

Mounting screw; for mounting foot (209-120)

209-119	500 (50)
---------	----------

Mounting adapter; for DIN-35 rail; can be used as an end stop; 6.5 mm wide



gray	209-137	25
------	---------	----

## Fused Disconnect Terminal Block for 10/14 x 85 mm Cylindrical Fuses 16 mm<sup>2</sup>; 811 Series

### Technical Data

2.5 ... 16 mm<sup>2</sup> | 14 ... 6 AWG

1500 VDC, 32 A

Terminal block width: 22.3 mm / 0.878 inch

12 ... 13 mm / 0.47 ... 0.51 inch

Cylindrical fuses are not offered by WAGO. Temperature range: -35 ... +85 °C  
Electrical ratings are given by the fuse and blown fuse indication.

Approvals and corresponding ratings, visit [www.wago.com](http://www.wago.com)



Opening and closing lever via operating tool.

2-conductor fused disconnect terminal block; with a pivoting fuse holder; with test point; for 10/14 x 85 mm cylindrical fuses; for photovoltaic applications; for DIN-35 rail; light gray

Pole No.	Item No.	Pack. Unit
○ 1-pole	811-1316	12



Removing a terminal block from the DIN-rail.



Inserting a fuse.



**CAGE CLAMP® connection**  
Inserting a conductor.  
Opening the clamping unit via integrated lever.



Terminating ferruled conductors up to 10 mm<sup>2</sup> (8 AWG).



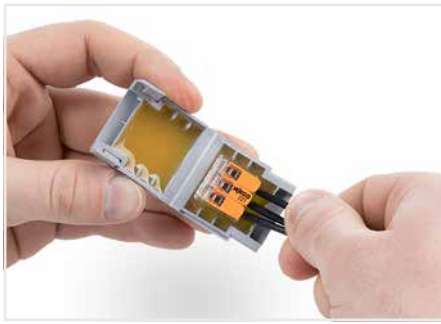
# Gelboxes; for Splicing Connectors

## 207 Series

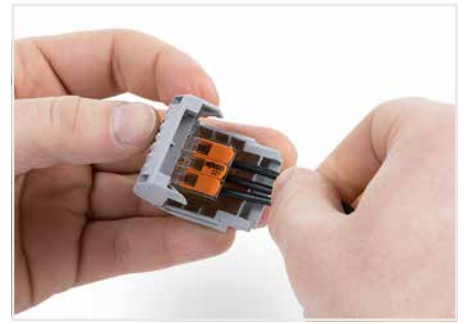
### Installation



Open the Gelbox at the side latches.



Place the wired connector in the Gelbox.



Close the Gelbox.



Close latch securely and press down in the center.



Re-accessible:  
Open the Gelbox, remove the gel, open the connector and rewire with new components.



For low voltage applications > 50 V, use the Gelbox in a junction box.



Connecting a bollard light



Opened Gelbox with connector



## Gelbox; for Splicing Connectors 207 Series

### Technical Data

Housing material: Polypropylene

Gel material: Polyurethane

Voltage range: see connector voltage

Rated current: see connector current

Rated surge voltage: 2.5 kV

Insulation resistance: 5 MΩ

Surrounding air temperature (operation): -55 ... 85 °C

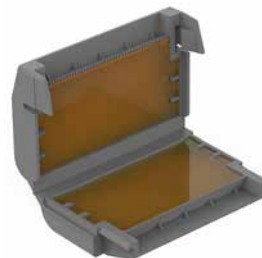
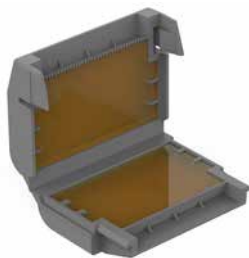
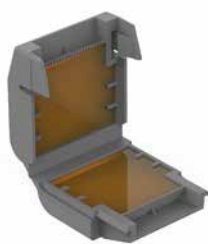
Surrounding air temperature (storage): 0 ... 40 °C

Physical properties: IPX8

Suitable for indefinite storage because the gel is free of hazardous substance according to CLP

Disposal: Household waste (residual waste)

Skin contact: After skin contact, clean with water; no special cleaning agent required



Gelbox; for conductors; branch; with gel; 221 Series, max. 6 mm<sup>2</sup> connectors; without splicing connectors; size 1

Color	Item No.	Pack. Unit
○ gray	207-1431	48 (4)







Gelbox; for conductors; branch; with gel; 221 Series, max. 6 mm<sup>2</sup> connectors; without splicing connectors; size 2

Color	Item No.	Pack. Unit
○ gray	207-1432	36 (3)

Gelbox; for conductors; branch; with gel; 221 Series, max. 6 mm<sup>2</sup> connectors; without splicing connectors; size 3

Color	Item No.	Pack. Unit
○ gray	207-1433	24 (2)

### Permitted Combinations of Connectors and Gelbox:

Item No.	221-412	221-413	221-415	221-612	221-613	221-615	2273-202	2273-203	2273-204	2273-208
207-1431				1 x 	1 x 	-				
207-1432				2 x 	-	1 x 				
207-1433				3 x 	2 x 	-				

Note: With other combinations, the high degree of protection cannot be guaranteed because the gel displacement is too limited or the Gel Boxes can no longer be closed.

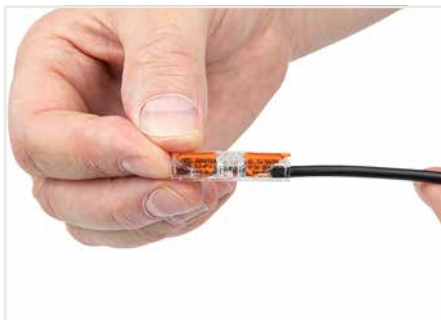
# Inline Splicing Connectors

## 221 Series

### Installation



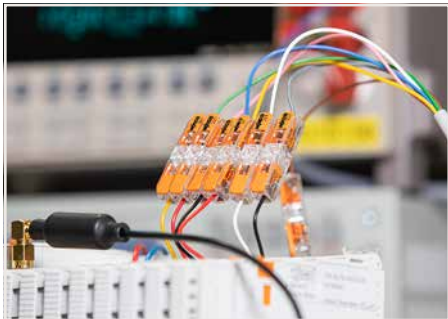
Push up the lever to open the clamping unit and insert the conductor.



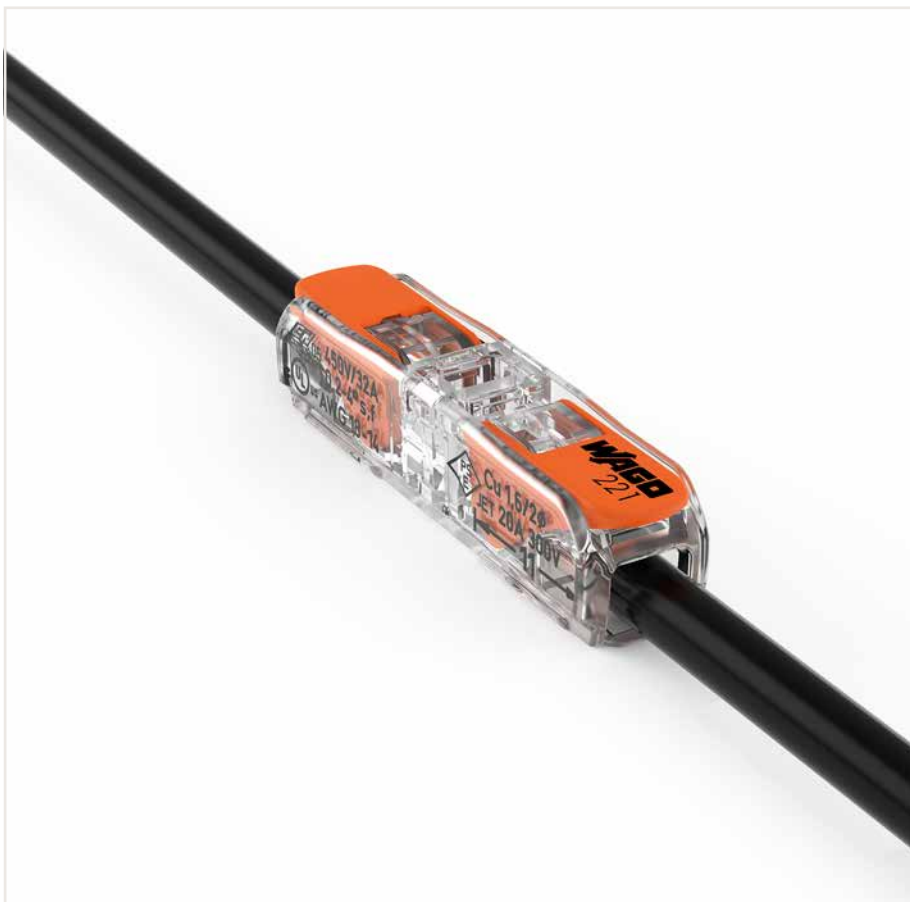
Push the lever back down.

**Your Benefits:**

- Inline connection of solid, stranded and fine-stranded conductors from 0.2 to 4 mm<sup>2</sup>
- Slim design needs minimum space in tight areas
- Tool-free connection and disconnection thanks to convenient lever technology
- Use a mounting carrier for fixed and multi-pole wiring



Perfect for test setups



Simple extension of lines



Lighting connection in suspended ceilings



Multi-pole, fixed lighting fixture wiring

## Inline Splicing Connector 221 Series

Technical Data	
0.2 ... 4 mm <sup>2</sup> "s"	20 ... 14 AWG "s"
0.2 ... 2.5 mm <sup>2</sup> "st"	18 ... 14 AWG "st"
0.2 ... 4 mm <sup>2</sup> "f-st"	18 ... 14 AWG "f-st"
450 V/4 kV/2 ①	600 V, 20 A ②
I <sub>N</sub> 32 A	
11 mm / 0.43 inch	

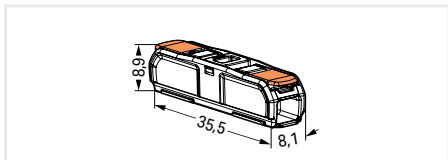
Technical Data	
0.2 ... 4 mm <sup>2</sup> "s"	20 ... 12 AWG "s"
0.2 ... 2.5 mm <sup>2</sup> "st"	18 ... 12 AWG "st"
0.34 ... 4 mm <sup>2</sup> "f-st"	18 ... 12 AWG "f-st"
450 V/4 kV/2 ①	600 V, 20 A ②
I <sub>N</sub> 32 A	
11 mm / 0.43 inch	

① 450 V = rated voltage  
4 kV = rated impulse voltage  
2 = pollution degree  
(see Full Line Catalog, Volume 1, Section 15)

Approvals and corresponding ratings, visit [www.wago.com](http://www.wago.com)



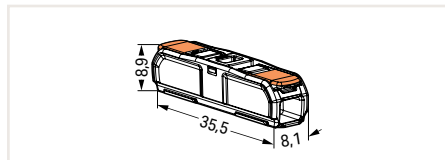
Dimensions in mm



Inline splicing connector with levers; transparent housing; transparent cover

Item No.	Pack. Unit
221-2411	600 (60)

Dimensions in mm



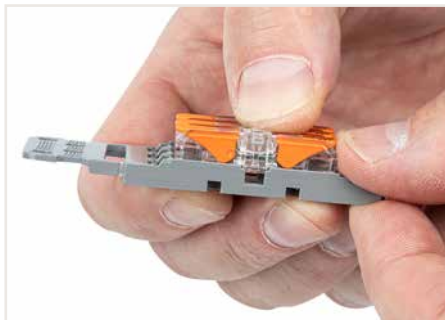
Inline splicing connector with levers; transparent housing; white cover  
This connector is 12 AWG capable and ideal for installations in the North American market.

Item No.	Pack. Unit
221-2401	600 (60)

## Mounting Carrier; for Inline Splicing Connectors Installation



Place the inline splicing connector on the carrier in front of the mounting position.



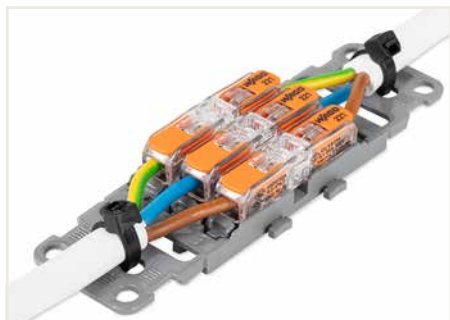
Push the connector to the center position until it snaps into place.



Wiring can also be performed in a fixed position.



Various combinations of 1- to 5-connector mounting carriers are possible via side-by-side latching mechanism.



3-pole mounting carrier with strain relief

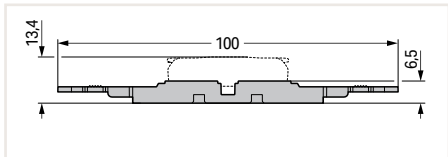


Mounting carrier without strain relief – snapped onto DIN-rail

# Mounting Carrier; for Inline Splicing Connectors 221 Series



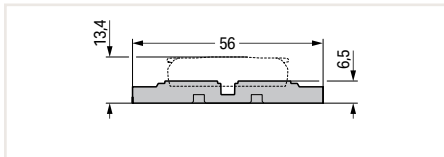
Dimensions in mm



Mounting carrier with strain relief; for inline splicing connector with levers; for screw mounting; gray

	Item No.	Pack. Unit
○ 1x	221-2501	25 (5)
○ 2x	221-2502	25 (5)
○ 3x	221-2503	25 (5)
○ 4x	221-2504	25 (5)
○ 5x	221-2505	25 (5)

Dimensions in mm



Mounting carrier; for inline splicing connector with levers; for screw mounting; gray

	Item No.	Pack. Unit
○ 1x	221-2521	25 (5)
○ 2x	221-2522	25 (5)
○ 3x	221-2523	25 (5)
○ 4x	221-2524	25 (5)
○ 5x	221-2525	25 (5)

**Accessories; 221 Series**

Appropriate marking systems:  
WMB/WMB Inline/Marking strips

Mounting foot; can be screwed on terminal blocks with mounting flange; for DIN-15 rail; 6.4 mm wide

gray	209-1116	25
------	----------	----

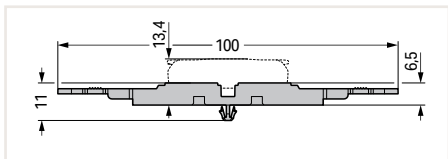
Marking strip; as DIN A4 sheet; 5 mm high; 182 mm long; plain; self-adhesive



white	210-334	100
-------	---------	-----



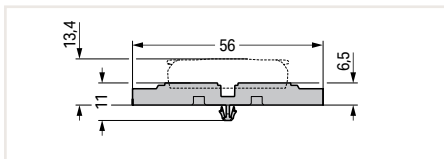
Dimensions in mm



Mounting carrier with strain relief; for inline splicing connector with levers; with snap-in mounting foot; gray

	Item No.	Pack. Unit
○ 1x	221-2511	25 (5)
○ 2x	221-2512	25 (5)
○ 3x	221-2513	25 (5)
○ 4x	221-2514	25 (5)
○ 5x	221-2515	25 (5)

Dimensions in mm



Mounting carrier; for inline splicing connector with levers; with snap-in mounting foot; gray

	Item No.	Pack. Unit
○ 1x	221-2531	25 (5)
○ 2x	221-2532	25 (5)
○ 3x	221-2533	25 (5)
○ 4x	221-2534	25 (5)
○ 5x	221-2535	25 (5)

**Accessories; 221 Series**

Appropriate marking system: Marking strips

Mounting foot; snaps onto terminal blocks with snap-in mounting foot; for DIN-35 rail; 6.4 mm wide

gray	209-120	25
------	---------	----



Mounting foot with screw; can be screwed on terminal blocks with mounting flange; for DIN-35 rail; 6.4 mm wide

gray	209-123	25
------	---------	----

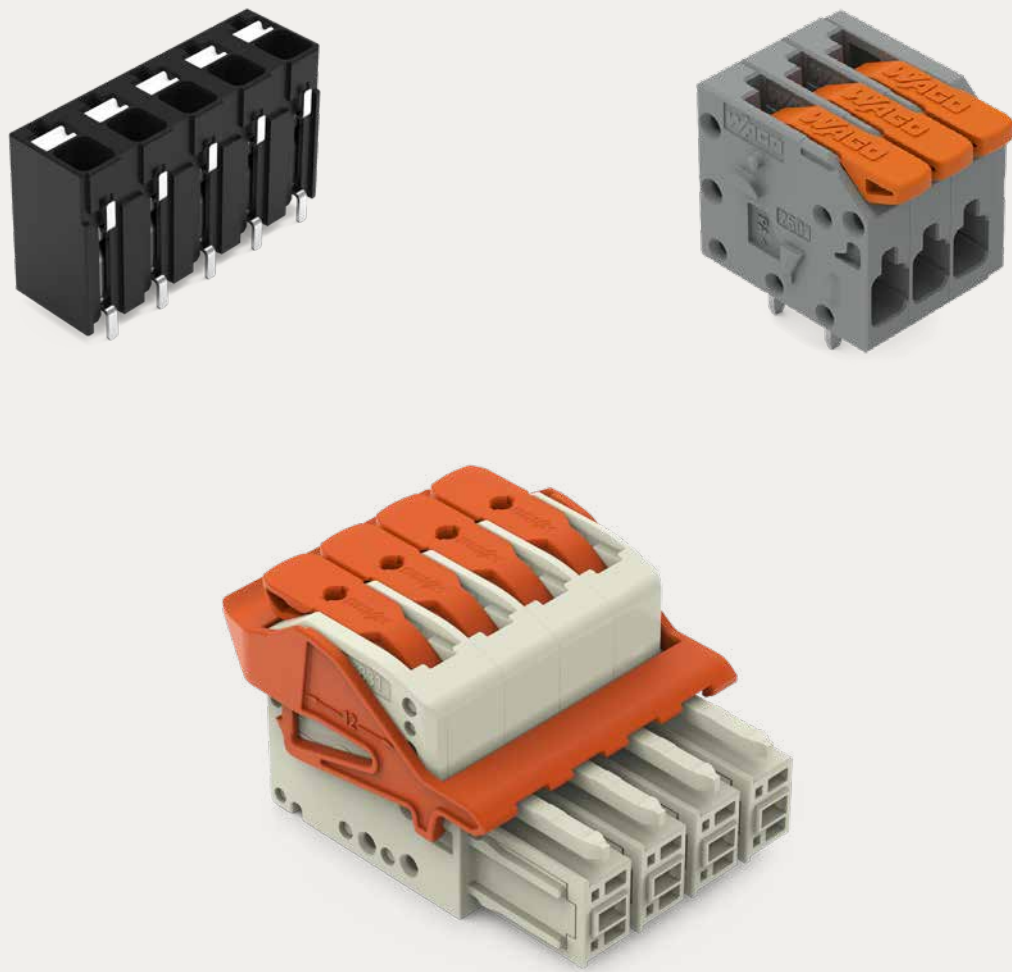


Mounting screw; for mounting foot (209-120)

209-119	500 (50)
---------	----------









Mounting foot; snaps onto terminal blocks with snap-in mounting foot; for DIN-15 rail; 6.4 mm wide

gray	209-1115	25
------	----------	----



## Volume 2, WAGO PCB Terminal Blocks and Connectors

## Volume 2, WAGO PCB Terminal Blocks and Connectors

		Nominal Cross-Section	Series	Page
	THR PCB Terminal Blocks ▶ Actuation type: Push-button ▶ Push-in CAGE CLAMP® ▶ Color: black	1,5 mm <sup>2</sup>	2086	47
	SMD PCB Terminal Blocks ▶ Actuation type: Push-button ▶ Push-in CAGE CLAMP® ▶ Color: black	1,5 mm <sup>2</sup>	2086	63
	SMD PCB Terminal Blocks ▶ Actuation type: Push-button ▶ Push-in CAGE CLAMP® ▶ Color: white	1,5 mm <sup>2</sup>	2086	67
	PCB Terminal Blocks ▶ Actuation type: Lever ▶ Push-in CAGE CLAMP®	1,5 mm <sup>2</sup>	2601	71
	1-Conductor Female Connectors ▶ MCS MINI ▶ Actuation type: Lever ▶ Push-in CAGE CLAMP®	1,5 mm <sup>2</sup>	2734	73
	1-Conductor Female Connectors ▶ MCS MAXI 6 ▶ Actuation type: Lever ▶ Locking of plug-in connection: frontal locking lever lateral locking lever central locking lever	6 mm <sup>2</sup> 6 mm <sup>2</sup> 6 mm <sup>2</sup>	831 831 831	75 75 75
	THR Solder Pin Strips ▶ <i>picoMAX</i> ® 3.5 THR Solder Pin Strips ▶ <i>picoMAX</i> ® 5.0 THR Solder Pin Strips ▶ <i>picoMAX</i> ® 7.5		2091 2092 2092	77 79 81
	THR Solder Pin Strips ▶ <i>picoMAX</i> ® 3.5 THR Solder Pin Strips ▶ <i>picoMAX</i> ® 5.0 THR Solder Pin Strips ▶ <i>picoMAX</i> ® 7.5		2091 2092 2092	83 85 87

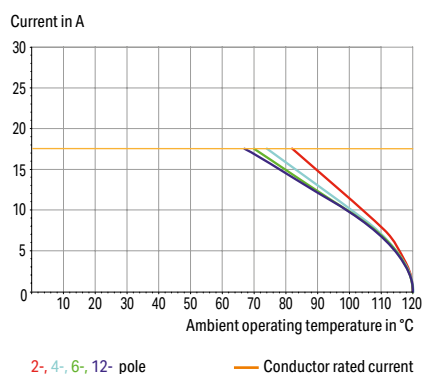
**THR PCB terminal block ▶ 2086 Series**

Push-in CAGE CLAMP® ▶ Actuation type: Push-button ▶ 1.5 mm<sup>2</sup> ▶ Pin spacing: 3.5 mm / 0.138 inch ▶ Solder pin arrangement: over the entire terminal strip (in-line) ▶ Color: black



- Ideal for compact device connection, panel feedthrough and tight spaces
- Push-in CAGE CLAMP® allows push-in termination of solid and fine-stranded conductors with ferrules from 0.2 to 1.5 mm<sup>2</sup>
- SMD and THR variants available
- Push-button moves in direction of conductor connection
- Conductor connection and mating direction both parallel and perpendicular to the PCB
- Choice of double pin spacing or alternating pin spacing, 3.5 and 5 mm pin spacing

**Current-Carrying Capacity Curve**  
Pin spacing: 3.5 mm / Conductor cross-section: 1.5 mm<sup>2</sup> \*f-st\*  
Based on: EN 60512-5-2 / Reduction factor: 1

**Electrical Data**

Pin spacing	3.5 mm / 0.138 inch		
Ratings per	IEC/EN 60664-1		
Overvoltage category	III	III	II
Pollution degree	3	2	2
Nominal voltage	160 V	160 V	320 V
Rated surge voltage	2.5 kV	2.5 kV	2.5 kV
Rated current	17.5 A	17.5 A	17.5 A
Approvals per	UL 1059		
Use group	B	C	D
Rated voltage	300 V	300 V	300 V
Rated current	14 A	14 A	14 A
Approvals per	CSA		
Use group	B	C	D
Rated voltage	300 V	-	300 V
Rated current	14 A	-	14 A

**Connection Data**

Connection technology	Push-in CAGE CLAMP®
Strip length	8 ... 9 mm / 0.31 ... 0.35 inch
Solid conductor	0,14 ... 1,5 mm <sup>2</sup> / 28 ... 16 AWG (10 A per UL/CSA)
Fine-stranded conductor	0,14 ... 1,5 mm <sup>2</sup> / 26 ... 14 AWG (14 A per UL/CSA)
Fine-stranded conductor; with insulated ferrule	0.25 ... 0.75 mm <sup>2</sup>
Fine-stranded conductor; with uninsulated ferrule	0.25 ... 1.5 mm <sup>2</sup>

**Material Data**

Insulation material	Polyphthalamide (PPA GF)
Flammability class per UL94	V0
Clamping spring material	Chrome nickel spring steel (CrNi)
Contact material	Electrolytic copper (E <sub>cu</sub> )
Contact plating	Tin-plated

**Mechanical Data**

Solder pin arrangement	Over the entire terminal strip (in-line)
Solder pin dimensions	0.3 x 0.8 mm
Plated through-hole diameter (THR)	1 <sup>(+0.1)</sup> mm

**Environmental Requirements**

Limit temperature range	-60 ... +105 °C
-------------------------	-----------------



### THR PCB terminal block ▶ 2086 Series

Push-in CAGE CLAMP® ▶ Actuation type: Push-button ▶ 1.5 mm<sup>2</sup> ▶ Pin spacing: 3.5 mm / 0.138 inch ▶ Solder pin arrangement: over the entire terminal strip (in-line) ▶ Color: black

Solder pin length: 1.5 mm ▶ Conductor connection direction to PCB 0°

Solder pin length: 1.5 mm ▶ Conductor connection direction to PCB 90°

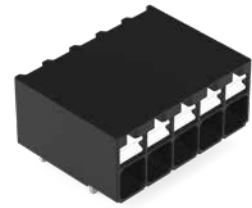
Solder pin length: 2.4 mm ▶ Conductor connection direction to PCB 0°



2086-1205/300-000



2086-1105/300-000

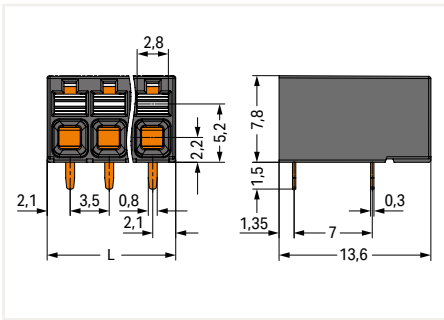


2086-1205

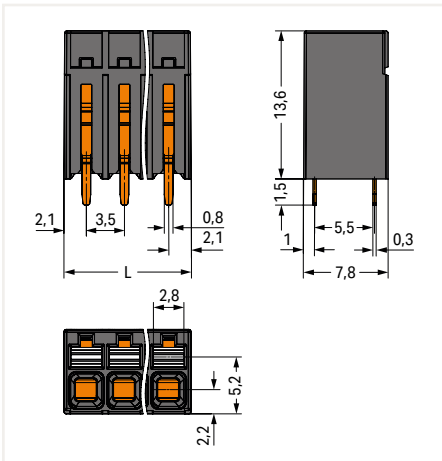
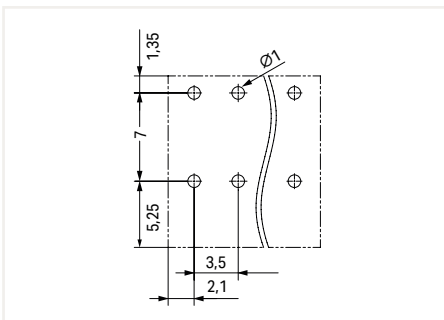
Pole No.	Item number	PU
2	2086-1202/300-000	432
3	2086-1203/300-000	300
4	2086-1204/300-000	228
5	2086-1205/300-000	180
6	2086-1206/300-000	144
7	2086-1207/300-000	132
8	2086-1208/300-000	108
9	2086-1209/300-000	96
10	2086-1210/300-000	84
11	2086-1211/300-000	84
12	2086-1212/300-000	72

Pole No.	Item number	PU
2	2086-1102/300-000	432
3	2086-1103/300-000	300
4	2086-1104/300-000	228
5	2086-1105/300-000	180
6	2086-1106/300-000	144
7	2086-1107/300-000	132
8	2086-1108/300-000	108
9	2086-1109/300-000	96
10	2086-1110/300-000	84
11	2086-1111/300-000	84
12	2086-1112/300-000	72

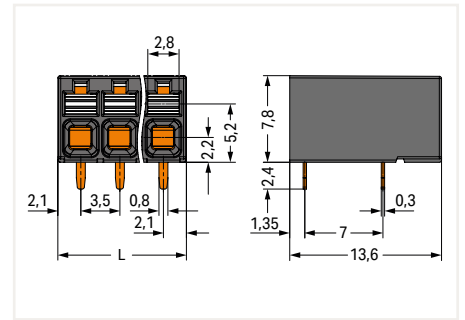
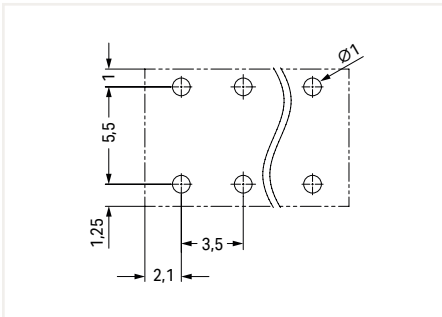
Pole No.	Item number	PU
2	2086-1202	432
3	2086-1203	300
4	2086-1204	228
5	2086-1205	180
6	2086-1206	144
7	2086-1207	132
8	2086-1208	108
9	2086-1209	96
10	2086-1210	84
11	2086-1211	84
12	2086-1212	72



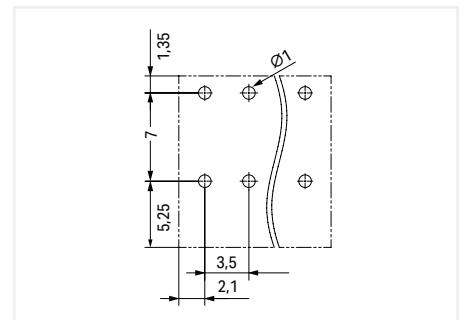
$L = (\text{pole no.} - 1) \times \text{pin spacing} + 4.2 \text{ mm}$



$L = (\text{pole no.} - 1) \times \text{pin spacing} + 4.2 \text{ mm}$



$L = (\text{pole no.} - 1) \times \text{pin spacing} + 4.2 \text{ mm}$



PU = Packaging Unit; SPU = Subpackaging Unit; Dimensions in mm

**THR PCB terminal block ▶ 2086 Series**

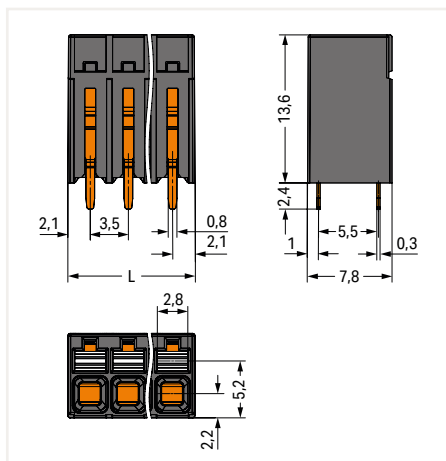
Push-in CAGE CLAMP® ▶ Actuation type: Push-button ▶ 1.5 mm<sup>2</sup> ▶ Pin spacing: 3.5 mm / 0.138 inch ▶ Solder pin arrangement: over the entire terminal strip (in-line) ▶ Color: black

Solder pin length: 2.4 mm ▶ Conductor connection direction to PCB 90°

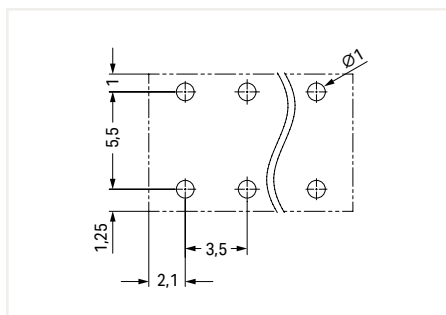


2086-1105

Pole No.	Item number	PU
2	2086-1102	432
3	2086-1103	300
4	2086-1104	228
5	2086-1105	180
6	2086-1106	144
7	2086-1107	132
8	2086-1108	108
9	2086-1109	96
10	2086-1110	84
11	2086-1111	84
12	2086-1112	72



$L = (\text{pole no.} - 1) \times \text{pin spacing} + 4.2 \text{ mm}$



PU = Packaging Unit; SPU = Subpackaging Unit; Dimensions in mm



**THR PCB terminal block ▶ 2086 Series**

Push-in CAGE CLAMP® ▶ Actuation type: Push-button ▶ 1.5 mm<sup>2</sup> ▶ Pin spacing: 3.5 mm / 0.138 inch ▶ Solder pin arrangement: over the entire terminal strip (staggered) ▶ Color: black

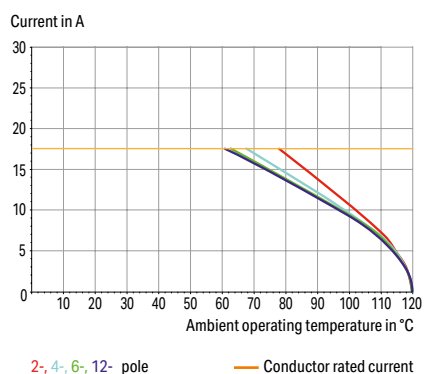
1



- Ideal for compact device connection, panel feedthrough and tight spaces
- Push-in CAGE CLAMP® allows push-in termination of solid and fine-stranded conductors with ferrules from 0.2 to 1.5 mm<sup>2</sup>
- SMD and THR variants available
- Push-button moves in direction of conductor connection
- Conductor connection and mating direction both parallel and perpendicular to the PCB
- Choice of double pin spacing or alternating pin spacing, 3.5 and 5 mm pin spacing

**Current-Carrying Capacity Curve**

Pin spacing: 3.5 mm / Conductor cross-section: 1.5 mm<sup>2</sup> \*f-st\*  
Based on: EN 60512-5-2 / Reduction factor: 1

**Electrical Data**

Pin spacing	3.5 mm / 0.138 inch		
Ratings per	IEC/EN 60664-1		
Overvoltage category	III	III	II
Pollution degree	3	2	2
Nominal voltage	160 V	160 V	320 V
Rated surge voltage	2.5 kV	2.5 kV	2.5 kV
Rated current	17.5 A	17.5 A	17.5 A
Approvals per	UL 1059		
Use group	B	C	D
Rated voltage	300 V	300 V	300 V
Rated current	14 A	14 A	14 A
Approvals per	CSA		
Use group	B	C	D
Rated voltage	300 V	-	300 V
Rated current	14 A	-	14 A

**Connection Data**

Connection technology	Push-in CAGE CLAMP®
Strip length	8 ... 9 mm / 0.31 ... 0.35 inch
Solid conductor	0,14 ... 1,5 mm <sup>2</sup> / 28 ... 16 AWG (10 A per UL/CSA)
Fine-stranded conductor	0,14 ... 1,5 mm <sup>2</sup> / 26 ... 14 AWG (14 A per UL/CSA)
Fine-stranded conductor; with insulated ferrule	0.25 ... 0.75 mm <sup>2</sup>
Fine-stranded conductor; with uninsulated ferrule	0.25 ... 1.5 mm <sup>2</sup>

**Material Data**

Insulation material	Polyphthalamide (PPA GF)
Flammability class per UL94	V0
Clamping spring material	Chrome nickel spring steel (CrNi)
Contact material	Electrolytic copper (E <sub>cu</sub> )
Contact plating	Tin-plated

**Mechanical Data**

Solder pin arrangement	Over the entire terminal strip (in-line)
Solder pin dimensions	0.3 x 0.8 mm
Plated through-hole diameter (THR)	1 <sup>(+0.1)</sup> mm

**Environmental Requirements**

Limit temperature range	-60 ... +105 °C
-------------------------	-----------------

### THR PCB terminal block ▶ 2086 Series

Push-in CAGE CLAMP® ▶ Actuation type: Push-button ▶ 1.5 mm<sup>2</sup> ▶ Pin spacing: 3.5 mm / 0.138 inch ▶ Solder pin arrangement: over the entire terminal strip (staggered) ▶ Color: black

Solder pin length: 1.5 mm ▶ Conductor connection direction to PCB 0°

Solder pin length: 1.5 mm ▶ Conductor connection direction to PCB 90°

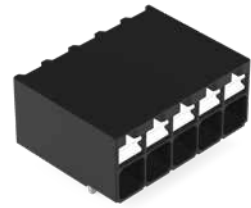
Solder pin length: 2.4 mm ▶ Conductor connection direction to PCB 0°



2086-1225/300-000



2086-1125/300-000

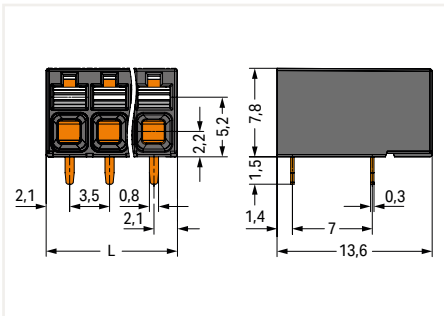


2086-1225

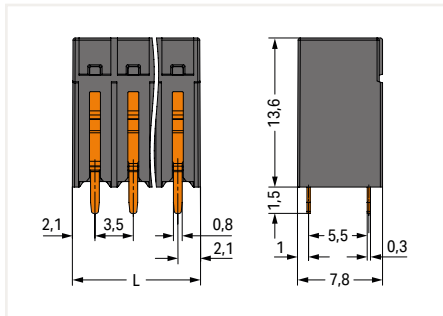
Pole No.	Item number	PU
2	2086-1222/300-000	432
3	2086-1223/300-000	300
4	2086-1224/300-000	228
5	2086-1225/300-000	180
6	2086-1226/300-000	144
7	2086-1227/300-000	132
8	2086-1228/300-000	108
9	2086-1229/300-000	96
10	2086-1230/300-000	84
11	2086-1231/300-000	84
12	2086-1232/300-000	72

Pole No.	Item number	PU
2	2086-1122/300-000	432
3	2086-1123/300-000	300
4	2086-1124/300-000	228
5	2086-1125/300-000	180
6	2086-1126/300-000	144
7	2086-1127/300-000	132
8	2086-1128/300-000	108
9	2086-1129/300-000	96
10	2086-1130/300-000	84
11	2086-1131/300-000	84
12	2086-1132/300-000	72

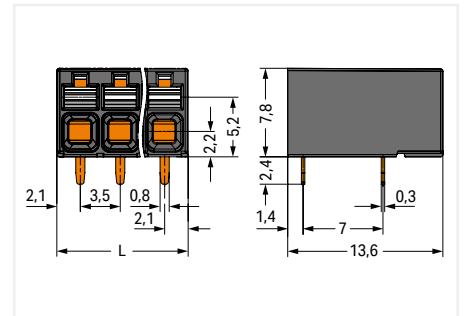
Pole No.	Item number	PU
2	2086-1222	432
3	2086-1223	300
4	2086-1224	228
5	2086-1225	180
6	2086-1226	144
7	2086-1227	132
8	2086-1228	108
9	2086-1229	96
10	2086-1230	84
11	2086-1231	84
12	2086-1232	72



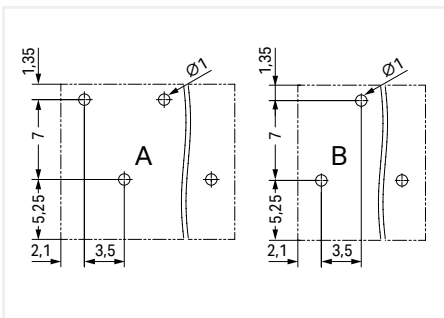
L = (pole no. - 1) x pin spacing + 4.2 mm



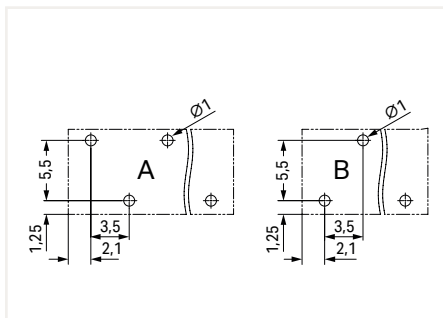
L = (pole no. - 1) x pin spacing + 4.2 mm



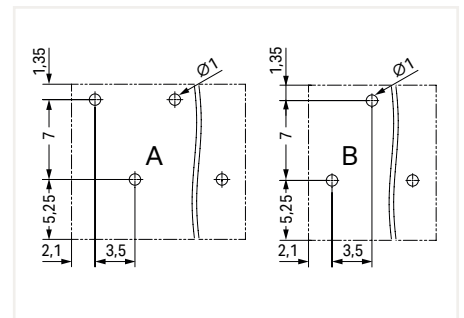
L = (pole no. - 1) x pin spacing + 4.2 mm



A = even number of poles  
B = odd number of poles



A = even number of poles  
B = odd number of poles



A = even number of poles  
B = odd number of poles

PU = Packaging Unit; SPU = Subpackaging Unit; Dimensions in mm

**THR PCB terminal block ▶ 2086 Series**

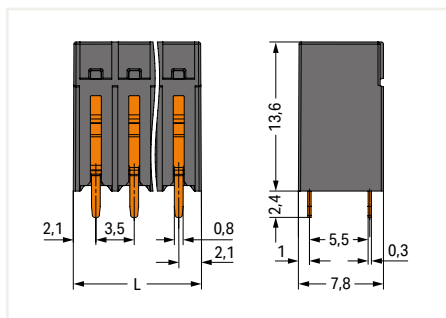
Push-in CAGE CLAMP® ▶ Actuation type: Push-button ▶ 1.5 mm<sup>2</sup> ▶ Pin spacing: 3.5 mm / 0.138 inch ▶ Solder pin arrangement: over the entire terminal strip (staggered) ▶ Color: black

Solder pin length: 2.4 mm ▶ Conductor connection direction to PCB 90°

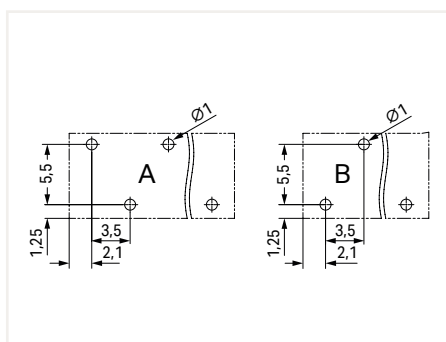


2086-1125

Pole No.	Item number	PU
2	2086-1122	432
3	2086-1123	300
4	2086-1124	228
5	2086-1125	180
6	2086-1126	144
7	2086-1127	132
8	2086-1128	108
9	2086-1129	96
10	2086-1130	84
11	2086-1131	84
12	2086-1132	72



$L = (\text{pole no.} - 1) \times \text{pin spacing} + 4.2 \text{ mm}$



A = even number of poles  
B = odd number of poles

PU = Packaging Unit; SPU = Subpackaging Unit; Dimensions in mm



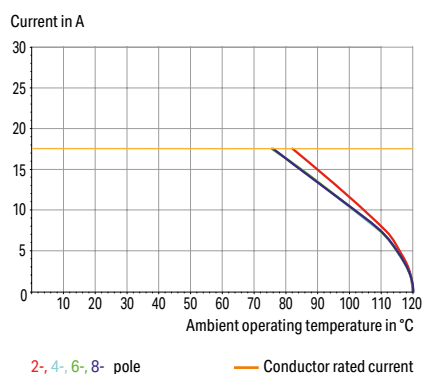
**THR PCB terminal block ▶ 2086 Series**Push-in CAGE CLAMP® ▶ Actuation type: Push-button ▶ 1.5 mm<sup>2</sup> ▶ Pin spacing: 5 mm / 0.197 inch

▶ Solder pin arrangement: over the entire terminal strip (in-line) ▶ Color: black

1



- Ideal for compact device connection, panel feedthrough and tight spaces
- Push-in CAGE CLAMP® allows push-in termination of solid and fine-stranded conductors with ferrules from 0.2 to 1.5 mm<sup>2</sup>
- SMD and THR variants available
- Push-button moves in direction of conductor connection
- Conductor connection and mating direction both parallel and perpendicular to the PCB
- Choice of double pin spacing or alternating pin spacing, 3.5 and 5 mm pin spacing

**Current-Carrying Capacity Curve**Pin spacing: 5 mm / Conductor cross-section: 1.5 mm<sup>2</sup> "f-st"  
Based on: EN 60512-5-2 / Reduction factor: 1**Electrical Data**

Pin spacing	3.5 mm / 0.138 inch		
Ratings per	IEC/EN 60664-1		
Overvoltage category	III	III	II
Pollution degree	3	2	2
Nominal voltage	160 V	160 V	320 V
Rated surge voltage	2.5 kV	2.5 kV	2.5 kV
Rated current	17.5 A	17.5 A	17.5 A
Approvals per	UL 1059		
Use group	B	C	D
Rated voltage	300 V	300 V	300 V
Rated current	14 A	14 A	14 A
Approvals per	CSA		
Use group	B	C	D
Rated voltage	300 V	-	300 V
Rated current	14 A	-	14 A

**Connection Data**

Connection technology	Push-in CAGE CLAMP®
Strip length	8 ... 9 mm / 0.31 ... 0.35 inch
Solid conductor	0,14 ... 1,5 mm <sup>2</sup> / 28 ... 16 AWG (10 A per UL/CSA)
Fine-stranded conductor	0,14 ... 1,5 mm <sup>2</sup> / 26 ... 14 AWG (14 A per UL/CSA)
Fine-stranded conductor; with insulated ferrule	0.25 ... 0.75 mm <sup>2</sup>
Fine-stranded conductor; with uninsulated ferrule	0.25 ... 1.5 mm <sup>2</sup>

**Material Data**

Insulation material	Polyphthalamide (PPA GF)
Flammability class per UL94	V0
Clamping spring material	Chrome nickel spring steel (CrNi)
Contact material	Electrolytic copper (E <sub>cu</sub> )
Contact plating	Tin-plated

**Mechanical Data**

Solder pin arrangement	Over the entire terminal strip (in-line)
Solder pin dimensions	0.3 x 0.8 mm
Plated through-hole diameter (THR)	1 <sup>(+0.1)</sup> mm

**Environmental Requirements**

Limit temperature range	-60 ... +105 °C
-------------------------	-----------------



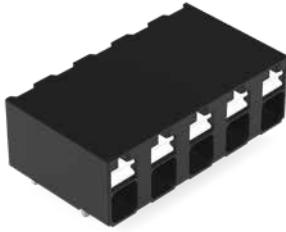
### THR PCB terminal block ▶ 2086 Series

Push-in CAGE CLAMP® ▶ Actuation type: Push-button ▶ 1.5 mm<sup>2</sup> ▶ Pin spacing: 5 mm / 0.197 inch  
 ▶ Solder pin arrangement: over the entire terminal strip (in-line) ▶ Color: black

Solder pin length: 1.5 mm ▶ Conductor connection direction to PCB 0°

Solder pin length: 1.5 mm ▶ Conductor connection direction to PCB 90°

Solder pin length: 2.4 mm ▶ Conductor connection direction to PCB 0°



2086-3205/300-000



2086-3105/300-000

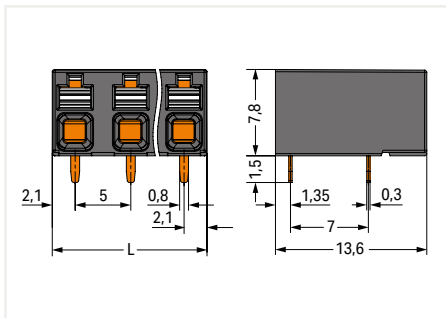


2086-3205

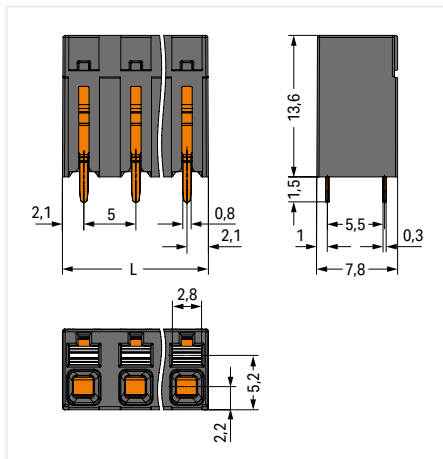
Pole No.	Item number	PU
2	2086-3202/300-000	360
3	2086-3203/300-000	228
4	2086-3204/300-000	168
5	2086-3205/300-000	132
6	2086-3206/300-000	108
7	2086-3207/300-000	96
8	2086-3208/300-000	84

Pole No.	Item number	PU
2	2086-3102/300-000	360
3	2086-3103/300-000	228
4	2086-3104/300-000	168
5	2086-3105/300-000	132
6	2086-3106/300-000	108
7	2086-3107/300-000	96
8	2086-3108/300-000	84

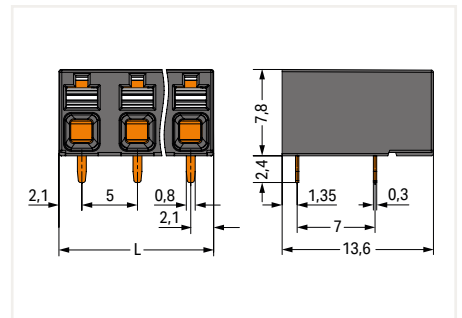
Pole No.	Item number	PU
2	2086-3202	360
3	2086-3203	228
4	2086-3204	168
5	2086-3205	132
6	2086-3206	108
7	2086-3207	96
8	2086-3208	84



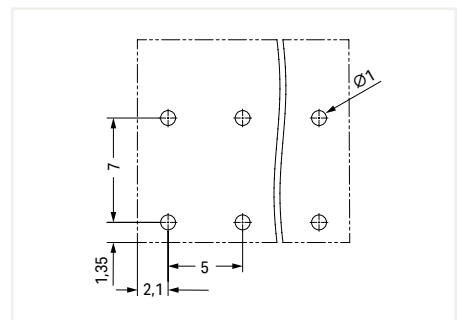
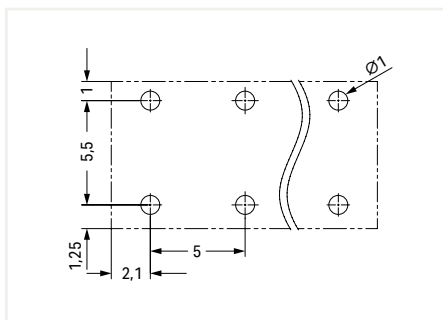
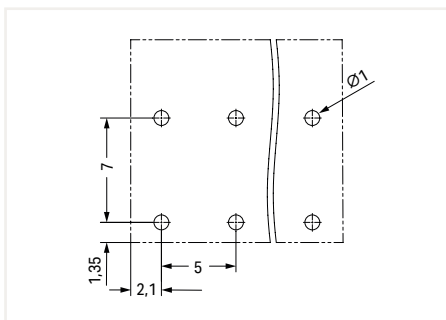
$L = (\text{pole no.} - 1) \times \text{pin spacing} + 4.2 \text{ mm}$



$L = (\text{pole no.} - 1) \times \text{pin spacing} + 4.2 \text{ mm}$



$L = (\text{pole no.} - 1) \times \text{pin spacing} + 4.2 \text{ mm}$



PU = Packaging Unit; SPU = Subpackaging Unit; Dimensions in mm

### THR PCB terminal block ▶ 2086 Series

Push-in CAGE CLAMP® ▶ Actuation type: Push-button ▶ 1.5 mm<sup>2</sup> ▶ Pin spacing: 5 mm / 0.197 inch

▶ Solder pin arrangement: over the entire terminal strip (in-line) ▶ Color: black

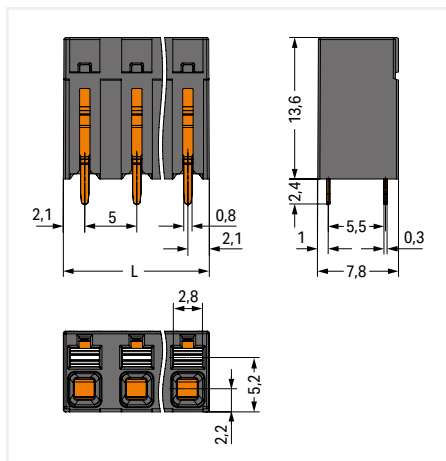
Solder pin length: 2.4 mm ▶ Conductor connection direction to PCB 90°

1

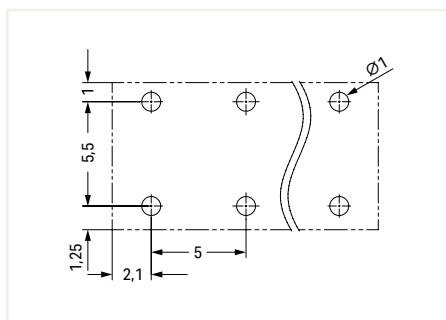


2086-3105

Pole No.	Item number	PU
2	2086-3102	360
3	2086-3103	228
4	2086-3104	168
5	2086-3105	132
6	2086-3106	108
7	2086-3107	96
8	2086-3108	84



$L = (\text{pole no.} - 1) \times \text{pin spacing} + 4.2 \text{ mm}$



PU = Packaging Unit; SPU = Subpackaging Unit; Dimensions in mm



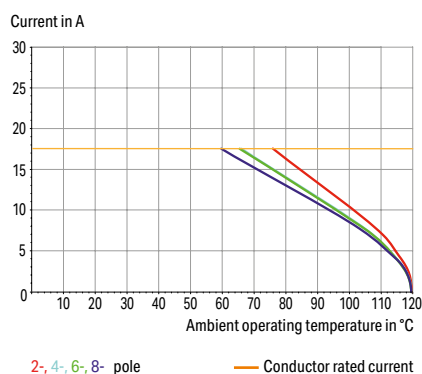
**THR PCB terminal block ▶ 2086 Series**Push-in CAGE CLAMP® ▶ Actuation type: Push-button ▶ 1.5 mm<sup>2</sup> ▶ Pin spacing: 5 mm / 0.197 inch

▶ Solder pin arrangement: over the entire terminal strip (staggered) ▶ Color: black

1



- Ideal for compact device connection, panel feedthrough and tight spaces
- Push-in CAGE CLAMP® allows push-in termination of solid and fine-stranded conductors with ferrules from 0.2 to 1.5 mm<sup>2</sup>
- SMD and THR variants available
- Push-button moves in direction of conductor connection
- Conductor connection and mating direction both parallel and perpendicular to the PCB
- Choice of double pin spacing or alternating pin spacing, 3.5 and 5 mm pin spacing

**Current-Carrying Capacity Curve**Pin spacing: 5 mm / Conductor cross-section: 1.5 mm<sup>2</sup> "f-st"  
Based on: EN 60512-5-2 / Reduction factor: 1**Electrical Data**

Pin spacing	3.5 mm / 0.138 inch		
Ratings per	IEC/EN 60664-1		
Overvoltage category	III	III	II
Pollution degree	3	2	2
Nominal voltage	160 V	160 V	320 V
Rated surge voltage	2.5 kV	2.5 kV	2.5 kV
Rated current	17.5 A	17.5 A	17.5 A
Approvals per	UL 1059		
Use group	B	C	D
Rated voltage	300 V	300 V	300 V
Rated current	14 A	14 A	14 A
Approvals per	CSA		
Use group	B	C	D
Rated voltage	300 V	-	300 V
Rated current	14 A	-	14 A

**Connection Data**

Connection technology	Push-in CAGE CLAMP®
Strip length	8 ... 9 mm / 0.31 ... 0.35 inch
Solid conductor	0,14 ... 1,5 mm <sup>2</sup> / 28 ... 16 AWG (10 A per UL/CSA)
Fine-stranded conductor	0,14 ... 1,5 mm <sup>2</sup> / 26 ... 14 AWG (14 A per UL/CSA)
Fine-stranded conductor; with insulated ferrule	0.25 ... 0.75 mm <sup>2</sup>
Fine-stranded conductor; with uninsulated ferrule	0.25 ... 1.5 mm <sup>2</sup>

**Material Data**

Insulation material	Polyphthalamide (PPA GF)
Flammability class per UL94	V0
Clamping spring material	Chrome nickel spring steel (CrNi)
Contact material	Electrolytic copper (E <sub>cu</sub> )
Contact plating	Tin-plated

**Mechanical Data**

Solder pin arrangement	Over the entire terminal strip (in-line)
Solder pin dimensions	0.3 x 0.8 mm
Plated through-hole diameter (THR)	1 <sup>(+0.1)</sup> mm

**Environmental Requirements**

Limit temperature range	-60 ... +105 °C
-------------------------	-----------------

### THR PCB terminal block ▶ 2086 Series

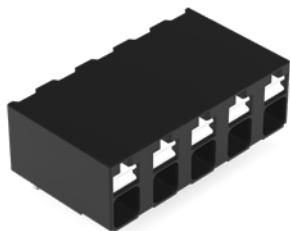
Push-in CAGE CLAMP® ▶ Actuation type: Push-button ▶ 1.5 mm<sup>2</sup> ▶ Pin spacing: 5 mm / 0.197 inch

▶ Solder pin arrangement: over the entire terminal strip (staggered) ▶ Color: black

Solder pin length: 1.5 mm ▶ Conductor connection direction to PCB 0°

Solder pin length: 1.5 mm ▶ Conductor connection direction to PCB 90°

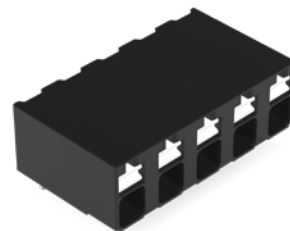
Solder pin length: 2.4 mm ▶ Conductor connection direction to PCB 0°



2086-3225/300-000



2086-3125/300-000

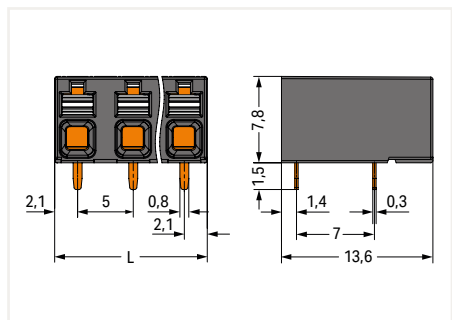


2086-3225

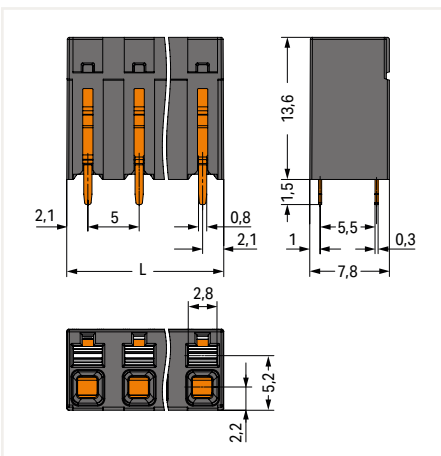
Pole No.	Item number	PU
2	2086-3222/300-000	360
3	2086-3223/300-000	228
4	2086-3224/300-000	168
5	2086-3225/300-000	132
6	2086-3226/300-000	108
7	2086-3227/300-000	96
8	2086-3228/300-000	84

Pole No.	Item number	PU
2	2086-3122/300-000	360
3	2086-3123/300-000	228
4	2086-3124/300-000	168
5	2086-3125/300-000	132
6	2086-3126/300-000	108
7	2086-3127/300-000	96
8	2086-3128/300-000	84

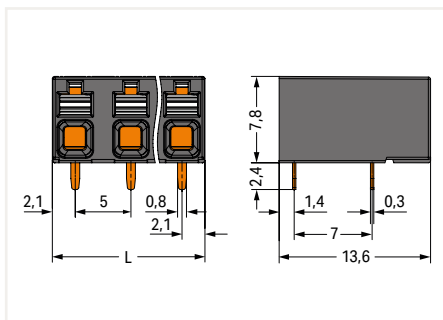
Pole No.	Item number	PU
2	2086-3222	360
3	2086-3223	228
4	2086-3224	168
5	2086-3225	132
6	2086-3226	108
7	2086-3227	96
8	2086-3228	84



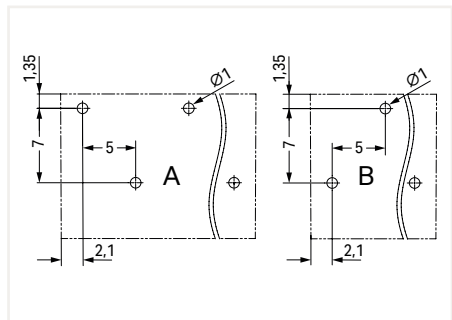
$L = (\text{pole no.} - 1) \times \text{pin spacing} + 4.2 \text{ mm}$



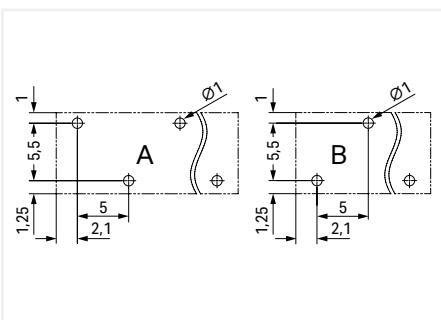
$L = (\text{pole no.} - 1) \times \text{pin spacing} + 4.2 \text{ mm}$



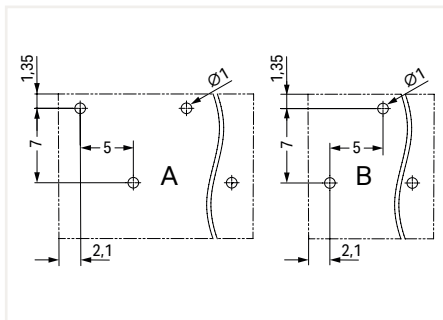
$L = (\text{pole no.} - 1) \times \text{pin spacing} + 4.2 \text{ mm}$



A = even number of poles  
B = odd number of poles



A = even number of poles  
B = odd number of poles



A = even number of poles  
B = odd number of poles

PU = Packaging Unit; SPU = Subpackaging Unit; Dimensions in mm

**THR PCB terminal block ▶ 2086 Series**Push-in CAGE CLAMP® ▶ Actuation type: Push-button ▶ 1.5 mm<sup>2</sup> ▶ Pin spacing: 5 mm / 0.197 inch

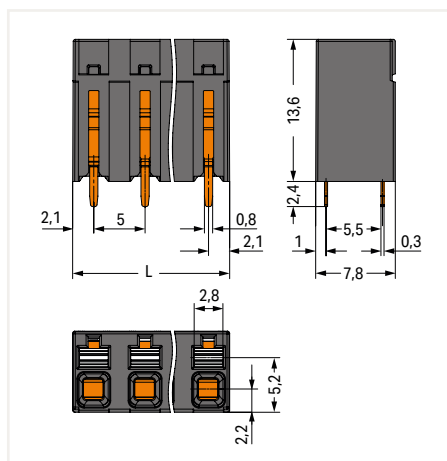
▶ Solder pin arrangement: over the entire terminal strip (staggered) ▶ Color: black

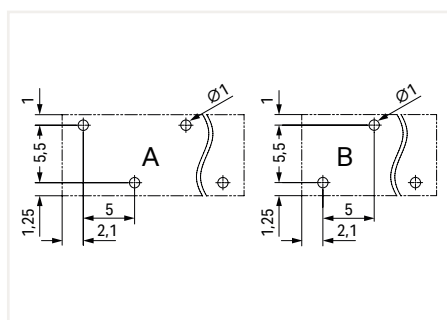
Solder pin length: 2.4 mm ▶ Conductor connection direction to PCB 90°



2086-3125

Pole No.	Item number	PU
2	2086-3122	360
3	2086-3123	228
4	2086-3124	168
5	2086-3125	132
6	2086-3126	108
7	2086-3127	96
8	2086-3128	84



$$L = (\text{pole no.} - 1) \times \text{pin spacing} + 4.2 \text{ mm}$$


A = even number of poles  
 B = odd number of poles

PU = Packaging Unit; SPU = Subpackaging Unit; Dimensions in mm



**SMD PCB terminal block ▶ 2086 Series**

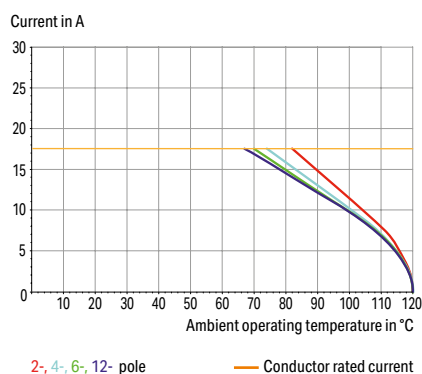
Push-in CAGE CLAMP® ▶ Actuation type: Push-button ▶ 1.5 mm<sup>2</sup> ▶ Pin spacing:  
3.5 mm / 0.138 inch ▶ Suitable for automated assembly ▶ Color: black



- Ideal for compact device connection, panel feedthrough and tight spaces
- Push-in CAGE CLAMP® allows push-in termination of solid and fine-stranded conductors with ferrules from 0.2 to 1.5 mm<sup>2</sup>
- SMD and THR variants available
- Delivery in tape-and-reel packaging for full integration into SMT soldering process
- Push-button moves in direction of conductor connection
- Conductor connection and mating direction both parallel and perpendicular to the PCB

**Current-Carrying Capacity Curve**

Pin spacing: 3.5 mm / Conductor cross-section: 1.5 mm<sup>2</sup> \*f-st\*  
Based on: EN 60512-5-2 / Reduction factor: 1

**Electrical Data**

Pin spacing	3.5 mm / 0.138 inch		
Ratings per	IEC/EN 60664-1		
Overvoltage category	III	III	II
Pollution degree	3	2	2
Nominal voltage	160 V	160 V	320 V
Rated surge voltage	2.5 kV	2.5 kV	2.5 kV
Rated current	17.5 A	17.5 A	17.5 A
Approvals per	UL 1059		
Use group	B	C	D
Rated voltage	300 V	300 V	300 V
Rated current	14 A	14 A	14 A
Approvals per	CSA		
Use group	B	C	D
Rated voltage	300 V	-	300 V
Rated current	14 A	-	14 A

**Connection Data**

Connection technology	Push-in CAGE CLAMP®
Strip length	8 ... 9 mm / 0.31 ... 0.35 inch
Solid conductor	0,14 ... 1,5 mm <sup>2</sup> / 28 ... 16 AWG (10 A per UL/CSA)
Fine-stranded conductor	0,14 ... 1,5 mm <sup>2</sup> / 26 ... 14 AWG (14 A per UL/CSA)
Fine-stranded conductor; with insulated ferrule	0.25 ... 0.75 mm <sup>2</sup>
Fine-stranded conductor; with uninsulated ferrule	0.25 ... 1.5 mm <sup>2</sup>

**Material Data**

Insulation material	Polyphthalamide (PPA GF)
Flammability class per UL94	V0
Clamping spring material	Chrome nickel spring steel (CrNi)
Contact material	Electrolytic copper (E <sub>cu</sub> )
Contact plating	Tin-plated

**Mechanical Data**

Solder pin arrangement	Over the entire terminal strip (in-line)
Solder pin dimensions	0.3 x 0.8 mm
Plated through-hole diameter (THR)	1 <sup>(+0.1)</sup> mm

**Environmental Requirements**

Limit temperature range	-60 ... +105 °C
-------------------------	-----------------

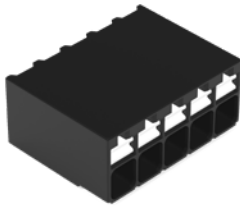


### SMD PCB terminal block ▶ 2086 Series

Push-in CAGE CLAMP® ▶ Actuation type: Push-button ▶ 1.5 mm<sup>2</sup> ▶ Pin spacing: 3.5 mm / 0.138 inch ▶ Suitable for automated assembly ▶ Color: black

Conductor connection direction to PCB 0°

Conductor connection direction to PCB 90°



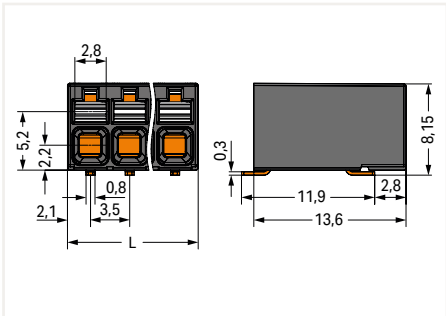
2086-1205/700-000



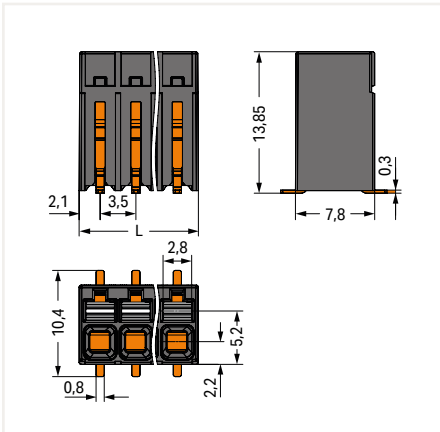
2086-1105/700-000

Pole No.	Tape width	Item number	PU
2	24 mm	2086-1202/700-000/997-604	515
3	32 mm	2086-1203/700-000/997-605	515
4	32 mm	2086-1204/700-000/997-605	515
5	32 mm	2086-1205/700-000/997-605	515
6	56 mm	2086-1206/700-000/997-607	515
7	56 mm	2086-1207/700-000/997-607	515
8	56 mm	2086-1208/700-000/997-607	515
9	56 mm	2086-1209/700-000/997-607	515
10	56 mm	2086-1210/700-000/997-607	515
11	56 mm	2086-1211/700-000/997-607	515
12	56 mm	2086-1212/700-000/997-607	515

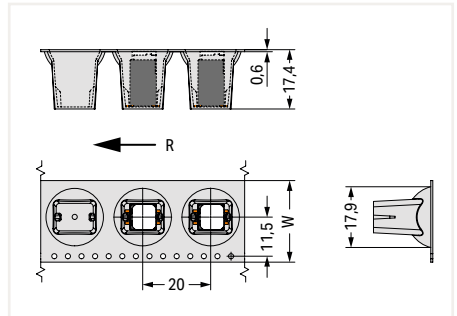
Pole No.	Tape width	Item number	PU
2	24 mm	2086-1102/700-000/997-604	270
3	32 mm	2086-1103/700-000/997-605	270
4	32 mm	2086-1104/700-000/997-605	270
5	32 mm	2086-1105/700-000/997-605	270
6	56 mm	2086-1106/700-000/997-607	270
7	56 mm	2086-1107/700-000/997-607	270
8	56 mm	2086-1108/700-000/997-607	270
9	56 mm	2086-1109/700-000/997-607	270
10	56 mm	2086-1110/700-000/997-607	270
11	56 mm	2086-1111/700-000/997-607	270
12	56 mm	2086-1112/700-000/997-607	270



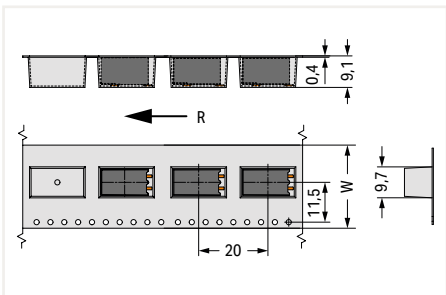
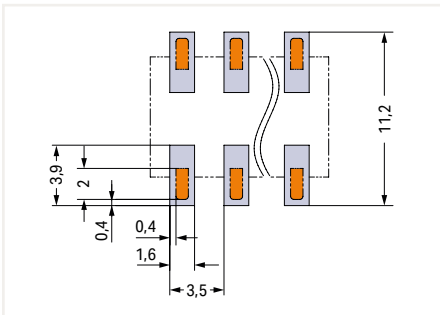
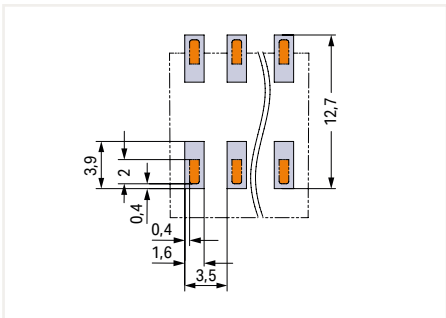
$L = (\text{pole no.} - 1) \times \text{pin spacing} + 4.2 \text{ mm}$



$L = (\text{pole no.} - 1) \times \text{pin spacing} + 4.2 \text{ mm}$



W = Tape width  
R = Feed direction



W = Tape width  
R = Feed direction

PU = Packaging Unit; SPU = Subpackaging Unit; Dimensions in mm

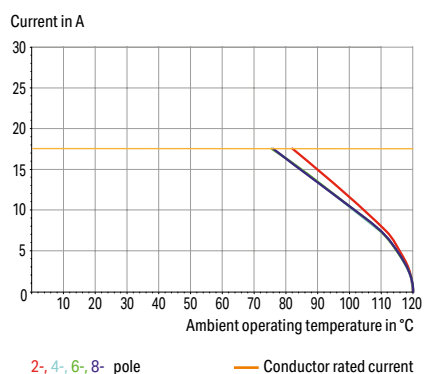
**SMD PCB terminal block ▶ 2086 Series**Push-in CAGE CLAMP® ▶ Actuation type: Push-button ▶ 1.5 mm<sup>2</sup> ▶ Pin spacing: 5 mm / 0.197 inch

▶ Suitable for automated assembly ▶ Color: black

1



- Ideal for compact device connection, panel feedthrough and tight spaces
- Push-in CAGE CLAMP® allows push-in termination of solid and fine-stranded conductors with ferrules from 0.2 to 1.5 mm<sup>2</sup>
- SMD and THR variants available
- Delivery in tape-and-reel packaging for full integration into SMT soldering process
- Push-button moves in direction of conductor connection
- Conductor connection and mating direction both parallel and perpendicular to the PCB

**Current-Carrying Capacity Curve**Pin spacing: 5 mm / Conductor cross-section: 1.5 mm<sup>2</sup> "f-st"  
Based on: EN 60512-5-2 / Reduction factor: 1**Electrical Data**

Pin spacing	3.5 mm / 0.138 inch		
Ratings per	IEC/EN 60664-1		
Overvoltage category	III	III	II
Pollution degree	3	2	2
Nominal voltage	160 V	160 V	320 V
Rated surge voltage	2.5 kV	2.5 kV	2.5 kV
Rated current	17.5 A	17.5 A	17.5 A
Approvals per	UL 1059		
Use group	B	C	D
Rated voltage	300 V	300 V	300 V
Rated current	14 A	14 A	14 A
Approvals per	CSA		
Use group	B	C	D
Rated voltage	300 V	-	300 V
Rated current	14 A	-	14 A

**Connection Data**

Connection technology	Push-in CAGE CLAMP®
Strip length	8 ... 9 mm / 0.31 ... 0.35 inch
Solid conductor	0,14 ... 1,5 mm <sup>2</sup> / 28 ... 16 AWG (10 A per UL/CSA)
Fine-stranded conductor	0,14 ... 1,5 mm <sup>2</sup> / 26 ... 14 AWG (14 A per UL/CSA)
Fine-stranded conductor; with insulated ferrule	0.25 ... 0.75 mm <sup>2</sup>
Fine-stranded conductor; with uninsulated ferrule	0.25 ... 1.5 mm <sup>2</sup>

**Material Data**

Insulation material	Polyphthalamide (PPA GF)
Flammability class per UL94	V0
Clamping spring material	Chrome nickel spring steel (CrNi)
Contact material	Electrolytic copper (E <sub>cu</sub> )
Contact plating	Tin-plated

**Mechanical Data**

Solder pin arrangement	Over the entire terminal strip (in-line)
Solder pin dimensions	0.3 x 0.8 mm
Plated through-hole diameter (THR)	1 <sup>(+0.1)</sup> mm

**Environmental Requirements**

Limit temperature range	-60 ... +105 °C
-------------------------	-----------------

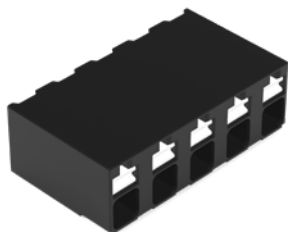
### SMD PCB terminal block ▶ 2086 Series

Push-in CAGE CLAMP® ▶ Actuation type: Push-button ▶ 1.5 mm<sup>2</sup> ▶ Pin spacing: 5 mm / 0.197 inch

▶ Suitable for automated assembly ▶ Color: black

Conductor connection direction to PCB 0°

Conductor connection direction to PCB 90°



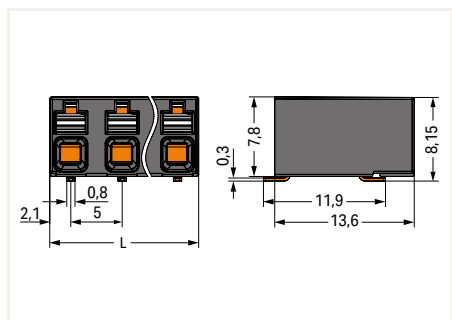
2086-3205/700-000



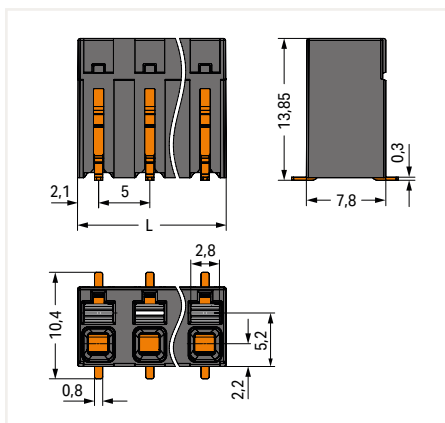
2086-3105/700-000

Pole No.	Tape width	Item number	PU
2	24 mm	2086-3202/700-000/997-604	515
3	32 mm	2086-3203/700-000/997-605	515
4	32 mm	2086-3204/700-000/997-605	515
5	56 mm	2086-3205/700-000/997-607	515
6	56 mm	2086-3206/700-000/997-607	515
7	56 mm	2086-3207/700-000/997-607	515
8	56 mm	2086-3208/700-000/997-607	515

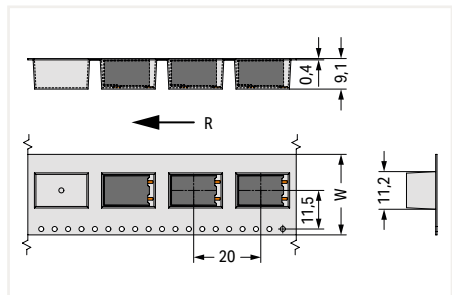
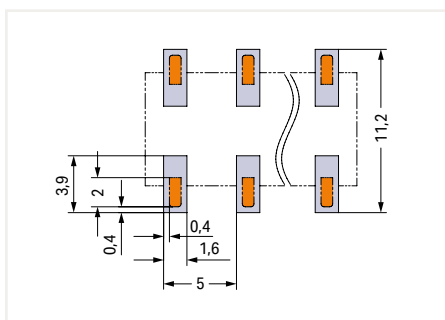
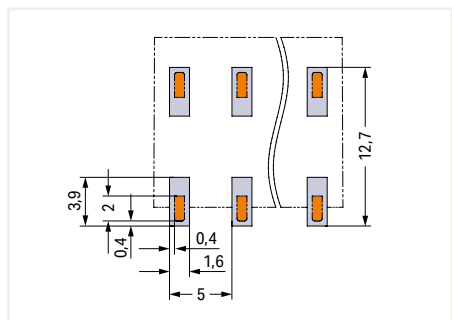
Pole No.	Tape width	Item number	PU
2	24 mm	2086-3102/700-000/997-604	270
3	32 mm	2086-3103/700-000/997-605	270
4	32 mm	2086-3104/700-000/997-605	270
5	56 mm	2086-3105/700-000/997-607	270
6	56 mm	2086-3106/700-000/997-607	270
7	56 mm	2086-3107/700-000/997-607	270
8	56 mm	2086-3108/700-000/997-607	270



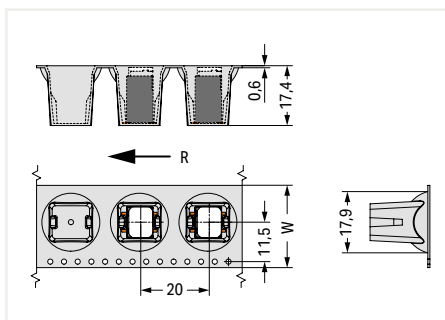
$L = (\text{pole no.} - 1) \times \text{pin spacing} + 4.2 \text{ mm}$



$L = (\text{pole no.} - 1) \times \text{pin spacing} + 4.2 \text{ mm}$



W = Tape width  
R = Feed direction



W = Tape width  
R = Feed direction

PU = Packaging Unit; SPU = Subpackaging Unit; Dimensions in mm

**SMD PCB terminal block ▶ 2086 Series**

Push-in CAGE CLAMP® ▶ Actuation type: Push-button ▶ 1.5 mm<sup>2</sup> ▶ Pin spacing: 3.5 mm / 0.138 inch ▶ Suitable for automated assembly ▶ Color: white

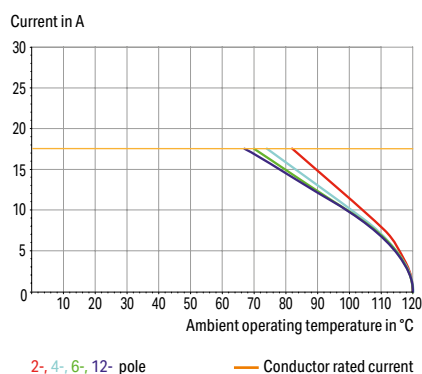
1



- Ideal for compact device connection, panel feedthrough and tight spaces
- Push-in CAGE CLAMP® allows push-in termination of solid and fine-stranded conductors with ferrules from 0.2 to 1.5 mm<sup>2</sup>
- Push-button moves in direction of conductor connection
- Conductor connection and mating direction both parallel and perpendicular to the PCB

**Current-Carrying Capacity Curve**

Pin spacing: 3.5 mm / Conductor cross-section: 1.5 mm<sup>2</sup> \*f-st\*  
Based on: EN 60512-5-2 / Reduction factor: 1

**Electrical Data**

Pin spacing	3.5 mm / 0.138 inch		
Ratings per	IEC/EN 60664-1		
Overvoltage category	III	III	II
Pollution degree	3	2	2
Nominal voltage	160 V	160 V	320 V
Rated surge voltage	2.5 kV	2.5 kV	2.5 kV
Rated current	17.5 A	17.5 A	17.5 A
Approvals per	UL 1059		
Use group	B	C	D
Rated voltage	300 V	300 V	300 V
Rated current	14 A	14 A	14 A
Approvals per	CSA		
Use group	B	C	D
Rated voltage	300 V	-	300 V
Rated current	14 A	-	14 A

**Connection Data**

Connection technology	Push-in CAGE CLAMP®
Strip length	8 ... 9 mm / 0.31 ... 0.35 inch
Solid conductor	0,14 ... 1,5 mm <sup>2</sup> / 28 ... 16 AWG (10 A per UL/CSA)
Fine-stranded conductor	0,14 ... 1,5 mm <sup>2</sup> / 26 ... 14 AWG (14 A per UL/CSA)
Fine-stranded conductor; with insulated ferrule	0.25 ... 0.75 mm <sup>2</sup>
Fine-stranded conductor; with uninsulated ferrule	0.25 ... 1.5 mm <sup>2</sup>

**Material Data**

Insulation material	Polyphthalamide (PPA GF)
Flammability class per UL94	V0
Clamping spring material	Chrome nickel spring steel (CrNi)
Contact material	Electrolytic copper (E <sub>cu</sub> )
Contact plating	Tin-plated

**Mechanical Data**

Solder pin arrangement	Over the entire terminal strip (in-line)
Solder pin dimensions	0.3 x 0.8 mm
Plated through-hole diameter (THR)	1 <sup>(+0.1)</sup> mm

**Environmental Requirements**

Limit temperature range	-60 ... +105 °C
-------------------------	-----------------

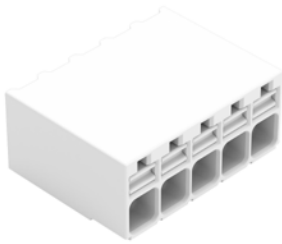
For approvals and corresponding ratings, visit [www.wago.com](http://www.wago.com)

### SMD PCB terminal block ▶ 2086 Series

Push-in CAGE CLAMP® ▶ Actuation type: Push-button ▶ 1.5 mm<sup>2</sup> ▶ Pin spacing: 3.5 mm / 0.138 inch ▶ Suitable for automated assembly ▶ Color: white

Conductor connection direction to PCB 0°

Conductor connection direction to PCB 90°



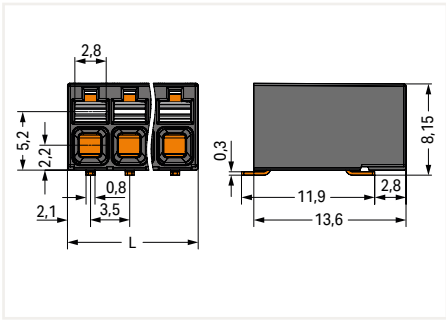
2086-1205/650-000/997-605



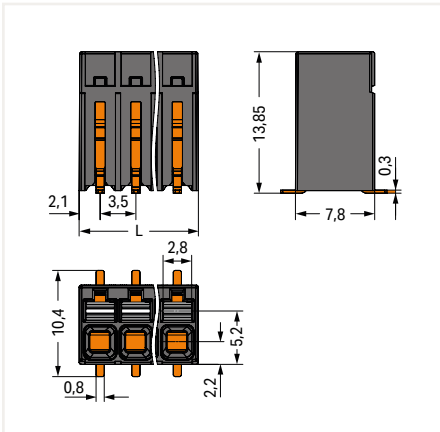
2086-1105/650-000/997-605

Pole No.	Tape width	Item number	PU
2	24 mm	2086-1202/700-650/997-604	515
3	32 mm	2086-1203/700-650/997-605	515
4	32 mm	2086-1204/700-650/997-605	515
5	32 mm	2086-1205/700-650/997-605	515
6	56 mm	2086-1206/700-650/997-607	515
7	56 mm	2086-1207/700-650/997-607	515
8	56 mm	2086-1208/700-650/997-607	515
9	56 mm	2086-1209/700-650/997-607	515
10	56 mm	2086-1210/700-650/997-607	515
11	56 mm	2086-1211/700-650/997-607	515
12	56 mm	2086-1212/700-650/997-607	515

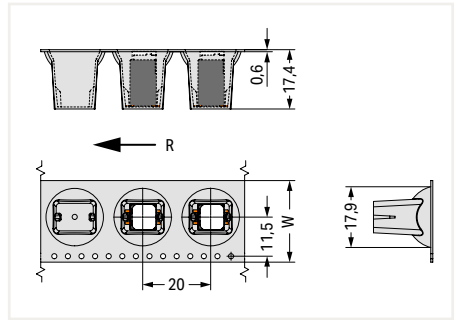
Pole No.	Tape width	Item number	PU
2	24 mm	2086-1102/700-650/997-604	270
3	32 mm	2086-1103/700-650/997-605	270
4	32 mm	2086-1104/700-650/997-605	270
5	32 mm	2086-1105/700-650/997-605	270
6	56 mm	2086-1106/700-650/997-607	270
7	56 mm	2086-1107/700-650/997-607	270
8	56 mm	2086-1108/700-650/997-607	270
9	56 mm	2086-1109/700-650/997-607	270
10	56 mm	2086-1110/700-650/997-607	270
11	56 mm	2086-1111/700-650/997-607	270
12	56 mm	2086-1112/700-650/997-607	270



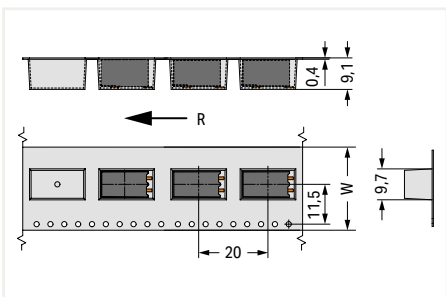
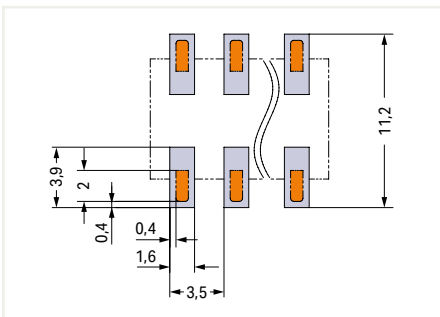
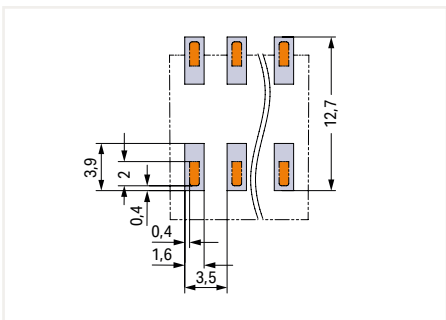
$L = (\text{pole no.} - 1) \times \text{pin spacing} + 4.2 \text{ mm}$



$L = (\text{pole no.} - 1) \times \text{pin spacing} + 4.2 \text{ mm}$



W = Tape width  
R = Feed direction



W = Tape width  
R = Feed direction

PU = Packaging Unit; SPU = Subpackaging Unit; Dimensions in mm

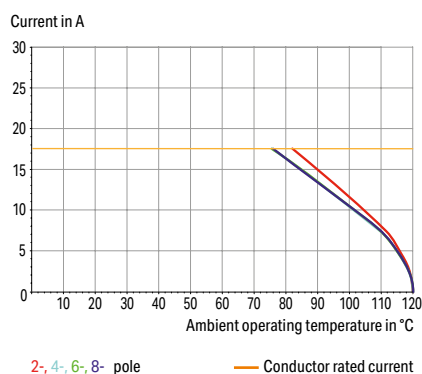
**SMD PCB terminal block ▶ 2086 Series**Push-in CAGE CLAMP® ▶ Actuation type: Push-button ▶ 1.5 mm<sup>2</sup> ▶ Pin spacing: 5 mm / 0.197 inch

▶ Suitable for automated assembly ▶ Color: white

1



- Ideal for compact device connection, panel feedthrough and tight spaces
- Push-in CAGE CLAMP® allows push-in termination of solid and fine-stranded conductors with ferrules from 0.2 to 1.5 mm<sup>2</sup>
- Push-button moves in direction of conductor connection
- Conductor connection and mating direction both parallel and perpendicular to the PCB

**Current-Carrying Capacity Curve**Pin spacing: 5 mm / Conductor cross-section: 1.5 mm<sup>2</sup> "f-st"  
Based on: EN 60512-5-2 / Reduction factor: 1**Electrical Data**

Pin spacing	3.5 mm / 0.138 inch		
Ratings per	IEC/EN 60664-1		
Overvoltage category	III	III	II
Pollution degree	3	2	2
Nominal voltage	160 V	160 V	320 V
Rated surge voltage	2.5 kV	2.5 kV	2.5 kV
Rated current	17.5 A	17.5 A	17.5 A
Approvals per	UL 1059		
Use group	B	C	D
Rated voltage	300 V	300 V	300 V
Rated current	14 A	14 A	14 A
Approvals per	CSA		
Use group	B	C	D
Rated voltage	300 V	-	300 V
Rated current	14 A	-	14 A

**Connection Data**

Connection technology	Push-in CAGE CLAMP®
Strip length	8 ... 9 mm / 0.31 ... 0.35 inch
Solid conductor	0,14 ... 1,5 mm <sup>2</sup> / 28 ... 16 AWG (10 A per UL/CSA)
Fine-stranded conductor	0,14 ... 1,5 mm <sup>2</sup> / 26 ... 14 AWG (14 A per UL/CSA)
Fine-stranded conductor; with insulated ferrule	0.25 ... 0.75 mm <sup>2</sup>
Fine-stranded conductor; with uninsulated ferrule	0.25 ... 1.5 mm <sup>2</sup>

**Material Data**

Insulation material	Polyphthalamide (PPA GF)
Flammability class per UL94	V0
Clamping spring material	Chrome nickel spring steel (CrNi)
Contact material	Electrolytic copper (E <sub>cu</sub> )
Contact plating	Tin-plated

**Mechanical Data**

Solder pin arrangement	Over the entire terminal strip (in-line)
Solder pin dimensions	0.3 x 0.8 mm
Plated through-hole diameter (THR)	1 <sup>(±0.1)</sup> mm

**Environmental Requirements**

Limit temperature range	-60 ... +105 °C
-------------------------	-----------------

For approvals and corresponding ratings, visit [www.wago.com](http://www.wago.com)

### SMD PCB terminal block ▶ 2086 Series

Push-in CAGE CLAMP® ▶ Actuation type: Push-button ▶ 1.5 mm<sup>2</sup> ▶ Pin spacing: 5 mm / 0.197 inch

▶ Suitable for automated assembly ▶ Color: white

Conductor connection direction to PCB 0°

Conductor connection direction to PCB 90°



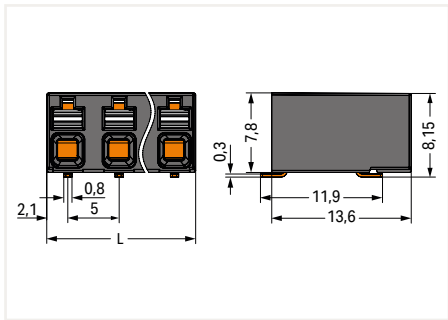
2086-3205/650-000/997-607



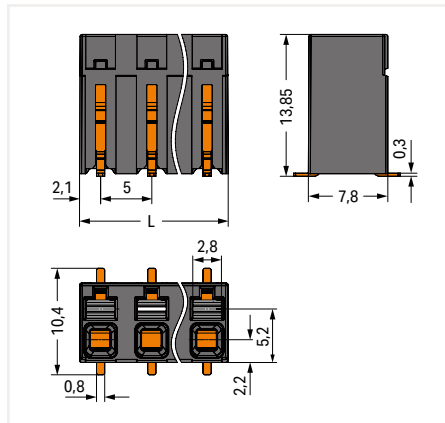
2086-3105/650-000/997-607

Pole No.	Tape width	Item number	PU
2	24 mm	2086-3202/700-650/997-604	515
3	32 mm	2086-3203/700-650/997-605	515
4	32 mm	2086-3204/700-650/997-605	515
5	56 mm	2086-3205/700-650/997-607	515
6	56 mm	2086-3206/700-650/997-607	515
7	56 mm	2086-3207/700-650/997-607	515
8	56 mm	2086-3208/700-650/997-607	515

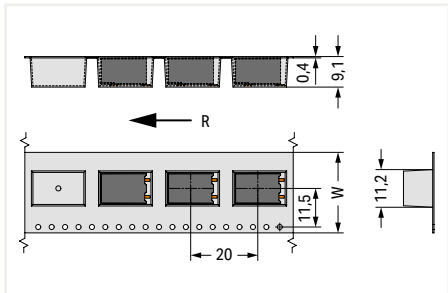
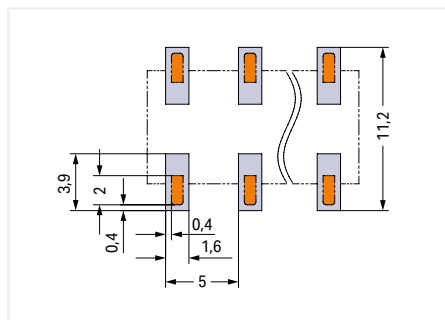
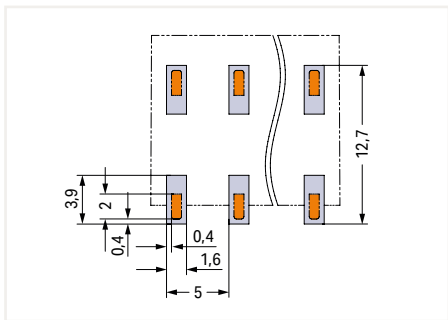
Pole No.	Tape width	Item number	PU
2	24 mm	2086-3102/700-650/997-604	270
3	32 mm	2086-3103/700-650/997-605	270
4	32 mm	2086-3104/700-650/997-605	270
5	56 mm	2086-3105/700-650/997-607	270
6	56 mm	2086-3106/700-650/997-607	270
7	56 mm	2086-3107/700-650/997-607	270
8	56 mm	2086-3108/700-650/997-607	270



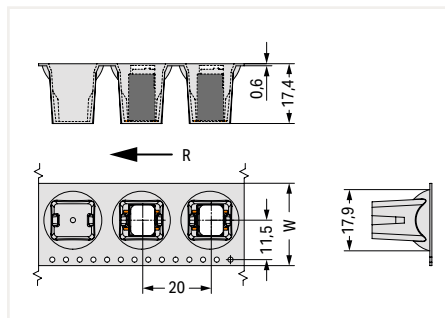
$L = (\text{pole no.} - 1) \times \text{pin spacing} + 4.2 \text{ mm}$



$L = (\text{pole no.} - 1) \times \text{pin spacing} + 4.2 \text{ mm}$



W = Tape width  
R = Feed direction



W = Tape width  
R = Feed direction

PU = Packaging Unit; SPU = Subpackaging Unit; Dimensions in mm

**PCB terminal block ▶ 2601 Series**Push-in CAGE CLAMP® ▶ Actuation type: Lever ▶ 1.5 mm<sup>2</sup> ▶ Pin spacing: 3.5 mm / 0.138 inch ▶

Color: gray

1



- PCB terminal blocks with levers and Push-in CAGE CLAMP® connection
- Push-in termination of solid and ferruled conductors
- Intuitive and tool-free operation
- Several clamping units can be held open simultaneously – convenient for terminating multi-core cables
- Testing can be performed both parallel and perpendicular to conductor entry

**Electrical Data**

<b>Pin spacing</b>	3.5 mm / 0.138 inch		
Ratings per	IEC/EN 60664-1		
Overvoltage category	III	III	II
Pollution degree	3	2	2
Nominal voltage	160 V	160 V	320 V
Rated surge voltage	2,5 kV	2,5 kV	2,5 kV
Rated current	17,5 A	17,5 A	17,5 A

**Connection Data**

Connection technology	Push-in CAGE CLAMP®
Strip length	8 ... 9 mm / 0.31 ... 0.35 inch
Solid conductor	0,14 ... 1,5 mm <sup>2</sup> / 26 ... 16 AWG
Note (conductor cross-section)	For conductors (26 AWG) that are not rigid enough, the clamping unit must be opened the lever.
Fine-stranded conductor	0,2 ... 1,5 mm <sup>2</sup> / 24 ... 16 AWG
Fine-stranded conductor; with insulated ferrule	0.25 ... 0.75 mm <sup>2</sup>
Fine-stranded conductor; with uninsulated ferrule	0.25 ... 1.5 mm <sup>2</sup>

**Material Data**

Material group	I
Insulation material	Polyamide (PA66)
Flammability class per UL94	V0
Clamping spring material	Chrome nickel spring steel (CrNi)
Contact material	Electrolytic copper (E <sub>cu</sub> )
Contact plating	Tin-plated

**Mechanical Data**

Solder pin arrangement	Over the entire terminal strip (in-line)
Solder pin length	3.6 mm
Solder pin dimensions	1 x 0.5 mm
Drilled hole diameter with tolerance	1.2 <sup>(+0.1)</sup> mm

**Environmental Requirements**

Limit temperature range	-60 ... +105 °C
-------------------------	-----------------

UL/CSA approval pending

For approvals and corresponding ratings, visit [www.wago.com](http://www.wago.com)



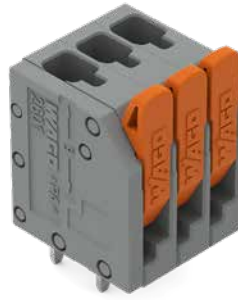
## PCB terminal block ▶ 2601 Series

Push-in CAGE CLAMP® ▶ Actuation type: Lever ▶ 1.5 mm<sup>2</sup> ▶ Pin spacing: 3.5 mm / 0.138 inch ▶ Color: gray

Conductor connection direction to PCB: 0°

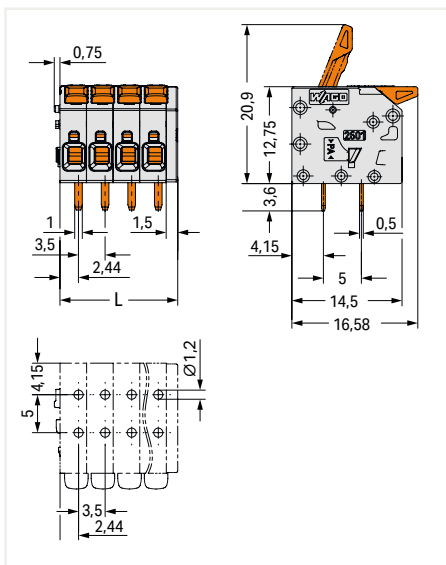


Conductor connection direction to PCB: 90°

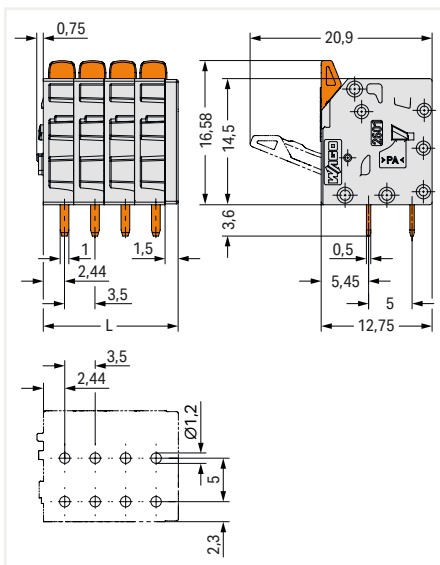


Pole No.	Item No.	PU
2	2601-1102	120
3	2601-1103	70
4	2601-1104	50
5	2601-1105	40
6	2601-1106	30
7	2601-1107	20
8	2601-1108	20
9	2601-1109	20
10	2601-1110	10
11	2601-1111	10
12	2601-1112	10

Pole No.	Item No.	PU
2	2601-3102	220
3	2601-3103	160
4	2601-3104	120
5	2601-3105	100
6	2601-3106	80
7	2601-3107	70
8	2601-3108	60
9	2601-3109	60
10	2601-3110	50
11	2601-3111	50
12	2601-3112	40



L = (pole no. - 1) x pin spacing + 5 mm



L = (pole no. - 1) x pin spacing + 5 mm

PU = Packaging Unit; SPU = Subpackaging Unit; Dimensions in mm

Variants:

- Other pole numbers
- Direct marking
- Other colors
- Other versions (or variants) can be requested from WAGO Sales or configured at <https://configurator.wago.com/>

**1-conductor female connector ▶ MCS MINI ▶ 2734 Series**

Pin spacing: 3.5 mm / 0.138 inch ▶ Actuation type: Lever ▶ Push-in CAGE CLAMP® ▶ Conductor entry direction to mating direction: 0° ▶ Color: light gray

1



- Intuitive and tool-free lever actuation
- Universal connection for all conductor types
- Push-in termination of solid or ferruled conductors
- Test slot 90° to conductor entry
- 100% protected against mismatching
- Coding option available

**Electrical Data**

Ratings per	IEC/EN 60664-1		
Overvoltage category	III	III	II
Pollution degree	3	2	2
Nominal voltage	160 V	160 V	320 V
Rated surge voltage	2.5 kV	2.5 kV	2.5 kV
Rated current	10 A	10 A	10 A
Approvals per	UL 1059		
Use group	B	C	D
Rated voltage	300 V	-	300 V
Rated current	10 A	-	10 A
Approvals per	CSA		
Use group	B	C	D
Rated voltage	300 V	-	300 V
Rated current	10 A	-	10 A

**Connection Data**

Connection technology	Push-in CAGE CLAMP®
Strip length	9 ... 10 mm / 0.35 ... 0.39 inch
Solid conductor	0.14 ... 1.5 mm <sup>2</sup> / 26 ... 14 AWG
Solid conductor; push-in termination	0.34 ... 1.5 mm <sup>2</sup> / 22 ... 14 AWG
Fine-stranded conductor	0.14 ... 1.5 mm <sup>2</sup> / 26 ... 14 AWG
Fine-stranded conductor; with insulated ferrule	0.14 ... 0.75 mm <sup>2</sup>
Fine-stranded conductor; with uninsulated ferrule	0.14 ... 1 mm <sup>2</sup>

**Material Data**

Material group	I
Insulation material	Polyamide (PA66)
Flammability class per UL94	V0
Clamping spring material	Chrome nickel spring steel (CrNi)
Contact material	Copper alloy
Contact plating	Tin-plated

**Environmental Requirements**

Limit temperature range	-60 ... +100 °C
-------------------------	-----------------

The MCS – MULTI CONNECTION SYSTEM includes connectors without breaking capacity in accordance with DIN EN 61984. When used as intended, these connectors must not be connected/disconnected when live or under load. The circuit design should ensure header pins, which can be touched, are not live when unmated.

For approvals and corresponding ratings, visit [www.wago.com](http://www.wago.com)

### 1-conductor female connector ▶ MCS MINI ▶ 2734 Series

Pin spacing: 3.5 mm / 0.138 inch ▶ Actuation type: Lever ▶ Push-in CAGE CLAMP® ▶ Conductor entry direction to mating direction: 0° ▶ Color: light gray

Locking of plug-in connection: Without

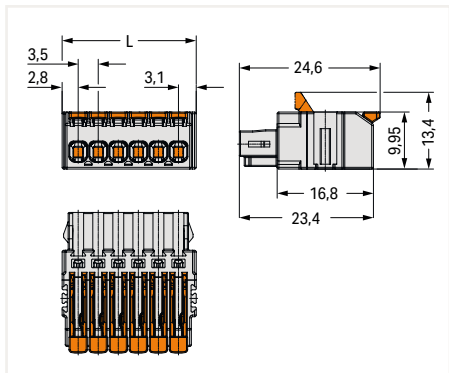
Locking of plug-in connection: Center locking lever



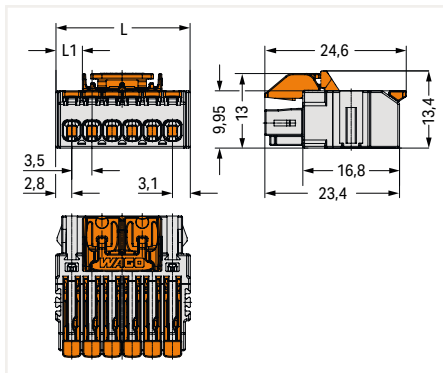
1

Pole No.	Item No.	PU
2	2734-1102/327-000	200
3	2734-1103/327-000	200
4	2734-1104/327-000	100
5	2734-1105/327-000	100
6	2734-1106/327-000	100
7	2734-1107/327-000	100
8	2734-1108/327-000	50
10	2734-1110/327-000	50
12	2734-1112/327-000	50
16	2734-1116/327-000	25

Pole No.	Item No.	PU
4	2734-1104/328-000	50
5	2734-1105/328-000	50
6	2734-1106/328-000	50
7	2734-1107/328-000	50
8	2734-1108/328-000	50
10	2734-1110/328-000	50
12	2734-1112/328-000	50
16	2734-1116/328-000	25



L = (pol no. x pin spacing) + 2.4 mm



L = (pol no. x pin spacing) + 2.4 mm

- pol no. 4: L1 = 1.15 mm
- pol no. 5 + 6: L1 = 4.65 mm
- pol no. 7 + 8: L1 = 8.15 mm
- pol no. 9 + 10: L1 = 11.65 mm
- pol no. 11 + 12: L1 = 15.15 mm
- pol no. 13 + 14: L1 = 18.65 mm
- pol no. 15 + 16: L1 = 22.15 mm

Accessories; for all products on this page



Jumper; Pole No.: 2		
Color	Item No.	PU
○ light gray	2734-402	25

Coding pin carrier with 5 coding pins		
Color	Item No.	PU
● orange	2734-505	25

PU = Packaging Unit; SPU = Subpackaging Unit; Dimensions in mm

Variants:

- Other pole numbers
- Other versions (or variants) can be requested from WAGO Sales or configured at <https://configurator.wago.com/>

# 1-conductor female plug ▶ MCS MAXI 6 ▶ 831 Series

Pin spacing: 7.62 mm / 0.3 inch ▶ Actuation type: Lever ▶ Push-in CAGE CLAMP® ▶ Color: light gray

1



- Intuitive and tool-free lever actuation
- Universal connection for all conductor types
- Push-in terminations of solid and ferruled conductors
- Test slot 0° and 90° to conductor entry
- 100 % protected against mismatching
- Coding via coding fingers

## Electrical Data

Ratings per	IEC/EN 60664-1		
Overvoltage category	III	III	II
Pollution degree	3	2	2
Rated voltage	800 V	1000 V	1000 V
Rated impulse voltage	8 kV	8 kV	8 kV
Rated current	41 A	41 A	41 A
Approbations per	UL 1059		
Use group	B	C	D
Rated voltage	-	600 V	600 V
Rated current	-	35 A	5 A
Approbations per	CSA		
Use group	B	C	D
Rated voltage	-	600 V	600 V
Rated current	-	35 A	5 A

## Connection Data

Connection technology	Push-in CAGE CLAMP®
Strip length	13 ... 15 mm / 0.51 ... 0.59 inch
Solid conductor	0.5 ... 10 mm <sup>2</sup> / 20 ... 8 AWG
Fine-stranded conductor	0.5 ... 10 mm <sup>2</sup> / 20 ... 8 AWG
Fine-stranded conductor; with insulated ferrule	0.5 ... 6 mm <sup>2</sup>
Fine-stranded conductor; with uninsulated ferrule	0.5 ... 6 mm <sup>2</sup>

## Material Data

Material group	I
Insulation material	Polyamide (PA66)
Flammability class per UL94	V0
Clamping spring material	Chrome nickel spring steel (CrNi)
Contact material	Electrolytic copper (E <sub>cu</sub> )
Contact plating	tin-plated

## Environmental Requirements

Limit temperature range	-60 ... +105 °C
-------------------------	-----------------

The MCS – MULTI CONNECTION SYSTEM includes connectors without breaking capacity in accordance with DIN EN 61984. When used as intended, these connectors must not be connected/disconnected when live or under load. The circuit design should ensure header pins, which can be touched, are not live when unmated.

For approvals and corresponding ratings, visit [www.wago.com](http://www.wago.com)

# 1-conductor female plug ▶ MCS MAXI 6 ▶ 831 Series

Pin spacing: 7.62 mm / 0.3 inch ▶ Actuation type: Lever ▶ Push-in CAGE CLAMP® ▶ Color: light gray

Locking of plug-in connection: frontal locking lever

Locking of plug-in connection: lateral locking lever

Locking of plug-in connection: central locking lever



831-1104/320-000



831-1104/038-000

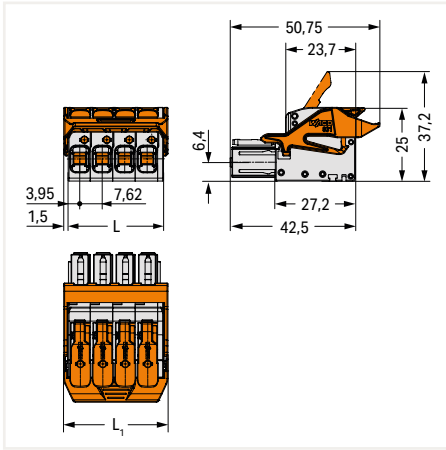


831-1104/322-000

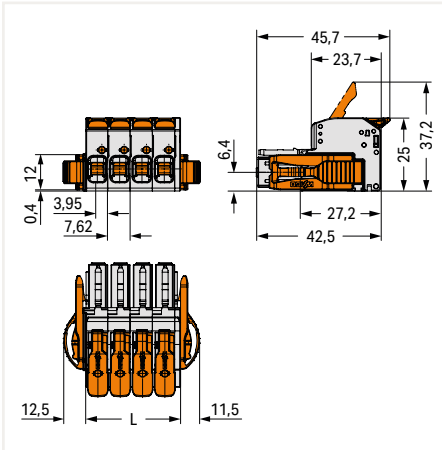
Pole No.	Item number	PU
3	831-1103/320-000	24
4	831-1104/320-000	12
5	831-1105/320-000	12

Pole No.	Item number	PU
2	831-1102/038-000	24
3	831-1103/038-000	24
4	831-1104/038-000	12
5	831-1105/038-000	12
6	831-1106/038-000	12
7	831-1107/038-000	12
8	831-1108/038-000	12
9	831-1109/038-000	12

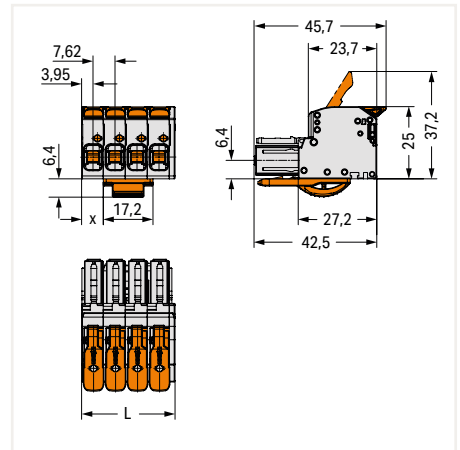
Pole No.	Item number	PU
2	831-1102/322-000	24
3	831-1103/322-000	24
4	831-1104/322-000	12
5	831-1105/322-000	12
6	831-1106/322-000	12
7	831-1107/322-000	6
8	831-1108/322-000	6
9	831-1109/322-000	6



L = pole no. x pin spacing + 1,9 mm  
L1 = L + 3 mm



L = pole no. x pin spacing + 1.9 mm



L = pole no. x pin spacing + 1.9 mm  
Pole No. 2: x = 0.1 mm  
Pole No. 3: x = 7.5 mm  
Pole No. 4: x = 7.5 mm  
Pole No. 5: x = 15.12 mm  
Pole No. 6: x = 15.12 mm  
Pole No. 7: x = 22.74 mm  
Pole No. 8: x = 22.74 mm  
Pole No. 9: x = 30.36 mm

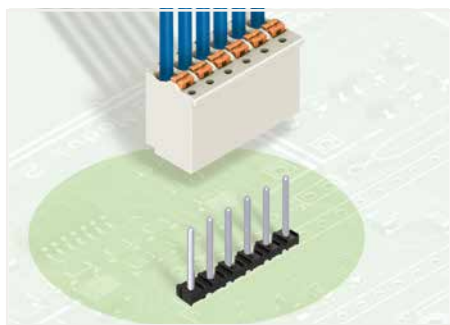
PU = Packaging Unit; SPU = Subpackaging Unit; Dimensions in mm

Other versions (or variants) can be requested from WAGO Sales or configured at <https://configurator.wago.com/>.

- Other pole numbers

## THT Solder pin strip ▶ *picoMAX*<sup>®</sup> 3.5 ▶ 2091 Series

Pin spacing: 3.5 mm (0.138 inch) ▶ Color: black



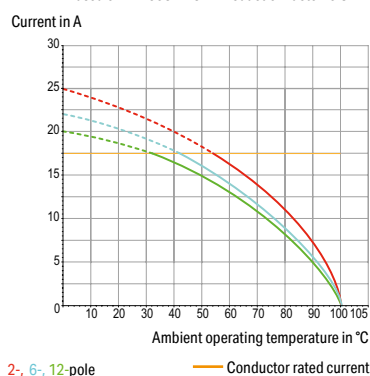
- Horizontal or vertical PCB mounting via straight or angled solder pin strips
- Assembly of female connectors without loss of poles, allowing different functions to be divided within solder pin strip

4

### Derating Curve

1-conductor female connector (2091-1122) with  
THT-solder pin strip (2091-1702)

Pin spacing: 3.5 mm / Conductor cross-section 1.5 mm<sup>2</sup> "f-st"  
Based on: EN 60512-5-2 / Reduction factor: 0.8



### Electrical Data

Ratings per	IEC/EN 60664-1		
Overvoltage category	III	III	II
Pollution degree	3	2	2
Rated voltage	160 V	160 V	320 V
Rated impulse voltage	2.5 kV	2.5 kV	2.5 kV
Rated current	10 A	10 A	10 A

### Material Data

Material group	I
Insulating material	Glass-fiber-reinforced polyphthalamide (PPA GF)
Flammability class per UL94	V0
Contact material	Electrolytic copper (Ecu)
Contact plating	Tin-plated

### Mechanical Data

Solder pin length	3.6 mm
Solder pin diameter	1 mm
Drilled hole diameter (tolerance)	1.2 <sup>(+0.1)</sup> mm

### Environmental Requirements

Limit temperature range	-60 ... +100 °C
-------------------------	-----------------

The *picoMAX*<sup>®</sup> Pluggable Connection System includes connectors without breaking capacity in accordance with DIN EN 61984. When used as intended, these connectors shall not be connected/disconnected when live or under load. The circuit design should ensure header pins, which can be touched, are not live when unmated.

# THT Solder pin strip ▶ *picoMAX*® 3.5 ▶ 2091 Series

Pin spacing: 3.5 mm (0.138 inch) ▶ Color: black

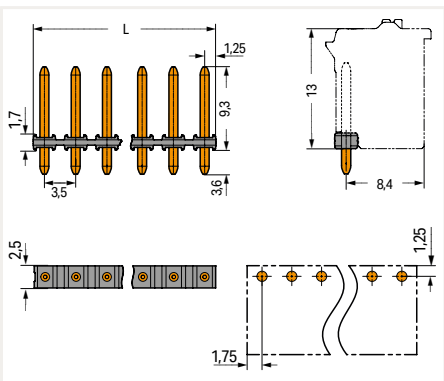
Mating direction to the PCB: 90°

Mating direction to the PCB: 0°

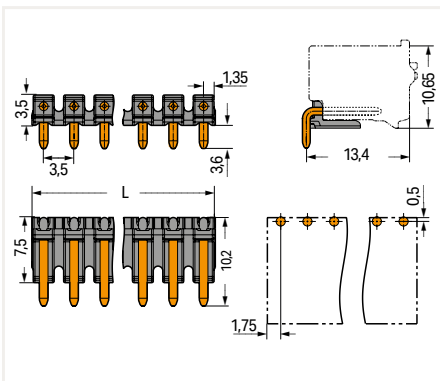


Pole No.	Item No.	PU
2	2091-1702	500
3	2091-1703	500
4	2091-1704	500
5	2091-1705	500
6	2091-1706	500
7	2091-1707	500
8	2091-1708	500
10	2091-1710	400
12	2091-1712	400

Pole No.	Item No.	PU
2	2091-1722	400
3	2091-1723	400
4	2091-1724	400
5	2091-1725	400
6	2091-1726	400
7	2091-1727	400
8	2091-1728	400
10	2091-1730	300
12	2091-1732	300



$L = (\text{pole no.} - 1) \times \text{pin spacing} + 2.5 \text{ mm}$



$L = (\text{pole no.} - 1) \times \text{pin spacing} + 2.7 \text{ mm}$

4

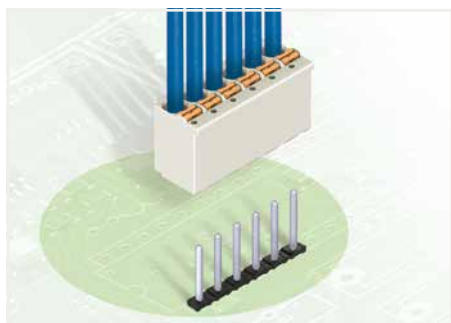
PU = Packaging Unit; SPU = Subpackaging Unit; Dimensions in mm

Other variants can be requested via the WAGO sales department or, if necessary, configured at <https://configurator.wago.com/>:

- Other pole numbers

## THT Solder pin strip ▶ *picoMAX*<sup>®</sup> 5.0 ▶ 2092 Series

Pin spacing: 5 mm (0.197 inch) ▶ Color: black

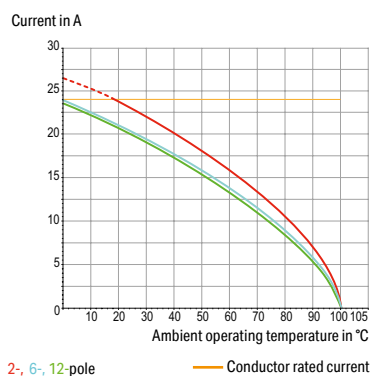


- Horizontal or vertical PCB mounting via straight or angled solder pin strips
- Assembly of female connectors without loss of poles, allowing different functions to be divided within solder pin strip

4

### Derating Curve

1-conductor female connector (2092-1122) with  
THT-solder pin strip (2092-1702)  
Pin spacing: 5 mm / Conductor cross-section 2.5 mm<sup>2</sup> "f-st"  
Based on: EN 60512-5-2 / Reduction factor: 0.8



### Electrical Data

Ratings per	IEC/EN 60664-1		
Overvoltage category	III	III	II
Pollution degree	3	2	2
Rated voltage	250 V	320 V	630 V
Rated impulse voltage	4 kV	4 kV	4 kV
Rated current	16 A	16 A	16 A

### Material Data

Material group	I
Insulating material	Glass-fiber-reinforced polyphthalamide (PPA GF)
Flammability class per UL94	V0
Contact material	Electrolytic copper (Ecu)
Contact plating	Tin-plated

### Mechanical Data

Solder pin length	3.6 mm
Solder pin diameter	1.4 mm
Drilled hole diameter (tolerance)	1.6 <sup>(+0.1)</sup> mm

### Environmental Requirements

Limit temperature range	-60 ... +100 °C
-------------------------	-----------------

The *picoMAX*<sup>®</sup> Pluggable Connection System includes connectors without breaking capacity in accordance with DIN EN 61984. When used as intended, these connectors shall not be connected/disconnected when live or under load. The circuit design should ensure header pins, which can be touched, are not live when unmated.



# THT Solder pin strip ▶ *picoMAX*® 5.0 ▶ 2092 Series

Pin spacing: 5 mm (0.197 inch) ▶ Color: black

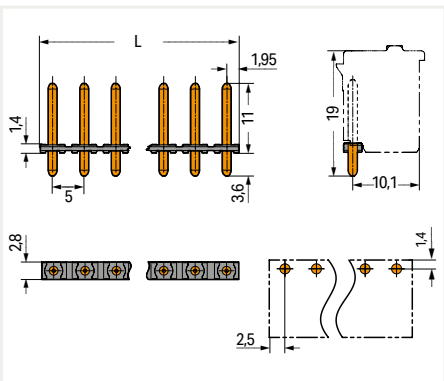
Mating direction to the PCB: 90°

Mating direction to the PCB: 0°

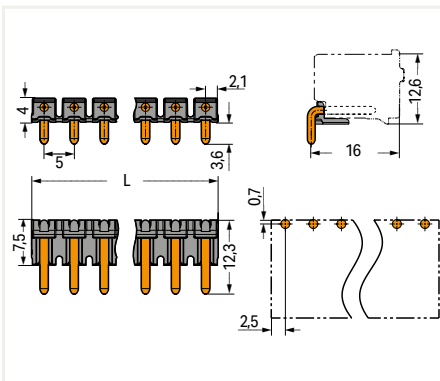


Pole No.	Item No.	PU
2	2092-1702	400
3	2092-1703	400
4	2092-1704	400
5	2092-1705	400
6	2092-1706	400
7	2092-1707	400
8	2092-1708	400
9	2092-1709	300
10	2092-1710	300
12	2092-1712	300

Pole No.	Item No.	PU
2	2092-1722	300
3	2092-1723	300
4	2092-1724	300
5	2092-1725	300
6	2092-1726	300
7	2092-1727	300
8	2092-1728	300
9	2092-1729	300
10	2092-1730	200
12	2092-1732	200



$L = (\text{pole no.} - 1) \times \text{pin spacing} + 3.9 \text{ mm}$



$L = (\text{pole no.} - 1) \times \text{pin spacing} + 4.2 \text{ mm}$

4

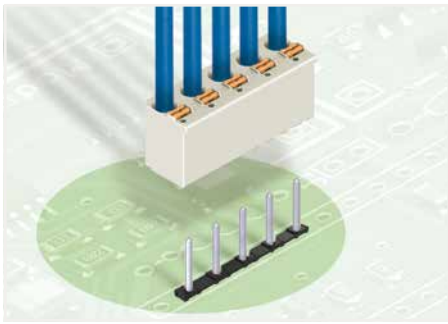
PU = Packaging Unit; SPU = Subpackaging Unit; Dimensions in mm

Other variants can be requested via the WAGO sales department or, if necessary, configured at <https://configurator.wago.com/>:

- Other pole numbers

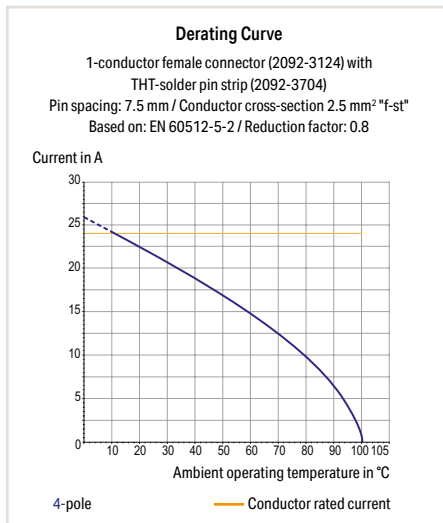
## THT Solder pin strip ▶ *picoMAX*<sup>®</sup> 7.5 ▶ 2092 Series

Pin spacing: 7.5 mm (0.295 inch) ▶ Color: black



- Horizontal or vertical PCB mounting via straight or angled solder pin strips
- Assembly of female connectors without loss of poles, allowing different functions to be divided within solder pin strip

4



### Electrical Data

Ratings per	IEC/EN 60664-1		
Overvoltage category	III	III	II
Pollution degree	3	2	2
Rated voltage	400 V	630 V	1000 V
Rated impulse voltage	6 kV	6 kV	6 kV
Rated current	16 A	16 A	16 A

### Material Data

Material group	I
Insulating material	Glass-fiber-reinforced polyphthalamide (PPA GF)
Flammability class per UL94	V0
Contact material	Electrolytic copper (Ecu)
Contact plating	Tin-plated

### Mechanical Data

Solder pin length	3.6 mm
Solder pin diameter	1.4 mm
Drilled hole diameter (tolerance)	1.6 <sup>(+0.1)</sup> mm

### Environmental Requirements

Limit temperature range	-60 ... +100 °C
-------------------------	-----------------

The *picoMAX*<sup>®</sup> Pluggable Connection System includes connectors without breaking capacity in accordance with DIN EN 61984. When used as intended, these connectors shall not be connected/disconnected when live or under load. The circuit design should ensure header pins, which can be touched, are not live when unmated.

# THT Solder pin strip ▶ *picoMAX*® 7.5 ▶ 2092 Series

Pin spacing: 7.5 mm (0.295 inch) ▶ Color: black

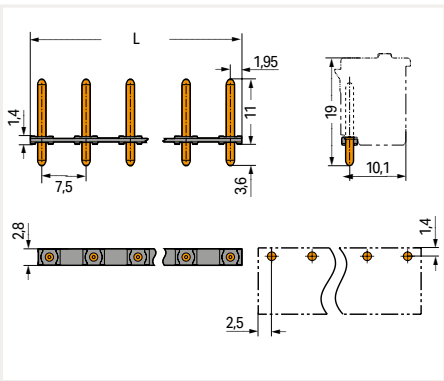
Mating direction to the PCB: 90°

Mating direction to the PCB: 0°

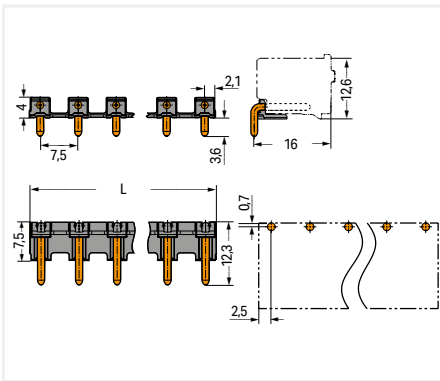


Pole No.	Item No.	PU
2	2092-3702	400
3	2092-3703	400
4	2092-3704	400
5	2092-3705	400

Pole No.	Item No.	PU
2	2092-3722	300
3	2092-3723	300
4	2092-3724	300
5	2092-3725	300



L = (pole no. - 1) x pin spacing + 3.9 mm



L = (pole no. - 1) x pin spacing + 4.2 mm

4

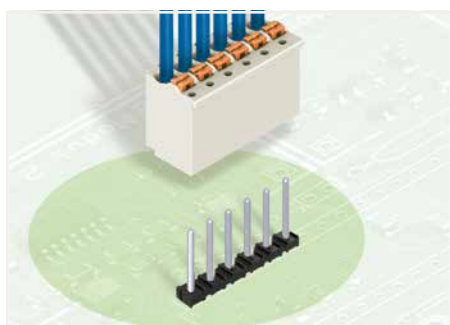
PU = Packaging Unit; SPU = Subpackaging Unit; Dimensions in mm

Other variants can be requested via the WAGO sales department or, if necessary, configured at <https://configurator.wago.com/>:

- Other pole numbers

## THR Solder pin strip ▶ *picoMAX*® 3.5 ▶ 2091 Series

Pin spacing: 3.5 mm (0.138 inch) ▶ Color: black



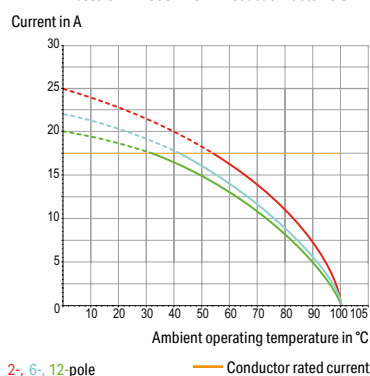
- Horizontal or vertical PCB mounting via straight or angled solder pin strips
- Assembly of female connectors without loss of poles, allowing different functions to be divided within solder pin strip

4

### Derating Curve

1-conductor female connector (2091-1122) with  
THR-solder pin strip (2091-1702/200-000)

Pin spacing: 3.5 mm / Conductor cross-section 1.5 mm<sup>2</sup> "f-st"  
Based on: EN 60512-5-2 / Reduction factor: 0.8



### Electrical Data

Ratings per	IEC/EN 60664-1		
Overvoltage category	III	III	II
Pollution degree	3	2	2
Rated voltage	160 V	160 V	320 V
Rated impulse voltage	2.5 kV	2.5 kV	2.5 kV
Rated current	10 A	10 A	10 A

### Material Data

Material group	I
Insulating material	Glass-fiber-reinforced polyphthalamide (PPA GF)
Flammability class per UL94	V0
Contact material	Electrolytic copper (Ecu)
Contact plating	Tin-plated

### Mechanical Data

Solder pin length	2.4 mm
Solder pin diameter	1 mm
Plated through-hole diameter (THR)	1.2 <sup>(±0.1)</sup> mm

### Environmental Requirements

Limit temperature range	-60 ... +100 °C
-------------------------	-----------------

The *picoMAX*® Pluggable Connection System includes connectors without breaking capacity in accordance with DIN EN 61984. When used as intended, these connectors shall not be connected/disconnected when live or under load. The circuit design should ensure header pins, which can be touched, are not live when unmated.

# THR Solder pin strip ▶ *picoMAX*® 3.5 ▶ 2091 Series

Pin spacing: 3.5 mm (0.138 inch) ▶ Color: black

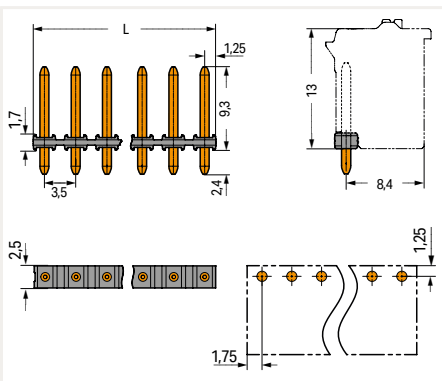
Mating direction to the PCB: 90°

Mating direction to the PCB: 0°

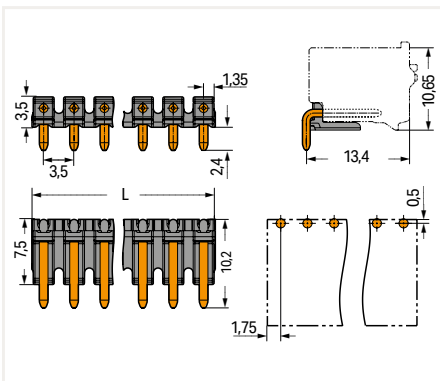


Pole No.	Item No.	PU
2	2091-1702/200-000	500
3	2091-1703/200-000	500
4	2091-1704/200-000	500
5	2091-1705/200-000	500
6	2091-1706/200-000	500
7	2091-1707/200-000	500
8	2091-1708/200-000	500
10	2091-1710/200-000	400
12	2091-1712/200-000	400

Pole No.	Item No.	PU
2	2091-1722/200-000	400
3	2091-1723/200-000	400
4	2091-1724/200-000	400
5	2091-1725/200-000	400
6	2091-1726/200-000	400
7	2091-1727/200-000	400
8	2091-1728/200-000	400
10	2091-1730/200-000	300
12	2091-1732/200-000	300



$L = (\text{pole no.} - 1) \times \text{pin spacing} + 2.5 \text{ mm}$



$L = (\text{pole no.} - 1) \times \text{pin spacing} + 2.7 \text{ mm}$

4

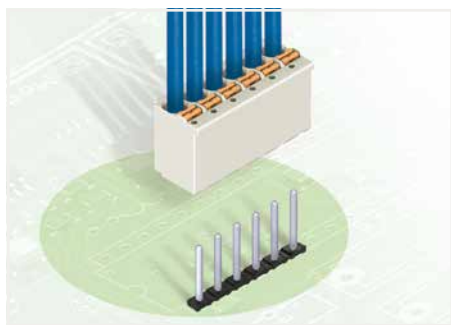
PU = Packaging Unit; SPU = Subpackaging Unit; Dimensions in mm

Other variants can be requested via the WAGO sales department or, if necessary, configured at <https://configurator.wago.com/>:

- Other pole numbers

**THR Solder pin strip ▶ *picoMAX*<sup>®</sup> 5.0 ▶ 2092 Series**

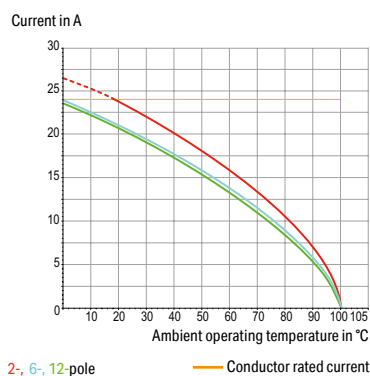
Pin spacing: 5 mm (0.197 inch) ▶ Color: black



- Horizontal or vertical PCB mounting via straight or angled solder pin strips
- Assembly of female connectors without loss of poles, allowing different functions to be divided within solder pin strip

**Derating Curve**

1-conductor female connector (2092-1122) with  
THR-solder pin strip (2092-1702/200-000)  
Pin spacing: 5 mm / Conductor cross-section 2.5 mm<sup>2</sup> "f-st"  
Based on: EN 60512-5-2 / Reduction factor: 0.8

**Electrical Data**

Ratings per	IEC/EN 60664-1		
Overvoltage category	III	III	II
Pollution degree	3	2	2
Rated voltage	250 V	320 V	630 V
Rated impulse voltage	4 kV	4 kV	4 kV
Rated current	16 A	16 A	16 A

**Material Data**

Material group	I
Insulating material	Glass-fiber-reinforced polyphthalamide (PPA GF)
Flammability class per UL94	V0
Contact material	Electrolytic copper (Ecu)
Contact plating	Tin-plated

**Mechanical Data**

Solder pin length	2.4 mm
Solder pin diameter	1.4 mm
Plated through-hole diameter (THR)	1.6 <sup>(+0.1)</sup> mm

**Environmental Requirements**

Limit temperature range	-60 ... +100 °C
-------------------------	-----------------

The *picoMAX*<sup>®</sup> Pluggable Connection System includes connectors without breaking capacity in accordance with DIN EN 61984. When used as intended, these connectors shall not be connected/disconnected when live or under load. The circuit design should ensure header pins, which can be touched, are not live when unmated.

# THR Solder pin strip ▶ *picoMAX*® 5.0 ▶ 2092 Series

Pin spacing: 5 mm (0.197 inch) ▶ Color: black

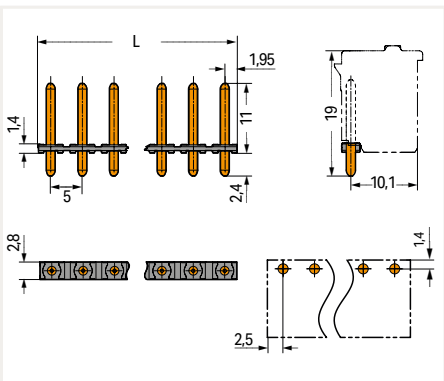
Mating direction to the PCB: 90°

Mating direction to the PCB: 0°

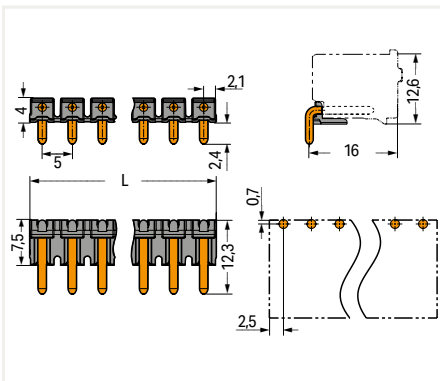


Pole No.	Item No.	PU
2	2092-1702/200-000	400
3	2092-1703/200-000	400
4	2092-1704/200-000	400
5	2092-1705/200-000	400
6	2092-1706/200-000	400
7	2092-1707/200-000	400
8	2092-1708/200-000	400
9	2092-1709/200-000	300
10	2092-1710/200-000	300
12	2092-1712/200-000	300

Pole No.	Item No.	PU
2	2092-1722/200-000	300
3	2092-1723/200-000	300
4	2092-1724/200-000	300
5	2092-1725/200-000	300
6	2092-1726/200-000	300
7	2092-1727/200-000	300
8	2092-1728/200-000	300
9	2092-1729/200-000	300
10	2092-1730/200-000	200
12	2092-1732/200-000	200



L = (pole no. - 1) x pin spacing + 3.9 mm



L = (pole no. - 1) x pin spacing + 4.2 mm

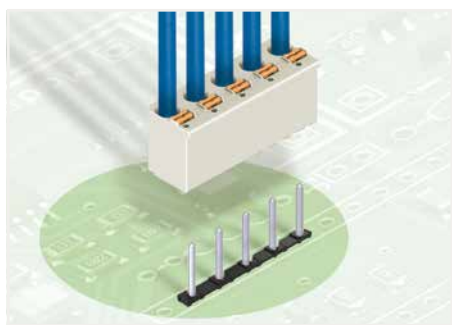
PU = Packaging Unit; SPU = Subpackaging Unit; Dimensions in mm

Other variants can be requested via the WAGO sales department or, if necessary, configured at <https://configurator.wago.com/>:

- Other pole numbers

## THR Solder pin strip ▶ *picoMAX*<sup>®</sup> 7.5 ▶ 2092 Series

Pin spacing: 7.5 mm (0.295 inch) ▶ Color: black

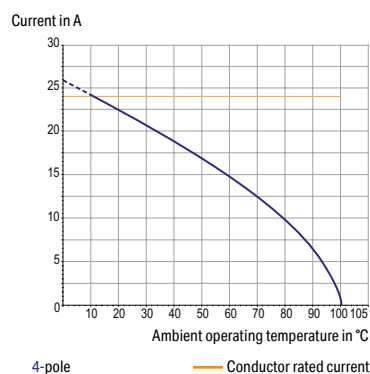


- Horizontal or vertical PCB mounting via straight or angled solder pin strips
- Assembly of female connectors without loss of poles, allowing different functions to be divided within solder pin strip

4

### Derating Curve

1-conductor female connector (2092-3124) with  
THR-solder pin strip (2092-3704/200-000)  
Pin spacing: 7.5 mm / Conductor cross-section 2.5 mm<sup>2</sup> "f-st"  
Based on: EN 60512-5-2 / Reduction factor: 0.8



### Electrical Data

Ratings per	IEC/EN 60664-1		
Overvoltage category	III	III	II
Pollution degree	3	2	2
Rated voltage	400 V	630 V	1000 V
Rated impulse voltage	6 kV	6 kV	6 kV
Rated current	16 A	16 A	16 A

### Material Data

Material group	I
Insulating material	Glass-fiber-reinforced polyphthalamide (PPA GF)
Flammability class per UL94	V0
Contact material	Electrolytic copper (Ecu)
Contact plating	Tin-plated

### Mechanical Data

Solder pin length	2.4 mm
Solder pin diameter	1.4 mm
Plated through-hole diameter (THR)	1.6 <sup>(+0.1)</sup> mm

### Environmental Requirements

Limit temperature range	-60 ... +100 °C
-------------------------	-----------------

The *picoMAX*<sup>®</sup> Pluggable Connection System includes connectors without breaking capacity in accordance with DIN EN 61984. When used as intended, these connectors shall not be connected/disconnected when live or under load. The circuit design should ensure header pins, which can be touched, are not live when unmated.



# THR Solder pin strip ▶ *picoMAX*® 7.5 ▶ 2092 Series

Pin spacing: 7.5 mm (0.295 inch) ▶ Color: black

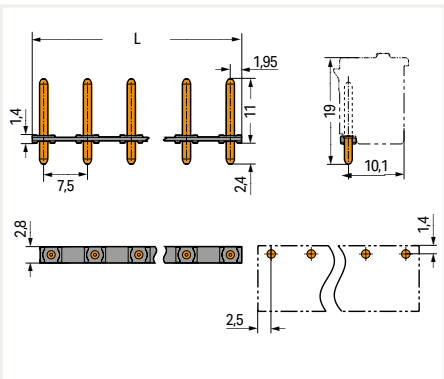
Mating direction to the PCB: 90°

Mating direction to the PCB: 0°

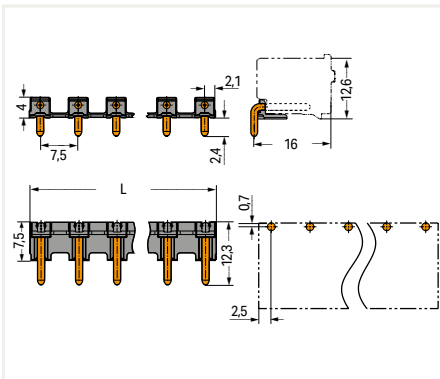


Pole No.	Item No.	PU
2	2092-3702/200-000	400
3	2092-3703/200-000	400
4	2092-3704/200-000	400
5	2092-3705/200-000	400

Pole No.	Item No.	PU
2	2092-3722/200-000	300
3	2092-3723/200-000	300
4	2092-3724/200-000	300
5	2092-3725/200-000	300



L = (pole no. - 1) x pin spacing + 3.9 mm



L = (pole no. - 1) x pin spacing + 4.2 mm

PU = Packaging Unit; SPU = Subpackaging Unit; Dimensions in mm





Other variants can be requested via the WAGO sales department or, if necessary, configured at <https://configurator.wago.com/>:

- Other pole numbers



# Volume 6, WAGO Marking

## Volume 6, WAGO Marking

		Page
	Smart Printer	91
	Safety labels	92
	Marking strips	92
	Cable tie marker	93

## Marking device

Printer model: Smart Printer ▶ Marking method: Thermotransfer

1



### Connection Data

Interfaces	USB, RS-232, Ethernet 10/100 Mbps
------------	-----------------------------------

### System Requirements

Memory	4 GB
Supported operating systems	Windows 7; Windows 8; Windows 10

### Technical Data

Operating voltage	100 ... 240 VAC, 50 ... 60 Hz (automatic adjustment)
Marking method	Thermal transfer
Print head	Glass layer, spring-mounted
Print speed (max.)	max. 127 mm/s (WAGO recommends 50.8 mm/s)
See-through/reflective sensor	yes, centrally fixed
Operating display	Color TFT LCD with navigation button
Safety approvals	CE (EMC)
Ink ribbon	Reel outside diameter: 40 mm; core inside diameter 12.7 mm (0.5 inch); max. length 110 m; max. width 58 mm
Memory	8 MB
Print resolution	300 dpi (12 pixels/mm)
Print width (max.)	47 mm
Print length (max.)	762 mm

### Mechanical Data

Dimensions W x H x D	(135 x 175 x 245) mm
----------------------	----------------------

### Environmental Requirements

Surrounding air temperature (operation)	5 ... 40 °C
Surrounding air temperature (storage)	-20 ... 50 °C

## Marking device

Printer model: Smart Printer ▶ Marking method: Thermotransfer

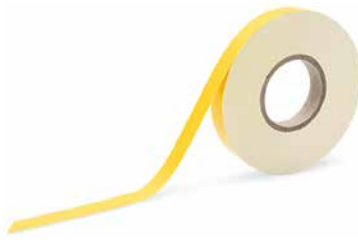
Scope of delivery: Power supply + cable, 2 x roller (258-5006 + 258-5007), 1 x reel holder, 1 x ink ribbon (258-5005), Smart Script marking software and driver, USB cable, external unwinder, 2 x empty cardboard roller core



258-5001

	Item No.	PU
	258-5001	1

## Safety labels; Marking strips 210 / 2009 Series

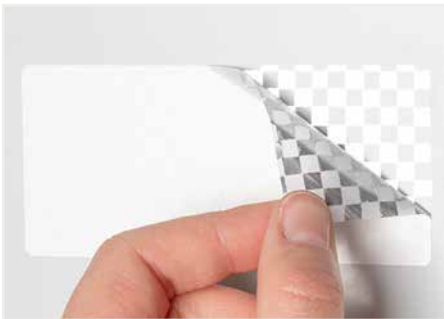


Safety labels; 99 x 44 mm; 300 labels/reel

Color	Item No.	Pack. Unit
○ silver	210-824	1

Marking strips; for Smart Printer; on reel; not stretchable; plain; 11 mm wide; 20 m reel

Color	Item No.	Pack. Unit
● yellow	2009-110/020-002	1



# Cable tie marker 211 Series



Cable tie marker; for Smart Printer; plain; for use with cable ties; 25 x 10 mm; 500 S00 pcs/reel

Color	Item No.	Pack. Unit
● yellow	211-835/000-002	1
● red	211-835/000-005	1
○ white	211-835	1

Cable tie marker; for Smart Printer; plain; for use with cable ties; 100 x 15 mm; 800 pcs/reel

Color	Item No.	Pack. Unit
● yellow	211-836/000-002	1
● red	211-836/000-005	1
○ white	211-836	1

Cable tie marker; for Smart Printer; plain; for use with cable ties; 44 x 10 mm; 500 pcs/reel

Color	Item No.	Pack. Unit
● yellow	211-837/000-002	1
○ white	211-837	1

## Accessories

Cable tie; 2.5 x 100 mm



807-090/101-100	1
-----------------	---

## Item Number Index

Item No.	Page	Item No.	Page	Item No.	Page	Item No.	Page
<b>207 Series</b>		<b>785 Series</b>		<b>2002 Series</b>		<b>2009 Series</b>	
207-1431	39	785-601	12	2002-473	8	2009-412	8
207-1432	39	785-604	12	2002-473/011-000	13	2009-414	8
207-1433	39	785-607	12	2002-474	8	2009-416	8
		785-613	12	2002-475	8		
				2002-475/011-000	13		
<b>209 Series</b>		<b>793 Series</b>		2002-476	8	<b>2016 Series</b>	
209-105	12	793-5501	4	2002-477	8	2016-7601	12
209-119	33			2002-477/011-000	13	2016-7604	12
209-120	33	<b>807 Series</b>		2002-478	8	2016-7607	12
209-122	33	807-090/101-100		2002-479	8		
209-123	32		86	2002-479/011-000	13	2016-7714	12
209-137	32			2002-480	8		
				2002-481	8		
209-1115	43	<b>811 Series</b>		2002-481/011-000	13	<b>2022 Series</b>	
209-1116	43	811-1316		2002-482	8	2022-100	8
			36	2002-492	7	2022-101	8
				2002-492/000-012	7	2022-103/999-953	10
				2002-493	7		
						2022-1291	8
<b>210 Series</b>		<b>831 Series</b>		2002-611	30	2022-1292	8
210-111	30	831-1102/038-000	67	2002-649	30		
210-133	12	831-1102/322-000	67			2022-1391	8
210-136	30	831-1103/038-000	67			2022-1392	8
210-154	33	831-1103/320-000	67	2002-3291	7		
		831-1103/322-000	67	2002-3292	7	2022-1491	8
210-281	12	831-1104/038-000	67			2022-1492	8
210-295	30	831-1104/320-000	67	<b>2003 Series</b>			
210-296	30	831-1104/322-000	67	2003-499			
		831-1105/038-000	67	2003-499			
210-334	43	831-1105/320-000	67	2003-500	14	<b>2052 Series</b>	
		831-1105/322-000	67			2052-301	34
210-720	13	831-1106/038-000	67	2003-500	14	2052-304	34
		831-1106/322-000	67			2052-307	34
210-824	93	831-1107/038-000	67	2003-911	16	2052-311	35
		831-1107/322-000	67	2003-911/1000-923	16	2052-314	35
<b>211 Series</b>		831-1108/038-000	67	2003-7300	12	2052-317	35
211-835	93	831-1108/322-000	67	<b>2004 Series</b>		2052-321	34
211-835/000-002	93	831-1109/038-000	67	2004-171		2052-324	34
211-835/000-005	93	831-1109/322-000	67	2004-172		2052-327	34
211-836	93			2004-402		2052-381	32
211-836/000-002	93	<b>859 Series</b>		2004-402		2052-391	33
211-836/000-005	93	859-500		2004-403			
211-837	93	8		2004-404		2052-1201	31
211-837/000-002	93			2004-405		2052-1204	31
				2004-406		2052-1207	31
<b>221 Series</b>		<b>2001 Series</b>		2004-407		2052-1291	30
221-2401	41	2001-402		2004-408			
221-2411	41	2001-403		2004-409		<b>2086 Series</b>	
		2001-404		2004-410		2086-1102	48
221-2501	43			2004-433		2086-1102/300-000	47
221-2502	43	2001-511		2004-434		2086-1102/700-000/997-604	63
221-2503	43	4		2004-435		<b>2086-1102/700-650/997-604</b>	<b>67</b>
221-2504	43			2004-436		2086-1103	48
221-2505	43	<b>2002 Series</b>		2004-437		2086-1103/300-000	47
221-2511	43	2002-115		2004-438		2086-1103/700-000/997-605	63
221-2512	43	2002-131		2004-439		<b>2086-1103/700-650/997-605</b>	<b>67</b>
221-2513	43	2002-171		2004-440		2086-1104	48
221-2514	43	2002-172		2004-911		2086-1104/300-000	47
221-2515	43			2004-911		2086-1104/700-000/997-605	63
221-2521	43	2002-400		2005-7300		<b>2086-1104/700-650/997-605</b>	<b>67</b>
221-2522	43	2002-402		<b>2005 Series</b>		2086-1105	48
221-2523	43	2002-403		2005-7300		2086-1105/300-000	47
221-2524	43	2002-404				2086-1105/700-000/997-605	63
221-2525	43	2002-405				<b>2086-1105/700-650/997-605</b>	<b>67</b>
221-2531	43	2002-405/011-000				2086-1106	48
221-2532	43	2002-406		<b>2006 Series</b>		2086-1106/300-000	47
221-2533	43	2002-406		2006-8031		2086-1106/700-000/997-607	63
221-2534	43	2002-406/020-000		2006-8033		<b>2086-1106/700-650/997-607</b>	<b>67</b>
221-2535	43	2002-407		2006-8034		2086-1107	48
		2002-408		2006-8035		2086-1107/300-000	47
		2002-409				2086-1107/700-000/997-607	63
		2002-410				<b>2086-1107/700-650/997-607</b>	<b>67</b>
		2002-423		<b>2009 Series</b>		2086-1108	48
<b>249 Series</b>		2002-423/000-005		2009-110		2086-1108/300-000	47
249-101	30	2002-423/000-006		2009-110/020-002		2086-1108/700-000/997-607	63
		2002-433		2009-115		<b>2086-1108/700-650/997-607</b>	<b>67</b>
<b>258 Series</b>		2002-434		2009-174		2086-1109	48
258-5001	91	2002-435		2009-182		2086-1109/300-000	47
		2002-436				2086-1109/700-000/997-607	63
		2002-437				<b>2086-1109/700-650/997-607</b>	<b>67</b>
<b>777 Series</b>		2002-438		2009-304		2086-1110	48
777-303	12	2002-438		2009-305		2086-1110/300-000	47
		2002-439		2009-309		2086-1110/700-000/997-607	63
		2002-440		2009-310			
		2002-472					



Item No.	Page	Item No.	Page	Item No.	Page	Item No.	Page
<b>2086 Series</b>		<b>2086 Series</b>		<b>2086 Series</b>		<b>2092 Series</b>	
2086-1110/700-650/997-607	67	2086-1224/300-000	51	2086-3207	55	2092-1712/200-000	85
2086-1111	48	2086-1225	51	2086-3207/300-000	55	2092-1722	79
2086-1111/300-000	47	2086-1225/300-000	51	2086-3207/700-000/997-607	65	2092-1722/200-000	85
2086-1111/700-000/997-607	63	2086-1226	51	2086-3207/700-650/997-607	69	2092-1723	79
2086-1111/700-650/997-607	67	2086-1226/300-000	51	2086-3208	55	2092-1723/200-000	85
2086-1112	48	2086-1227	51	2086-3208/300-000	55	2092-1724	79
2086-1112/300-000	47	2086-1227/300-000	51	2086-3208/700-000/997-607	65	2092-1724/200-000	85
2086-1112/700-000/997-607	63	2086-1228	51	2086-3208/700-650/997-607	69	2092-1725	79
2086-1112/700-650/997-607	67	2086-1228/300-000	51	2086-3222	59	2092-1725/200-000	85
2086-1122	52	2086-1229	51	2086-3222/300-000	59	2092-1726	79
2086-1122/300-000	51	2086-1229/300-000	51	2086-3223	59	2092-1726/200-000	85
2086-1123	52	2086-1230	51	2086-3223/300-000	59	2092-1727	79
2086-1123/300-000	51	2086-1230/300-000	51	2086-3224	59	2092-1727/200-000	85
2086-1124	52	2086-1231	51	2086-3224/300-000	59	2092-1728	79
2086-1124/300-000	51	2086-1231/300-000	51	2086-3225	59	2092-1728/200-000	85
2086-1125	52	2086-1232	51	2086-3225/300-000	59	2092-1729	79
2086-1125/300-000	51	2086-1232/300-000	51	2086-3226	59	2092-1729/200-000	85
2086-1126	52	2086-3102	56	2086-3226/300-000	59	2092-1730	79
2086-1126/300-000	51	2086-3102/300-000	55	2086-3227	59	2092-1730/200-000	85
2086-1127	52	2086-3102/700-000/997-604	65	2086-3227/300-000	59	2092-1732	79
2086-1127/300-000	51	2086-3102/700-650/997-604	69	2086-3228	59	2092-1732/200-000	85
2086-1128	52	2086-3103	56	2086-3228/300-000	59		
2086-1128/300-000	51	2086-3103/300-000	55			2092-3702	81
2086-1129	52	2086-3103/700-000/997-605	65	<b>2091 Series</b>		2092-3702/200-000	87
2086-1129/300-000	51	2086-3103/700-650/997-605	69	2091-1702	77	2092-3703	81
2086-1130	52	2086-3104	56	2091-1702/200-000	83	2092-3703/200-000	87
2086-1130/300-000	51	2086-3104/300-000	55	2091-1703	77	2092-3704	81
2086-1131	52	2086-3104/700-000/997-605	65	2091-1703/200-000	83	2092-3704/200-000	87
2086-1131/300-000	51	2086-3104/700-650/997-605	69	2091-1704	77	2092-3705	81
2086-1132	52	2086-3105	56	2091-1704/200-000	83	2092-3705/200-000	87
2086-1132/300-000	51	2086-3105/300-000	55	2091-1705	77	2092-3722	81
		2086-3105/700-000/997-607	65	2091-1705/200-000	83	2092-3722/200-000	87
2086-1202	47	2086-3105/700-650/997-607	69	2091-1706	77	2092-3723	81
2086-1202/300-000	47	2086-3106	56	2091-1706/200-000	83	2092-3723/200-000	87
2086-1202/700-000/997-604	63	2086-3106/300-000	55	2091-1707	77	2092-3724	81
2086-1202/700-650/997-604	67	2086-3106/700-000/997-607	65	2091-1707/200-000	83	2092-3724/200-000	87
2086-1203	47	2086-3106/700-650/997-607	69	2091-1708	77	2092-3725	81
2086-1203/300-000	47	2086-3107	56	2091-1708/200-000	83	2092-3725/200-000	87
2086-1203/700-000/997-605	63	2086-3107/300-000	55	2091-1710	77		
2086-1203/700-650/997-605	67	2086-3107/700-000/997-607	65	2091-1710/200-000	83	<b>2202 Series</b>	
2086-1204	47	2086-3107/700-650/997-607	69	2091-1712	77	2202-3201	6
2086-1204/300-000	47	2086-3108	56	2091-1712/200-000	83	2202-3203	6
2086-1204/700-000/997-605	63	2086-3108/300-000	55	2091-1722	77	2202-3204	6
2086-1204/700-650/997-605	67	2086-3108/700-000/997-607	65	2091-1722/200-000	83	2202-3207	6
2086-1205	47	2086-3112	60	2091-1723	77	2202-3208	6
2086-1205/300-000	47	2086-3122	60	2091-1723/200-000	83	2202-3209	6
2086-1205/700-000/997-605	63	2086-3122/300-000	59	2091-1724	77	2202-3217	6
2086-1205/700-650/997-605	67	2086-3123	60	2091-1724/200-000	83	2202-3218	7
2086-1206	47	2086-3123/300-000	59	2091-1725	77	2202-3227	6
2086-1206/300-000	47	2086-3124	60	2091-1725/200-000	83	2202-3228	7
2086-1206/700-000/997-607	63	2086-3124/300-000	59	2091-1726	77	2202-3231	6
2086-1206/700-650/997-607	67	2086-3125	60	2091-1726/200-000	83	2202-3233	6
2086-1207	47	2086-3125/300-000	60	2091-1727	77	2202-3234	6
2086-1207/300-000	47	2086-3126	60	2091-1727/200-000	83	2202-3237	6
2086-1207/700-000/997-607	63	2086-3126/300-000	59	2091-1728	77	2202-3238	6
2086-1207/700-650/997-607	67	2086-3127	60	2091-1728/200-000	83	2202-3239	6
2086-1208	47	2086-3127/300-000	59	2091-1730	77	2202-3247	6
2086-1208/300-000	47	2086-3128	60	2091-1730/200-000	83	2202-3248	7
2086-1208/700-000/997-607	63	2086-3128/300-000	59	2091-1732	77	2202-3257	6
2086-1208/700-650/997-607	67			2091-1732/200-000	83	2202-3258	7
2086-1209	47			<b>2092 Series</b>		<b>2203 Series</b>	
2086-1209/300-000	47	2086-3202	55	2092-1702	79	2203-6540	16
2086-1209/700-000/997-607	63	2086-3202/300-000	55	2092-1702/200-000	85	2203-6541	14
2086-1209/700-650/997-607	67	2086-3202/700-000/997-604	65	2092-1703	79	2203-6542	14
2086-1210	47	2086-3202/700-650/997-604	69	2092-1703/200-000	85	2203-6543	16
2086-1210/300-000	47	2086-3203	55	2092-1704	79	2203-6544	14
2086-1210/700-000/997-607	63	2086-3203/300-000	55	2092-1704/200-000	85	2203-6545	14
2086-1210/700-650/997-607	67	2086-3203/700-000/997-605	65	2092-1705	79	2203-6546	14
2086-1211	47	2086-3203/700-650/997-605	69	2092-1705/200-000	85	2203-6549	14
2086-1211/300-000	47	2086-3204	55	2092-1706	79	2203-6550	14
2086-1211/700-000/997-607	63	2086-3204/300-000	55	2092-1706/200-000	85	2203-6551	14
2086-1211/700-650/997-607	67	2086-3204/700-000/997-605	65	2092-1707	79	2203-6560	16
2086-1212	47	2086-3204/700-650/997-605	69	2092-1707/200-000	85	2203-6561	16
2086-1212/300-000	47	2086-3205	55	2092-1708	79		
2086-1212/700-000/997-607	63	2086-3205/300-000	55	2092-1708/200-000	85	2203-6640	24
2086-1212/700-650/997-607	67	2086-3205/700-000/997-607	65	2092-1709	79	2203-6641	22
2086-1222	51	2086-3205/700-650/997-607	69	2092-1709/200-000	85	2203-6642	22
2086-1222/300-000	51	2086-3206	55	2092-1710	79	2203-6643	24
2086-1223	51	2086-3206/300-000	55	2092-1710/200-000	85	2203-6644	22
2086-1223/300-000	51	2086-3206/700-000/997-607	65	2092-1712	79	2203-6645	22
2086-1224	51	2086-3206/700-650/997-607	69				

## Item Number Index

Item No.	Page	Item No.	Page	Item No.	Page	Item No.	Page
<b>2203 Series</b>		<b>2252 Series</b>					
2203-6646	22	2252-311	33				
2203-6649	22	2252-314	33				
2203-6650	22	2252-317	33				
2203-6651	22	2252-321	32				
2203-6660	24	2252-324	32				
2203-6661	24	2252-327	32				
2203-6692	14						
2203-6693	16	2252-1201	30				
2203-6694	16	2252-1204	30				
		2252-1207	30				
2203-7540	12	<b>2601 Series</b>					
2203-7541	12	2601-1102	71				
2203-7542	12	2601-1103	71				
2203-7545	12	2601-1104	71				
2203-7546	12	2601-1105	71				
2203-7549	12	2601-1106	71				
2203-7550	12	2601-1107	71				
2203-7551	12	2601-1108	71				
2203-7559	12	2601-1109	71				
		2601-1110	71				
2203-7640	20	2601-1111	71				
2203-7641	20	2601-1112	71				
2203-7642	20						
2203-7645	20	2601-3102	71				
2203-7646	20	2601-3103	71				
2203-7649	20	2601-3104	71				
2203-7650	20	2601-3105	71				
2203-7651	20	2601-3106	71				
2203-7659	20	2601-3107	71				
2203-7692	12	2601-3108	71				
		2601-3109	71				
<b>2205 Series</b>		2601-3110	71				
2205-7541	18	2601-3111	71				
2205-7542	18	2601-3112	71				
2205-7545	18						
2205-7546	18	<b>2734 Series</b>					
2205-7549	18	2734-402	73				
2205-7641	26	<b>2734-505</b>					
2205-7642	26						
2205-7645	26	2734-1102/327-000	73				
2205-7646	26	2734-1103/327-000	73				
2205-7649	26	2734-1104/327-000	73				
2205-7692	18	2734-1104/328-000	73				
		2734-1105/327-000	73				
<b>2206 Series</b>		2734-1105/328-000	73				
2206-8031	4	2734-1106/327-000	73				
2206-8033	4	2734-1106/328-000	73				
2206-8034	4	2734-1107/327-000	73				
2206-8034	4	2734-1107/328-000	73				
		2734-1108/327-000	73				
<b>2222 Series</b>		2734-1108/328-000	73				
2222-1201	8	2734-1110/327-000	73				
2222-1201/999-953	10	2734-1110/328-000	73				
2222-1202	8	2734-1112/327-000	73				
2222-1202/999-953	10	2734-1112/328-000	73				
2222-1204	8	2734-1116/327-000	73				
2222-1204/999-953	10	2734-1116/328-000	73				
2222-1207	8						
2222-1207/999-953	10						
2222-1301	8						
2222-1301/999-953	10						
2222-1302	8						
2222-1302/999-953	10						
2222-1304	8						
2222-1304/999-953	10						
2222-1307	8						
2222-1307/999-953	10						
2222-1401	8						
2222-1401/999-953	10						
2222-1402	8						
2222-1402/999-953	10						
2222-1404	8						
2222-1404/999-953	10						
2222-1407	8						
2222-1407/999-953	10						
<b>2252 Series</b>							
2252-301	32						
2252-304	32						
2252-307	32						



## WAGO Worldwide Companies and Representatives

- Algeria**  
Please contact WAGO France
- Argentina**  
Bruno Schillig S.A.  
Arenales 4030, B1604CFD  
Florida, PBA  
Phone+54 11 4730 1100  
wago@schillig.com.ar
- Armenia**  
ROOT ITSP LLC  
33 Halabyan str.  
38, Yerevan  
info@root.am
- Australia**  
WAGO Pty. Ltd.  
2-4 Overseas Drive  
Noble Park Victoria 3174  
Phone+61 03 8791 6300  
sales.anz@wago.com
- Austria**  
WAGO Kontakttechnik Ges.m.b.H.  
Europaring F15 602  
2345 Brunn am Gebirge  
Phone+43 1 6150780  
wago-at@wago.com
- Azerbaijan**  
Please contact WAGO Turkey
- Bangladesh**  
Please contact WAGO India
- Belarus**  
ATAVA Techno Ltd.  
vulica Dzanisauskaja 47  
220006 Minsk  
Telefon: +375 173 881 018  
E-Mail: atava@atava.by
- DemsEnerg LLC  
Vostochnaya Str. 39  
220040 Minsk  
Phone +375 17 2102189  
dems@dems.by
- Belgium**  
WAGO BeLux nv  
Excelsiorlaan 11  
1930 Zaventem  
Phone+32 2 717 9090  
info-be@wago.com
- Bolivia**  
ISOTEK S.R.L.  
Barrio 23 de Junio, Avenida San Juan,  
Entre Calle 4 y 5.  
Santa Cruz  
Phone+593 311 2470  
info@isotek.bo
- Bosnia & Herzegovina**  
Please contact WAGO Bulgaria
- Brasil**  
WAGO Eletroeletrônicos Ltda  
Rua Trípoli, 640  
13212-217 Jundiá - SP  
Phone+55 (11) 2923 7200  
info.br@wago.com
- Bulgaria**  
WAGO BULGARIA OOD  
2E Akad. Ivan Geshov Blvd.  
1330 Sofia  
Phone+359 2 489 46 09  
sales.bg@wago.com
- Canada**  
WAGO Canada, Inc.  
1550 Yorkton Ct  
Burlington, ON L7P 5B7  
Phone +1-888-9246-221  
info.ca@wago.com
- Chile**  
Desimat Chile  
Puerto Vespucio 9670  
Pudahuel Santiago  
Phone+56 747 0152  
ventaschile@desimat.cl
- China**  
WAGO Electronic (Tianjin) Co., Ltd.  
No.5, Quan Hui Road  
Tianjin 301700  
Phone+86 22 5967 7688  
info-cn@wago.com
- Colombia**  
T.H.L. Ltda.  
Cra. 49 B # 91-33  
Bogotá  
Phone+57 1 621 85 50  
ventas-thl2@thl.com.co
- Croatia**  
M.B.A. d.o.o.  
Frana Supila 5  
51211 Matulji  
Phone+385 51 275-736  
mba@ri.htnet.hr
- MICROSTAR d.o.o.  
Siget 18 b  
10010 Zagreb  
Phone+385 3647 849  
wago@microstar.hr
- Czech Republic**  
WAGO Elektro spol. sr. o.  
Rozvodova 1116/36  
143 00 Praha 12 - Modřany  
Phone+420 261 090 143  
info.cz@wago.com  
wago-cz@wago.com
- Denmark**  
WAGO Denmark A/S  
Lejrvej 17  
3500 Værløse  
Phone+45 44 357 777  
info.dk@wago.com
- Ecuador**  
ECUAINSETEC CIA LTDA  
Yugoslavia N34-110 y Azuay  
Azuay  
Phone+593 2 24 50 475  
g.castro@ecuainsetec.com.ec
- Egypt**  
Please contact WAGO United Arab Emirates
- Estonia**  
Eltarko OÜ  
Treali tee 2  
75312 Harjumaa  
Phone+372 503 2740  
andres@eltarko.ee
- Finland**  
WAGO Finland Oy  
Äyritie 12 B  
01510 Vantaa  
Phone+358 9 7744 060  
info.fi@wago.com
- France**  
WAGO Contact SAS  
83 Rue des Chardonnerets  
93290 - Tremblay en France  
Phone+33 1 4717 2590  
info-fr@wago.com
- Germany**  
WAGO GmbH & Co. KG  
Hansastraße 27  
32423 Minden  
Phone+49 571 887-0  
Fax +49 571 887-169  
info@wago.com
- Germany**  
WAGO GmbH & Co. KG  
Waldstraße 1  
99706 Sondershausen  
Phone+49 3632 659-0  
Fax +49 3632 659-100  
info@wago.com
- Greece**  
PANAGIOTIS SP. DIMOULAS  
DIMOULAS AUTOMATIONS  
Kritis Str. 26  
10439 Athens  
Phone+30 210 883 3337  
wago.info@dimoulas.com.gr
- Honduras**  
CILASAS S.A. de C.V.  
7 Calle entre 14 y 15 Ave. N.O.  
P.O. Box. 1061  
San Pedro Sula  
Phone+504 2557 1146/7  
ventas@iecilasa.com
- Hong Kong**  
National Concord Eng., Ltd.  
611-619 Castle Peak Road  
Tsuen Wan, N.T.  
Phone+852 2429 2611  
sales@nce.com.hk
- Hungary**  
WAGO Hungária KFT  
Szabadság út 117.  
2040 Budaörs  
Phone+36 23 791 000  
info.hu@wago.com
- Iceland**  
FAGKAUP EHF.  
Smidjuvegur 3  
200 Kopavogur  
Phone+354 520-4500  
export@wago.com
- India**  
WAGO India  
Block No. 94 Mumbai - Agra, National  
Highway, Untiya, Gujarat 391243  
Phone+91-265-6812100  
info.india@wago.com
- Indonesia**  
Please contact WAGO Singapore
- Iraq**  
EBDAA ALWAKEEL COMPANY  
Mosque, Koya rd Near sayd gharib  
44001 Erbil  
Phone+964 7504920300  
info@ebdaalwakeel.com
- Ireland**  
Drives & Controls  
Nangor Road  
Dublin 12  
Phone+353 1 4604474  
info@drivesandcontrols.ie
- Israel**  
Comtel Israel Electronic Solutions Ltd.  
20 Hataas Street  
P.O. Box 66  
44425200 Kfar-Saba  
Phone+972 9 76 77 243  
sales@comtel.co.il
- Italy**  
WAGO Elettronica SRL a Socio Unico  
Via Parini 1  
40033 Casalecchio di Reno (BO)  
Phone+39 051 6132112  
info-ita@wago.com
- Japan**  
WAGO Co. of JAPAN Ltd.  
1-5-7, Kameido  
Tokyo 136-0071  
Phone+81 3 5627 2050  
info-jp@wago.com
- Jordan**  
Oxgen for Engineering Systems Co. L.L.C  
11953 Jordan  
Phone+962 79 9 860 869  
info@oxgn-grp.com
- Kazakhstan**  
Axima LLP  
232/2, Ryskulov avenue  
050061 Almaty  
Phone+7 727 356 52 91/92/93  
sales@axima.kz  
or@axima.kz
- Technik-Tade LLC  
Kabanbay Str. 11  
70004 Ust-Kamenogorsk  
Phone+7 7232 254064  
info@technik.kz
- Korea**  
WAGO Korea Co., Ltd.  
Imiro 40,  
16006, Uiwang-Si  
Phone+82 31 421 9500  
info.korea@wago.com
- Kosovo**  
Please contact WAGO Bulgaria
- Latvia**  
INSTABALT LATVIA SIA  
Vestienas iela 14  
Riga, LV-1035  
Phone+370 52 322 295  
info@instabalt.lv
- Lebanon**  
Gemayel Trading & Contracting  
Rue 55  
P.O. BOX 70-1096 Antelias  
Phone+961 3 22 30 29  
info@gtclb.com
- Lithuania**  
INSTABALT LIT UAB  
Savanorių 187  
Vilnius, 2053  
Phone+370 52 322 295  
info@instabalt.lt
- Luxembourg**  
Please contact WAGO Belgium
- Malaysia**  
HPH MATERIALS (M) SDN BHD  
Jalan Nilam 1/6  
40000 Shah Alam, Selangor D.E.  
Phone+60 3 5638 2213  
info@hphmaterials.com
- WAGO Automation Sdn. Bhd.  
Jalan PJS 8/9,  
46150 Petaling Jaya,  
Selangor Darul Ehsan  
Phone+60 3 7877 1776  
info-my@wago.com
- Maldives**  
Please contact WAGO India
- Mexico**  
WAGO S.A. de C.V.  
Carretera estatal 431 Km. 2+200  
Lote 99 Módulo 6  
762460 Qro.  
Phone+52 442 221 5946  
info.mx@wago.com
- Morocco**  
Automatisme & Connection Maroc  
23, Rue Boured  
20300 Casablanca  
Phone+33 1 4717 2590  
info-fr@wago.com
- Nepal**  
Please contact WAGO India

**Netherlands**

WAGO Nederland B.V.  
Laan van de Ram 19  
7234 BW APELDOORN  
Phone+31 55 36 83 500  
info-nl@wago.com

**New Zealand**

Engineering Computer Services Ltd  
7-19 Ruffell Rd  
Hamilton, 3200  
Phone+64 (0) 7 849 2211  
sales@ecsnz.com

**Nigeria**

GIL Automations Ltd.  
2 Lateef Jakande Rd.  
100271 Ikeja, Lagos State  
Phone+234 17 132672335  
sales@gilautomation.com

**Norway**

WAGO Norge AS  
Jerikoveien 20  
1067 Oslo  
Phone+47 22 30 94 50  
info.no@wago.com

**Oman**

Please contact WAGO United Arab  
Emirates

**Pakistan**

FuziLogiX Automation & Control  
Suit No. 14, 5th Floor, Shan Arcade  
New Garden Town, Lahore  
Phone+92 42 594 1503 - 4  
info@fuzilogix.com

S.A. Hamid & Co.  
7 Brandreth Road  
Lahore, 54000

Phone+92 42 376 500 99  
sales@sahamid.com

**Paraguay**

AESA  
c/Antolin Irala  
2309 Asunción  
Phone+59 521674524  
info@aesa.com.py

**Philippines**

Please contact WAGO Singapore

**Poland**

WAGO ELWAG sp. z o. o.  
ul. Piękną 58 a  
50-506 Wrocław  
Phone+48 71 3602970  
wago.elwag@wago.com

**WAGO ELWAG WRÓBLOWICE**

ul. Innowacyjna 2  
55-330 Miękinia  
Tel- +48 71 360 22 95  
wago.elwag@wago.com

**Portugal**

MORGADO & CA. LDA - SEDE  
Estrada Exterior da  
Circunvalação 3558/3560  
4435 Rio Tinto  
Phone+351 22 9770600  
geral@morgadocl.pt

**Qatar**

Please contact WAGO United Arab  
Emirates

**Republic Moldova**

Smart Delight SRL  
Bulgara Str. 9/6  
2001 Chisinau  
Phone+373 (373) 69 10 22 01  
alexandres@starnet.md

**Republic North Macedonia**

Kompjuner Inzenering  
Vladimir Komarov 1A-3/9  
1000 Skopje  
Phone+389 2 521 12 00  
info@compunet.com.mk

**Romania**

WAGO KONTAKTECHNIK ROMANIA S.R.L  
Sos. Pipera-Tunari nr. 1/1  
77190 Voluntari, Ilfov  
Phone+40-(0)31 421 85 68  
sales.ro@wago.com

**VDR & SERVICE SRL**

Str. Valeriu Branișten no. 60  
030718 Bukarest  
Phone+40 21 32250 74/76  
office@componente-automatizari.ro

**Russia**

OOO WAGO Contact Rus  
Ilimskaya strret 5  
127576 Moscow  
Phone+7 495 223 4747  
info.ru@wago.com  
www.wago.ru

**OOO PROSOFT**

ul. Profsovnaya, 108  
117437 Moscow  
Phone+7 495 2340636  
info@prosoft.ru

**Saudi Arabia**

Saudi Electronic Trading  
P.O. Box 60712  
Riyadh 11555  
Phone+966 11 2063 377  
info@setra.com.sa

**Serbia**

Mehatronik Sistem d.o.o.  
Bul. Oslobođenja 30  
32000 Cacak  
Phone+381 (0)32 310 088  
office@mehatronik.com

**Sigma Controls Engineering d.o.o.**

Jovana Skerlica 22  
18000 Nis  
Phone+381 (0)63 403 104  
zeljko.savic@sce.rs

**Singapore**

WAGO Electronic Pte Ltd  
138 Joo Seng Road #06-01  
Singapore 368361  
Phone+65 62866776  
info-sing@wago.com

**Slovakia**

Proelektro spol. s r.o.  
Na barine 22  
841 03 Bratislava - Lamač  
Phone+421 2 4569 2503  
info@wago.sk

**Slovenia**

IC elektronika d.o.o.  
Vodovodna cesta 100  
1000 Ljubljana  
Phone+386 1568 01 26  
info@ic-elect.si

**Elektronabava d.o.o.**

Cesta 24 junija 3  
1231 Ljubljana  
Phone+386 58 99 300  
info@elektronabava.si

**South Africa**

Shorrock Automation CC  
5 Regency Drive, Route 21 Corp. Park  
51 Centurion  
Phone+27 12 4500300  
sales@shorrock.co.za

**Spain**

DICOMAT S.L.  
Avda. de la Industria, 36  
28108 Alcobendas (Madrid)  
Phone+34 91 662 1362  
clientes@dicomat-asetyc.com

**Sri Lanka**

Please contact WAGO India

**Sweden**

WAGO Sverige AB  
Box 11127  
Adolfsbergsv. 31  
Phone+46 858 410 680  
info.se@wago.com

**Switzerland**

WAGO CONTACT SA  
Rte. de l'Industrie 19  
1564 Domdidier  
Phone+41/26 676 75 00  
info.switzerland@wago.com

**Syria**

Please contact WAGO United Arab  
Emirates

**Taiwan**

WAGO Contact, Ltd.  
5F., No.168, Jiankang Rd  
Taipei County 23585  
Phone+886 2 2225 0123  
info.taiwan@wago.com

**Thailand**

WAGO REPRESENTATIVE OFFICE  
THAILAND  
213/6-8 Rachada-Phisek Road  
10400 Dindaeng Bangkok  
Phone+66 2 6935611  
warongkon.khankham@wago.com

**ITTHIRIT TECHNOLOGY CO., LTD.**

Watcharapon Road  
10220 Bangkok  
Phone+66 2 347 0780  
sales@itthiritechnology.com

**JJ-LAPP (T) LTD.**

Soi Sukhamvit Road 62  
10110 Wattana, Bangkok, Thailand  
Phone+66 2 787 8288  
Sales\_jjlt@jjsea.com

**US POWER DISTRIBUTION CO., LTD.**

213/6-8 Rachada-Phisek Road  
10400 Dindaeng Bangkok  
Phone+66 2 2763040  
uspowers2014@gmail.com

**Tunisia**

Please contact WAGO France

**Turkey**

WAGO Elektronik Sanayi ve Ticaret Ltd. Şti.  
Cad. Hattat Sok. No. 10  
34775 Ümraniye - Istanbul  
Phone+90 216 482 1133  
info.tr@wago.com

**Ukraine**

LLC RPE „Logicon“  
Predslavinskaya street, 37  
3150 Kiev  
Phone+380 44 522 8019  
info@logicon.ua

Micropribor Ltd.  
4, Krzhizhanovskiy Str.  
3142 Kiev  
Phone+380 44 392 93 86  
sales@micropribor.kiev.ua

**Uruguay**

Fivisa Electricidad  
Avda. Uruguay 1274  
11100 Montevideo  
Phone+59 829 020 808  
info@fivisa.com.uy

**United Arab Emirates**

WAGO Middle East (FZC)  
SAIF Zone, Q4-282  
P.O. Box 120665  
Sharjah, UAE  
Phone+971 6 5579920  
info.uae@wago.com

**United Kingdom**

WAGO Limited  
Swift Valley Industrial Estate  
CV21 1SG Rugby  
ukmarketing@wago.com

**United States**

WAGO CORPORATION  
N120 W19129 Freistadt Road  
Germantown, WI 53022  
Phone+1 262 255 6222  
info.us@wago.com

**Venezuela**

PETROBORNAS, C.A.  
C.C. PLAZA AEROPUERTO - PISO 1  
(8015) UNARE - PUERTO ORDAZ -  
ESTADO BOLÍVAR  
Phone+58 286 951 3382  
info@petrobornas.com

**Vietnam**

ASEAN TRADING AN ENGINEERING JOINT  
STOCK COMPANY (ASEATEC)  
No 1, lane 18 Nguyen Hong Str.  
100000 DONG DA DIST: HANOI  
Phone+84 24 3773 5355  
info@aseatec.com

**ETEC AUTOMATION TECHNOLOGY CO., LTD.**

173 Nguyen Suy Str.  
700000 HO CHI MINH CITY,  
Phone+84 8 6252 9141 - 49  
etec@etecvn.vom

Version: 10/2021

Current addresses at www.wago.com





**WAGO GmbH & Co. KG**

Postfach 2880 · D · 32385 Minden  
Hansastraße 27 · D · 32423 Minden  
info@wago.com  
www.wago.com

Headquarters	+49 571 887 - 0
Sales	+49 571 887 - 44222
Order Service	+49 571 887 - 44333
Fax	+49 571 887 - 844169

WAGO is a registered trademark of WAGO Verwaltungsgesellschaft mbH.

"Copyright – WAGO GmbH & Co. KG – All rights reserved. The content and structure of the WAGO websites, catalogs, videos and other WAGO media are subject to copyright. Distribution or modification to the contents of these pages and videos is prohibited. Furthermore, the content may neither be copied nor made available to third parties for commercial purposes. Also subject to copyright are the images and videos that were made available to WAGO GmbH & Co. KG by third parties."