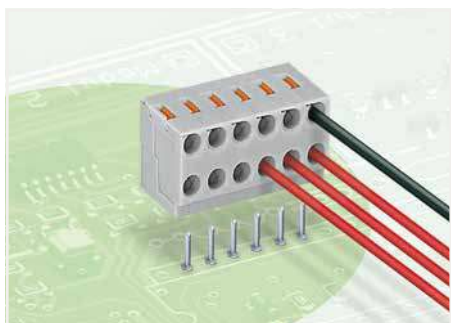


**2-conductor female connector ▶ 252 Series**

**PUSH WIRE® ▶ Actuation type: Push-button ▶ 0.5 mm<sup>2</sup> ▶ Pin spacing: 3.5 mm / 0.138 inch ▶ Terminal strip ▶ Color: gray**

Заказ на сайте  
www.wago.ru



- 2-conductor female connector with push-buttons and PUSH WIRE® connection
- Push-in termination of solid conductors – conductor removal via push-buttons
- Double entries for power supply and distribution
- Quick and easy PCB replacement
- Loop connection is retained, even when unmated
- Group arrangement is possible without losing any poles

Electrical Data						
Pin spacing	3.5 mm / 0.138 inch			3.5 mm / 0.138 inch		
Secondary product function	suitable for solder pin strips; suitable for solder pins			suitable for solder pins; pluggable from top		
Ratings per	IEC/EN 60664-1			IEC/EN 60664-1		
Overvoltage category	III	III	II	III	III	II
Pollution degree	3	2	2	3	2	2
Rated voltage	320 V	320 V	630 V	160 V	160 V	320 V
Rated impulse voltage	4 kV	4 kV	4 kV	2.5 kV	2.5 kV	2.5 kV
Rated current	2 A	2 A	2 A	2 A	2 A	2 A
Approbations per	UL 1059			UL 1059		
Use group	B	C	D	B	C	D
Rated voltage	300 V	-	300 V	300 V	-	300 V
Rated current	2 A	-	2 A	2 A	-	2 A

Connection Data	
Connection technology	PUSH WIRE®
Strip length	6 ... 7 mm / 0.24 ... 0.28 inch
Conductor connection direction to PCB	0°
Solid conductor	0.14 ... 0.5 mm <sup>2</sup> / 26 ... 20 AWG
Conductor diameter	0.4 ... 0.8 mm

Material Data	
Material group	I
Insulation material	Polyamide (PA66)
Flammability class per UL94	V0
Clamping spring material	Copper alloy
Contact material	Electrolytic copper (E <sub>Cu</sub> )
Contact plating	Tin-plated

Environmental Requirements	
Limit temperature range	-60 ... +105 °C

General accessories Page 791

Marking Page 864

Tool Page 870

See technical section for further information

For approvals and corresponding ratings, visit [www.wago.com](http://www.wago.com)

## 2-conductor female connector ▶ 252 Series

PUSH WIRE® ▶ Actuation type: Push-button ▶ 0.5 mm<sup>2</sup> ▶ Pin spacing: 3.5 mm / 0.138 inch ▶ Terminal strip ▶ Color: gray

Заказ на сайте  
www.wgospb.ru

suitable for solder pins

suitable for solder pins; pluggable from top

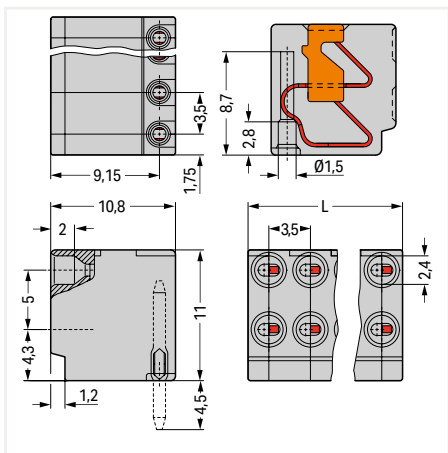


252-106

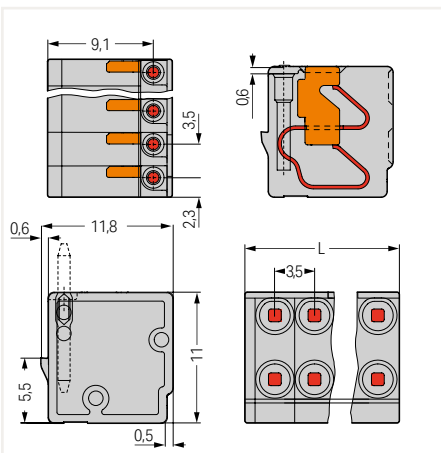
252-302

Pole No.	Item No.	PU (SPU)
2	252-102	600 (100)
3	252-103	400 (100)
4	252-104	300 (100)
5	252-105	300 (100)
6	252-106	200 (100)
7	252-107	200 (100)
8	252-108	200 (50)
9	252-109	200 (50)
10	252-110	150 (50)

Pole No.	Item No.	PU (SPU)
2	252-302	600 (100)
3	252-303	400 (100)
4	252-304	300 (100)
5	252-305	300 (100)
6	252-306	200 (100)
7	252-307	200 (100)
8	252-308	200 (50)
9	252-309	200 (50)
10	252-310	150 (50)



L = pole no. x pin spacing



L = pole no. x pin spacing

### Accessories; for all products on this page



Solder pin; Solder pin diameter: 1 mm; for PCBs up to 2 mm thick

Pole No.	Item No.	PU
1	243-131	1000

PU = Packaging Unit; SPU = Subpackaging Unit; Dimensions in mm

Other versions (or variants) can be requested from WAGO Sales or configured at <https://configurator.wago.com/>.

- Other pole numbers
- Direct marking

**2-conductor female connector ▶ 252 Series**

**PUSH WIRE® ▶ Actuation type: Push-button ▶ 0.5 mm<sup>2</sup> ▶ Pin spacing: 3.5 mm / 0.138 inch ▶ Terminal strip ▶ Color: gray**

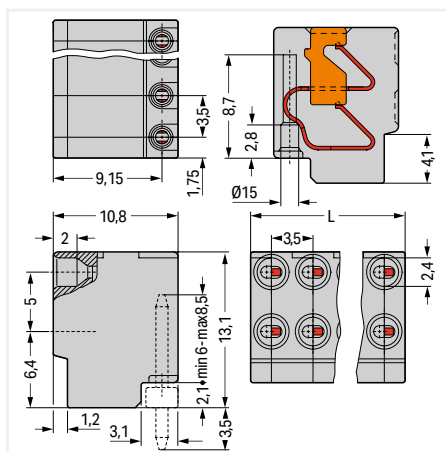
Заказ на сайте  
[www.wago.ru](http://www.wago.ru)

suitable for solder pin strips



252-156

Pole No.	Item No.	PU (SPU)
2	252-152	600 (100)
3	252-153	400 (100)
4	252-154	300 (100)
5	252-155	300 (100)
6	252-156	200 (100)
7	252-157	200 (100)
8	252-158	200 (50)
9	252-159	200 (50)
10	252-160	150 (50)



L = pole no. x pin spacing

#### Accessories; for all products on this page



Solder pin; Solder pin diameter: 1 mm; Pin spacing: 3.5 mm / 0.138 inch

Pole No.	Item No.	PU
2	252-902	500
3	252-903	500
4	252-904	500
5	252-905	500
6	252-906	500
7	252-907	500
8	252-908	500
9	252-909	500
10	252-910	500



Solder pin; Solder pin diameter: 1 mm; with locking function

Pole No.	Item No.	PU
4	252-954	1000

PU = Packaging Unit; SPU = Subpackaging Unit; Dimensions in mm

Other versions (or variants) can be requested from WAGO Sales or configured at <https://configurator.wago.com/>.

- Other pole numbers
- Direct marking