

# Miniature Rail-Mount Terminal Blocks TOPJOB® S; with/without push-buttons and with Push-in CAGE CLAMP® 2250 and 2050 Series Description and Installation



Insert ferruled conductors via push-in termination.



Insert fine-stranded conductors via operating tool.



Remove all conductors via operating tool.

4



Insert a jumper (star point jumper) and push down until it hits the backstop.



Insert a jumper (delta jumper) and push down until it hits the backstop.



Marking strip (2009-110) inserted in the marking slot with jumper symbols of the inserted jumper



Snapping a marking strip (2009-110) into a marker slot.



Snapping a WMB marking strip into a marker slot.



Push-in CAGE CLAMP® terminates the following copper conductors:  
solid "s"



stranded "st"



fine-stranded "f-st", also with tinned single strands

**PUSH-IN CAGE CLAMP®**

[Заказ на сайте](#)

[www.wgspb.ru](http://www.wgspb.ru)

4



Insert ferruled conductors via push-in termination.



Insert fine-stranded conductors via operating tool.



Remove all conductors via operating tool.



Mounting a terminal strip with snap-in feet into holes.



Terminal strip; with snap-in mounting feet  
Snapping a mounting foot (209-120)  
(Distance between mounting feet: approx. 20 ... 25 mm)



Terminal strip; with snap-in mounting feet; for DIN-35 rail  
(209-120 Mounting Foot)



Mounting and securing a terminal strip directly to the plate via screw-type flanges



Terminal strip; with mounting flanges; screw mounting



Testing with a 2 mm Ø 210-136 Test Plug (max. 42 V).



fine-stranded,  
tip-bonded



fine-stranded,  
with ferrule  
(gastight crimped)



fine-stranded,  
with pin terminal  
(gastight crimped)

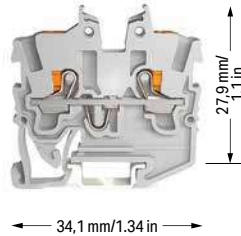
PUSH-IN CAGE CLAMP®

заказ на сайте  
www.wgspb.ru

# Miniature Through Terminal Block and Ground Conductor Terminal Block TOPJOB® S; with Push-Button; for DIN-15 Rail 1 (1.5) mm<sup>2</sup>; 2250 Series

### Technical Data

0.14 ... 1 (1.5) mm <sup>2</sup> ①	24 ... 16 AWG
500 V/6 kV/3 ②	300 V, 10 A ③
I <sub>N</sub> 13.5 A (17.5 A)	300 V, 10 A ④
Terminal block width: 3.5 mm / 0.138 inch	
9 ... 11 mm / 0.35 ... 0.43 inch	



2-conductor miniature through terminal block; with push-button; for DIN-15 rail

Color	Item No.	Pack. Unit
gray ⑤	2250-1201 ④	100
blue ⑤	2250-1204 ③ ④	100

2-conductor miniature ground terminal block; with push-button; for DIN-15 rail

green-yellow ⑤	2250-1207 ④	100
----------------	-------------	-----

### Accessories; 2250 Series

Appropriate marking systems:  
WMB/WMB Inline/Marking strips

End and intermediate plate; 1.1 mm thick

gray	2050-1291	100 (25)
------	-----------	----------

Push-in type jumper bar; insulated; I<sub>N</sub> 14 A; light gray

2-way	2000-402	25
3-way	2000-403	25
4-way	2000-404	25
5-way	2000-405	25
6-way	2000-406	25
7-way	2000-407	25
8-way	2000-408	25
9-way	2000-409	25
10-way	2000-410	25

Push-in type jumper bar; insulated; I<sub>N</sub> 14 A; light gray

1 to 3	2000-433	25
1 to 4	2000-434	25
1 to 5	2000-435	25
1 to 6	2000-436	25
1 to 7	2000-437	25
1 to 8	2000-438	25
1 to 9	2000-439	25
1 to 10	2000-440	25

Delta jumper; insulated; I<sub>N</sub> = I<sub>N</sub> terminal block; light gray

1-2-3-4-5-6	2000-406/020-000	25
-------------	------------------	----

Star point jumper; insulated; I<sub>N</sub> = I<sub>N</sub> terminal block; light gray

1-3-5	2000-405/011-000	25
-------	------------------	----

Push-in type wire jumper; insulated; 0.75 mm<sup>2</sup> conductor cross-section; I<sub>N</sub> 9 A

L = 60 mm	2009-402	100 (10)
L = 110 mm	2009-404	100 (10)
L = 250 mm	2009-406	100 (10)

① Conductor range: 0.14 ... 1.5 mm<sup>2</sup> "s+f-st"; Push-in termination: 0.5 ... 1.5 mm<sup>2</sup> "s" and 0.5 ... 0.75 mm<sup>2</sup> "insulated ferrules; 10 mm" Depending on the conductor characteristic, a conductor with a smaller cross section can also be inserted via push-in termination.

② 500 V = rated voltage  
6 kV = rated impulse voltage  
3 = pollution degree (see Section 15)

③ Terminal blocks with a blue insulated housing are suitable for Ex i applications.

④ Terminal blocks with an Ex mark are suitable for Ex e II applications.  
352 V; 13.5 A  
12 A jumper (see Section 15)

Please observe the application notes:  
Jumpers, from page 174  
Testing accessories, from page 168  
Marking, from page 640

Approvals and corresponding ratings, visit [www.wago.com](http://www.wago.com)

### Accessories; 2250 Series

Appropriate marking systems:  
WMB/WMB Inline/Marking strips

Modular connector; snaps together; for jumper contact slot  
Terminal block width: 5 mm / 0.197 inch  
Only for test purposes

gray	2000-511	100 (25)
------	----------	----------

Modular connector; snaps together; for jumper contact slot  
Only for test purposes

gray	2000-510	100 (25)
------	----------	----------

Spacer module; snaps together; bridges commoned terminal blocks

gray	2000-549	100 (25)
------	----------	----------

Test plug; with 500 mm cable; 2 mm Ø; max. 42 V

red	210-136	50
-----	---------	----

Marking strip; plain; 11 mm wide; 50 m reel

white	2009-110	1
-------	----------	---

WMB Inline; plain; 2,300 WMB markers (3.5 mm)/reel

white	2009-113	1
-------	----------	---

WMB Marker Card; white; 10 strips with 10 markers/card; for 3.5 mm terminal block width

plain	793-3501	5
-------	----------	---

### Accessories; 2250 Series

Appropriate marking systems:  
WMB/WMB Inline/Marking strips

Screwless end stop; for DIN-15 rail; 6 mm wide

gray	249-101	25
------	---------	----

Steel DIN-rail; per EN 60715; 15 x 5.5 mm; 1 mm thick; 2 m long

slotted	210-111	10 (1)
unslotted	210-295	10 (1)

Aluminum DIN-rail; similar to EN 60715; 15 x 5.5 mm; 1 mm thick; 2 m long

unslotted	210-296	1
-----------	---------	---

PUSH-IN CAGE CLAMP®

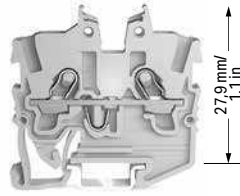
# Miniature Through Terminal Block and Ground Conductor Terminal Block TOPJOB® S; for DIN-15 Rail

zakaz na karte  
www.wgspb.ru

## 1 (1.5) mm<sup>2</sup>; 2050 Series

### Technical Data

0.14 ... 1 (1.5) mm <sup>2</sup> ①	24 ... 16 AWG
500 V/6 kV/3 ②	300 V, 10 A ③
I <sub>N</sub> 13.5 A (17.5 A)	300 V, 10 A ④
Terminal block width: 3.5 mm / 0.138 inch	
9 ... 11 mm / 0.35 ... 0.43 inch	



### 2-conductor miniature through terminal block; for DIN-15 rail

Color	Item No.	Pack. Unit
gray ⑤	2050-1201 ④	100
blue ⑤	2050-1204 ③ ④	100

### 2-conductor miniature ground terminal block; for DIN-15 rail

green-yellow ⑤	2050-1207 ④	100
----------------	-------------	-----

### Accessories; 2050 Series

Appropriate marking systems:  
WMB/WMB Inline/Marking strips

### End and intermediate plate; 1.1 mm thick

gray	2050-1291	100 (25)
------	-----------	----------

### Push-in type jumper bar; insulated; I<sub>N</sub> 14 A; light gray

2-way	2000-402	25
3-way	2000-403	25
4-way	2000-404	25
5-way	2000-405	25
6-way	2000-406	25
7-way	2000-407	25
8-way	2000-408	25
9-way	2000-409	25
10-way	2000-410	25

### Push-in type jumper bar; insulated; I<sub>N</sub> 14 A; light gray

1 to 3	2000-433	25
1 to 4	2000-434	25
1 to 5	2000-435	25
1 to 6	2000-436	25
1 to 7	2000-437	25
1 to 8	2000-438	25
1 to 9	2000-439	25
1 to 10	2000-440	25

### Delta jumper; insulated; I<sub>N</sub> = I<sub>N</sub> terminal block; light gray

1-2-3-4-5-6	2000-406/020-000	25
-------------	------------------	----

### Star point jumper; insulated; I<sub>N</sub> = I<sub>N</sub> terminal block; light gray

1-3-5	2000-405/011-000	25
-------	------------------	----

### Protective warning marker; with black high-voltage symbol; for 5 terminal blocks

yellow	2000-115	100 (25)
--------	----------	----------

① Conductor range: 0.14 ... 1.5 mm<sup>2</sup> "s+f-st";  
Push-in termination: 0.5 ... 1.5 mm<sup>2</sup> "s" and  
0.5 ... 0.75 mm<sup>2</sup> "insulated ferrules; 10 mm"  
Depending on the conductor characteristic, a conductor  
with a smaller cross section can also be inserted  
via push-in termination.

② 500 V = rated voltage  
6 kV = rated impulse voltage  
3 = pollution degree  
(see Section 15)

③ Terminal blocks with a blue insulated housing are  
suitable for Ex i applications.

④ Terminal blocks with an Ex mark are suitable for Ex e II  
applications.  
352 V; 13.5 A  
12 A jumper  
(see Section 15)

Please observe the application notes:  
Jumpers, from page 174  
Testing accessories, from page 168  
Marking, from page 640

Approvals and corresponding ratings,  
visit [www.wago.com](http://www.wago.com)

### Accessories; 2050 Series

Appropriate marking systems:  
WMB/WMB Inline/Marking strips

### Push-in type wire jumper; insulated; 0.75 mm<sup>2</sup> conductor cross-section; I<sub>N</sub> 9 A

L = 60 mm	2009-402	100 (10)
L = 110 mm	2009-404	100 (10)
L = 250 mm	2009-406	100 (10)

### Modular connector; snaps together; for jumper contact slot

Terminal block width: 5 mm / 0.197 inch  
Only for test purposes

gray	2000-511	100 (25)
------	----------	----------

### Modular connector; snaps together; for jumper contact slot

Only for test purposes

gray	2000-510	100 (25)
------	----------	----------

### Spacer module; snaps together; bridges commoned terminal blocks

gray	2000-549	100 (25)
------	----------	----------

### Test plug; with 500 mm cable; 2 mm Ø; max. 42 V

red	210-136	50
-----	---------	----

### Marking strip; plain; 11 mm wide; 50 m reel

white	2009-110	1
-------	----------	---

### WMB Inline; plain; 2,300 WMB markers (3.5 mm)/reel

white	2009-113	1
-------	----------	---

### WMB Marker Card; white; 10 strips with 10 markers/card; for 3.5 mm terminal block width

plain	793-3501	5
-------	----------	---

### Accessories; 2050 Series

Appropriate marking systems:  
WMB/WMB Inline/Marking strips

### Screwless end stop; for DIN-15 rail; 6 mm wide

gray	249-101	25
------	---------	----

### Steel DIN-rail; per EN 60715; 15 x 5.5 mm; 1 mm thick; 2 m long

slotted	210-111	10 (1)
unslotted	210-295	10 (1)

### Aluminum DIN-rail; similar to EN 60715; 15 x 5.5 mm; 1 mm thick; 2 m long

unslotted	210-296	1
-----------	---------	---

4

**PUSH-IN CAGE CLAMP®**

заказ на сайте

www.wgspb.ru

# Miniature Through Terminal Block TOPJOB® S; with Push-Button; with Mounting Flange 1 (1.5) mm<sup>2</sup>; 2250 Series

### Technical Data

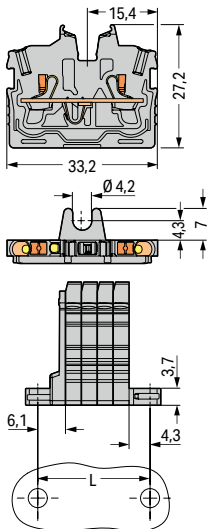
0.14 ... 1 (1.5) mm <sup>2</sup> ①	24 ... 16 AWG
500 V/6 kV/3 ②	300 V, 10 A ③
I <sub>N</sub> 13.5 A (17.5 A)	300 V, 10 A ④
Terminal block width: 3.5 mm / 0.138 inch	
9 ... 11 mm / 0.35 ... 0.43 inch	



4

Dimensions (in mm):

Modular terminal blocks and terminal strips with mounting flanges  
L = (pole no. x 3.5 mm) + 4.3 mm + 6.1 mm



2-conductor miniature through terminal block; with push-button; end terminal block with mounting flange; for screw or similar mounting types; 4.2 mm mounting hole diameter; with mounting foot (209-123) also for DIN-35 rail

Color	Item No.	Pack. Unit
gray ⑤	2250-301 ④	100
blue ⑤	2250-304 ③ ④	100
green-yellow ⑤	2250-307 ④	100

2-conductor miniature through terminal block; with push-button; center terminal block; without snap-in mounting foot; without mounting flange; for 0.6 ... 1.2 mm plate thickness; required between end plate and end terminal block for terminal strips with mounting flanges

Color	Item No.	Pack. Unit
gray ⑤	2250-321 ④	100
blue ⑤	2250-324 ③ ④	100
green-yellow ⑤	2250-327 ④	100

### Accessories; 2250 Series

Appropriate marking systems:  
WMB/WMB Inline/Marking strips

End plate; with mounting flange; 1.3 mm thick	gray	2050-381	100 (25)
---	------	----------	----------



- Conductor range: 0.14 ... 1.5 mm<sup>2</sup> "s+f-st"; Push-in termination: 0.5 ... 1.5 mm<sup>2</sup> "s" and 0.5 ... 0.75 mm<sup>2</sup> "insulated ferrules; 10 mm" Depending on the conductor characteristic, a conductor with a smaller cross section can also be inserted via push-in termination.
- 500 V = rated voltage  
6 kV = rated impulse voltage  
3 = pollution degree (see Section 15)
- Terminal blocks with a blue insulated housing are suitable for Ex i applications.
- Terminal blocks with an Ex mark are suitable for Ex e II applications.  
352 V; 13.5 A  
12 A jumper (see Section 15)

Please observe the application notes:  
Jumpers, from page 174  
Testing accessories, from page 168  
Marking, from page 640

Approvals and corresponding ratings, visit [www.wago.com](http://www.wago.com)

### Accessories; 2250 Series

Appropriate marking systems:  
WMB/WMB Inline/Marking strips

#### Push-in type jumper bar; insulated; I<sub>N</sub> 14 A; light gray



2-way	2000-402	25
3-way	2000-403	25
4-way	2000-404	25
5-way	2000-405	25
6-way	2000-406	25
7-way	2000-407	25
8-way	2000-408	25
9-way	2000-409	25
10-way	2000-410	25

#### Push-in type jumper bar; insulated; I<sub>N</sub> 14 A; light gray



1 to 3	2000-433	25
1 to 4	2000-434	25
1 to 5	2000-435	25
1 to 6	2000-436	25
1 to 7	2000-437	25
1 to 8	2000-438	25
1 to 9	2000-439	25
1 to 10	2000-440	25

#### Delta jumper; insulated; I<sub>N</sub> = I<sub>N</sub> terminal block; light gray



1-2 3-4 5-6	2000-406/020-000	25
-------------	------------------	----

#### Star point jumper; insulated; I<sub>N</sub> = I<sub>N</sub> terminal block; light gray



1-3-5	2000-405/011-000	25
-------	------------------	----

#### Push-in type wire jumper; insulated; 0.75 mm<sup>2</sup> conductor cross-section; I<sub>N</sub> 9 A



L = 60 mm	2009-402	100 (10)
L = 110 mm	2009-404	100 (10)
L = 250 mm	2009-406	100 (10)

#### Modular connector; snaps together; for jumper contact slot

Terminal block width: 5 mm / 0.197 inch  
Only for test purposes



gray	2000-511	100 (25)
------	----------	----------

### Accessories; 2250 Series

Appropriate marking systems:  
WMB/WMB Inline/Marking strips

Modular connector; snaps together; for jumper contact slot  
Only for test purposes



gray	2000-510	100 (25)
------	----------	----------

Spacer module; snaps together; bridges commoned terminal blocks



gray	2000-549	100 (25)
------	----------	----------

Test plug; with 500 mm cable; 2 mm Ø; max. 42 V



red	210-136	50
-----	---------	----

Mounting foot with screw; for DIN-35 rail; can be screwed on terminal blocks with mounting flange; 6.4 mm wide



gray	209-123	25
------	---------	----

Mounting adapter; for DIN-35 rail; can be used as end plate; 6.5 mm wide



gray	209-137	25
------	---------	----

PUSH-IN CAGE CLAMP®

Заказ на сайте

www.wago.ru

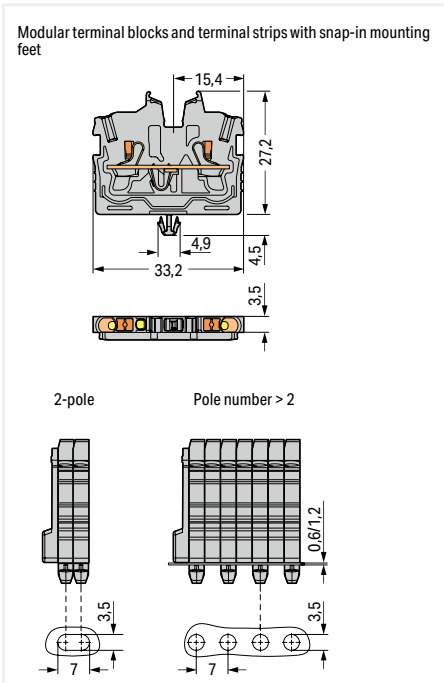
# Miniature Through Terminal Block TOPJOB® S; with Push-Button; with Snap-In Mounting Foot 1 (1.5) mm<sup>2</sup>; 2250 Series

## Technical Data

0.14 ... 1 (1.5) mm <sup>2</sup> ①	24 ... 16 AWG
500 V/6 kV/3 ②	300 V, 10 A ④
I <sub>N</sub> 13.5 A (17.5 A)	300 V, 10 A ④
Terminal block width: 3.5 mm / 0.138 inch	
9 ... 11 mm / 0.35 ... 0.43 inch	



Dimensions (in mm):



2-conductor miniature through terminal block; with push-button; with snap-in mounting foot; for 0.6 ... 1.2 mm plate thickness; 3.5 mm mounting hole diameter; also for aluminum DIN-rail (210-154) or with mounting foot (209-120) for DIN-35 rail

Color	Item No.	Pack. Unit
gray ④	2250-311 ④	100
blue ④	2250-314 ③ ④	100
green-yellow ④	2250-317 ④	100

2-conductor miniature through terminal block; with push-button; center terminal block; without snap-in mounting foot; without mounting flange; for 0.6 ... 1.2 mm plate thickness; required between end plate and end terminal block for terminal strips with mounting flanges

Color	Item No.	Pack. Unit
gray ④	2250-321 ④	100
blue ④	2250-324 ③ ④	100
green-yellow ④	2250-327 ④	100

① Conductor range: 0.14 ... 1.5 mm<sup>2</sup> "s+f-st"; Push-in termination: 0.5 ... 1.5 mm<sup>2</sup> "s" and 0.5 ... 0.75 mm<sup>2</sup> "insulated ferrules; 10 mm" Depending on the conductor characteristic, a conductor with a smaller cross section can also be inserted via push-in termination.

② 500 V = rated voltage  
6 kV = rated impulse voltage  
3 = pollution degree  
(see Section 15)

③ Terminal blocks with a blue insulated housing are suitable for Ex i applications.

④ Terminal blocks with an Ex mark are suitable for Ex e II applications.  
352 V; 13.5 A  
12 A jumper  
(see Section 15)

Please observe the application notes:  
Jumpers, from page 174  
Testing accessories, from page 168  
Marking, from page 640

Approvals and corresponding ratings, visit [www.wago.com](http://www.wago.com)

## Accessories; 2250 Series

Appropriate marking systems:  
WMB/WMB Inline/Marking strips

End plate; for terminal blocks with snap-in mounting foot; 3.4 mm thick

gray	2050-391	100 (25)
------	----------	----------

Push-in type jumper bar; insulated; I<sub>N</sub> 14 A; light gray

2-way	2000-402	25
3-way	2000-403	25
4-way	2000-404	25
5-way	2000-405	25
6-way	2000-406	25
7-way	2000-407	25
8-way	2000-408	25
9-way	2000-409	25
10-way	2000-410	25

Push-in type jumper bar; insulated; I<sub>N</sub> 14 A; light gray

1 to 3	2000-433	25
1 to 4	2000-434	25
1 to 5	2000-435	25
1 to 6	2000-436	25
1 to 7	2000-437	25
1 to 8	2000-438	25
1 to 9	2000-439	25
1 to 10	2000-440	25

Delta jumper; insulated; I<sub>N</sub> = I<sub>N</sub> terminal block; light gray

1-2 3-4 5-6	2000-406/020-000	25
-------------	------------------	----

Star point jumper; insulated; I<sub>N</sub> = I<sub>N</sub> terminal block; light gray

1-3-5	2000-405/011-000	25
-------	------------------	----

Push-in type wire jumper; insulated; 0.75 mm<sup>2</sup> conductor cross-section; I<sub>N</sub> 9 A

L = 60 mm	2009-402	100 (10)
L = 110 mm	2009-404	100 (10)
L = 250 mm	2009-406	100 (10)

## Accessories; 2250 Series

Appropriate marking systems:  
WMB/WMB Inline/Marking strips

Modular connector; snaps together; for jumper contact slot  
Terminal block width: 5 mm / 0.197 inch  
Only for test purposes

gray	2000-511	100 (25)
------	----------	----------

Modular connector; snaps together; for jumper contact slot  
Only for test purposes

gray	2000-510	100 (25)
------	----------	----------

Spacer module; snaps together; bridges commoned terminal blocks

gray	2000-549	100 (25)
------	----------	----------

Test plug; with 500 mm cable; 2 mm Ø; max. 42 V

red	210-136	50
-----	---------	----

Aluminum DIN-rail; 1000 mm long; 18 mm wide; 7 mm high

	210-154	1
--	---------	---

Plastic end stop; with WSB marker slot; for aluminum DIN-rail (210-154); 6 mm wide

	209-122	25
--	---------	----

Mounting foot; for DIN-35 rail; snaps onto terminal blocks with snap-in mounting foot; 6.4 mm wide

gray	209-120	25
------	---------	----

Mounting screw; for mounting foot (209-120)

	209-119	500 (50)
--	---------	----------

Mounting adapter; for DIN-35 rail; can be used as end plate; 6.5 mm wide

gray	209-137	25
------	---------	----

PUSH-IN CAGE CLAMP®

Заказ на сайте

www.wgspb.ru

## Miniature Through Terminal Block TOPJOB® S; with Mounting Flange 1 (1.5) mm<sup>2</sup>; 2050 Series

### Technical Data

0.14 ... 1 (1.5) mm<sup>2</sup> ① 24 ... 16 AWG

500 V/6 kV/3 ② 300 V, 10 A ③

I<sub>N</sub> 13.5 A (17.5 A) 300 V, 10 A ④

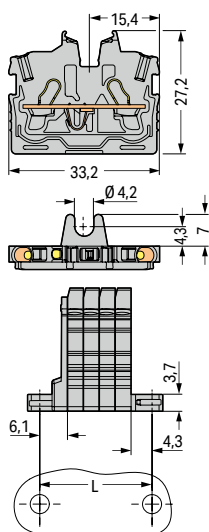
Terminal block width: 3.5 mm / 0.138 inch

9 ... 11 mm / 0.35 ... 0.43 inch



4

Dimensions (in mm):

Modular terminal blocks and terminal strips with mounting flanges  
L = (pole no. x 3.5 mm) + 4.3 mm + 6.1 mm

2-conductor miniature through terminal block; with mounting flange; for screw or similar mounting types; 4.2 mm mounting hole diameter; with mounting foot (209-123) also for DIN-35 rail

Color	Item No.	Pack. Unit
gray ⑤	2050-301 ④	100
blue ⑥	2050-304 ③ ④	100
green-yellow ⑦	2050-307 ④	100

2-conductor miniature through terminal block; center terminal block; without snap-in mounting foot; without mounting flange; for 0.6 ... 1.2 mm plate thickness; required between end plate and end terminal block for terminal strips with mounting flanges

gray ⑤	2050-321 ④	100
blue ⑥	2050-324 ③ ④	100
green-yellow ⑦	2050-327 ④	100

### Accessories; 2050 Series

Appropriate marking systems:  
WMB/WMB Inline/Marking strips

End plate; with mounting flange; 1.3 mm thick

gray 2050-381 100 (25)



① Conductor range: 0.14 ... 1.5 mm<sup>2</sup> "s+f-st";  
Push-in termination: 0.5 ... 1.5 mm<sup>2</sup> "s" and  
0.5 ... 0.75 mm<sup>2</sup> "insulated ferrules; 10 mm"  
Depending on the conductor characteristic, a conductor  
with a smaller cross section can also be inserted  
via push-in termination.

② 500 V = rated voltage  
6 kV = rated impulse voltage  
3 = pollution degree  
(see Section 15)


③ Terminal blocks with a blue insulated housing are  
suitable for Ex i applications.

④ Terminal blocks with an Ex mark are suitable for Ex e II  
applications.  
352 V; 13.5 A  
12 A jumper  
(see Section 15)

Please observe the application notes:  
Jumpers, from page 174  
Testing accessories, from page 168  
Marking, from page 640Approvals and corresponding ratings,  
visit [www.wago.com](http://www.wago.com)

### Accessories; 2050 Series

Appropriate marking systems:  
WMB/WMB Inline/Marking stripsPush-in type jumper bar; insulated; I<sub>N</sub> 14 A; light gray

	2-way	2000-402	25
	3-way	2000-403	25
	4-way	2000-404	25
	5-way	2000-405	25
	6-way	2000-406	25
	7-way	2000-407	25
	8-way	2000-408	25
	9-way	2000-409	25
	10-way	2000-410	25

Push-in type jumper bar; insulated; I<sub>N</sub> 14 A; light gray

	1 to 3	2000-433	25
	1 to 4	2000-434	25
	1 to 5	2000-435	25
	1 to 6	2000-436	25
	1 to 7	2000-437	25
	1 to 8	2000-438	25
	1 to 9	2000-439	25
	1 to 10	2000-440	25

Delta jumper; insulated; I<sub>N</sub> = I<sub>N</sub> terminal block; light gray

	1-2 3-4 5-6	2000-406/020-000	25
---	-------------	------------------	----

Star point jumper; insulated; I<sub>N</sub> = I<sub>N</sub> terminal block; light gray

	1-3-5	2000-405/011-000	25
---	-------	------------------	----

Push-in type wire jumper; insulated; 0.75 mm<sup>2</sup> conductor  
cross-section; I<sub>N</sub> 9 A

	L = 60 mm	2009-402	100 (10)
	L = 110 mm	2009-404	100 (10)
	L = 250 mm	2009-406	100 (10)

Protective warning marker; with black high-voltage  
symbol; for 5 terminal blocks

	yellow	2000-115	100 (25)
---	--------	----------	----------

Modular connector; snaps together; for jumper contact slot  
Terminal block width: 5 mm / 0.197 inch  
Only for test purposes

	gray	2000-511	100 (25)
---	------	----------	----------

### Accessories; 2050 Series

Appropriate marking systems:  
WMB/WMB Inline/Marking stripsModular connector; snaps together; for jumper contact slot  
Only for test purposes

	gray	2000-510	100 (25)
---	------	----------	----------

Spacer module; snaps together; bridges commoned  
terminal blocks

	gray	2000-549	100 (25)
---	------	----------	----------

Test plug; with 500 mm cable; 2 mm Ø; max. 42 V

	red	210-136	50
---	-----	---------	----

Mounting foot with screw; for DIN-35 rail; can be screwed  
on terminal blocks with mounting flange; 6.4 mm wide

	gray	209-123	25
---	------	---------	----

Mounting adapter; for DIN-35 rail; can be used as end  
plate; 6.5 mm wide

	gray	209-137	25
---	------	---------	----

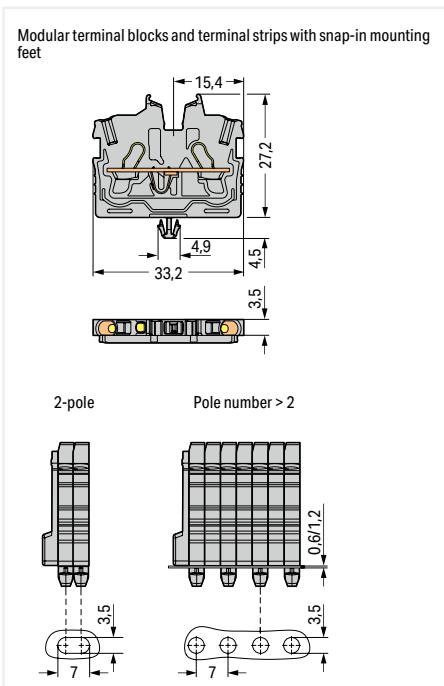
# Miniature Through Terminal Block TOPJOB® S; with Snap-In Mounting Foot 1 (1.5) mm<sup>2</sup>; 2050 Series

## Technical Data

0.14 ... 1 (1.5) mm <sup>2</sup> ①	24 ... 16 AWG
500 V/6 kV/3 ②	300 V, 10 A ③
I <sub>N</sub> 13.5 A (17.5 A)	300 V, 10 A ④
Terminal block width: 3.5 mm / 0.138 inch	
9 ... 11 mm / 0.35 ... 0.43 inch	



Dimensions (in mm):



2-conductor miniature through terminal block; with snap-in mounting foot; for 0.6 ... 1.2 mm plate thickness; 3.5 mm mounting hole diameter; also for aluminum DIN-rail (210-154) or with mounting foot (209-120) for DIN-35 rail

Color	Item No.	Pack. Unit
gray ⑤	2050-311 ④	100
blue ⑤	2050-314 ③ ④	100
green-yellow ⑤	2050-317 ④	100

2-conductor miniature through terminal block; center terminal block; without snap-in mounting foot; without mounting flange; for 0.6 ... 1.2 mm plate thickness; required between end plate and end terminal block for terminal strips with mounting flanges

Color	Item No.	Pack. Unit
gray ⑤	2050-321 ④	100
blue ⑤	2050-324 ③ ④	100
green-yellow ⑤	2050-327 ④	100

① Conductor range: 0.14 ... 1.5 mm<sup>2</sup> "s+f-st"; Push-in termination: 0.5 ... 1.5 mm<sup>2</sup> "s" and 0.5 ... 0.75 mm<sup>2</sup> "insulated ferrules; 10 mm" Depending on the conductor characteristic, a conductor with a smaller cross section can also be inserted via push-in termination.

② 500 V = rated voltage  
6 kV = rated impulse voltage  
3 = pollution degree (see Section 15)

③ Terminal blocks with a blue insulated housing are suitable for Ex i applications.

④ Terminal blocks with an Ex mark are suitable for Ex e II applications.  
352 V; 13.5 A  
12 A jumper (see Section 15)

Please observe the application notes:  
Jumpers, from page 174  
Testing accessories, from page 168  
Marking, from page 640

Approvals and corresponding ratings, visit [www.wago.com](http://www.wago.com)

## Accessories; 2050 Series

Appropriate marking systems:  
WMB/WMB Inline/Marking strips

End plate; for terminal blocks with snap-in mounting foot; 3.4 mm thick

gray	2050-391	100 (25)
------	----------	----------

Push-in type jumper bar; insulated; I<sub>N</sub> 14 A; light gray

2-way	2000-402	25
3-way	2000-403	25
4-way	2000-404	25
5-way	2000-405	25
6-way	2000-406	25
7-way	2000-407	25
8-way	2000-408	25
9-way	2000-409	25
10-way	2000-410	25

Push-in type jumper bar; insulated; I<sub>N</sub> 14 A; light gray

1 to 3	2000-433	25
1 to 4	2000-434	25
1 to 5	2000-435	25
1 to 6	2000-436	25
1 to 7	2000-437	25
1 to 8	2000-438	25
1 to 9	2000-439	25
1 to 10	2000-440	25

Delta jumper; insulated; I<sub>N</sub> = I<sub>N</sub> terminal block; light gray

1-2 3-4 5-6	2000-406/020-000	25
-------------	------------------	----

Star point jumper; insulated; I<sub>N</sub> = I<sub>N</sub> terminal block; light gray

1-3-5	2000-405/011-000	25
-------	------------------	----

Push-in type wire jumper; insulated; 0.75 mm<sup>2</sup> conductor cross-section; I<sub>N</sub> 9 A

L = 60 mm	2009-402	100 (10)
L = 110 mm	2009-404	100 (10)
L = 250 mm	2009-406	100 (10)

Protective warning marker; with black high-voltage symbol; for 5 terminal blocks

yellow	2000-115	100 (25)
--------	----------	----------

## Accessories; 2050 Series

Appropriate marking systems:  
WMB/WMB Inline/Marking strips

Modular connector; snaps together; for jumper contact slot  
Terminal block width: 5 mm / 0.197 inch  
Only for test purposes

gray	2000-511	100 (25)
------	----------	----------

Modular connector; snaps together; for jumper contact slot  
Only for test purposes

gray	2000-510	100 (25)
------	----------	----------

Spacer module; snaps together; bridges commoned terminal blocks

gray	2000-549	100 (25)
------	----------	----------

Test plug; with 500 mm cable; 2 mm Ø; max. 42 V

red	210-136	50
-----	---------	----

Aluminum DIN-rail; 1000 mm long; 18 mm wide; 7 mm high

	210-154	1
--	---------	---

Plastic end stop; with WSB marker slot; for aluminum DIN-rail (210-154); 6 mm wide

	209-122	25
--	---------	----

Mounting foot; for DIN-35 rail; snaps onto terminal blocks with snap-in mounting foot; 6.4 mm wide

gray	209-120	25
------	---------	----

Mounting screw; for mounting foot (209-120)

	209-119	500 (50)
--	---------	----------

Mounting adapter; for DIN-35 rail; can be used as end plate; 6.5 mm wide

gray	209-137	25
------	---------	----