

Group marker carrier

for end stops (249-116 and 249-117); for 2 WMB markers or 1 continuous strip ► Snap-on type and adjustable in height from 43.5 mm to 59.5 mm

for end stops (249-116 and 249-117); for 1 marker or self-adhesive label and transparent protective marker cover ► Snap-on type and adjustable in height from 43.5 mm to 59.5 mm

for end stops (249-116 and 249-117); for 9 WMB markers or 1 TOPJOB® S marking strip ► Snap-on type and adjustable in height from 45 mm to 61 mm



249-118

249-119

2009-163

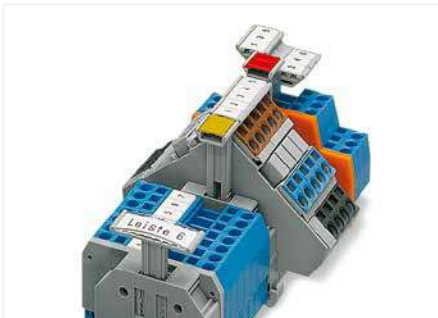
Breite: 10 mm		
Color	Item no.	PU (SPU)
○ gray	249-118	100 (25)

Breite: 10 mm		
Color	Item no.	PU (SPU)
○ gray	249-119	50 (25)

Breite: 12.2 mm		
Color	Item no.	PU (SPU)
○ gray	2009-163	50 (25)



Height-adjustable group marker carrier



This system can be used as an additional group marker carrier or continuous marking strip carrier for terminal strips or single-deck rail-mount terminal blocks, e.g., for:

- DIN-35 rail-mount terminal strips (264 Series)
- Single-deck rail-mount terminal blocks (279 to 284 Series) with a maximum height of 49 mm (1.93 inch) from upper-edge of DIN-rail (observe conductor radius)

Receptacles for:

- 1 x marker
- 2 x WMB Multi marker or
- 3 x WCB Combi marker or
- 1 x WFB continuous marking strip



Group marker carrier (2009-163) for marking strips (2009-110)



Group marker carrier (2009-163) for marking strips (2009-110)

PU = packaging unit; SPU = subpackaging unit

Group marker carrier

Carrier-through element for end stops (249-116 and 249-117) ▶ snap-on type and adjustable in height

Carrier-end element for end stops (249-116 and 249-117) ▶ snap-on type and adjustable in height

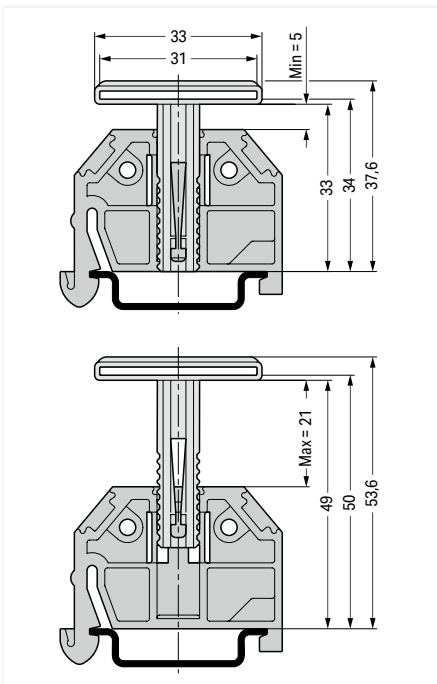
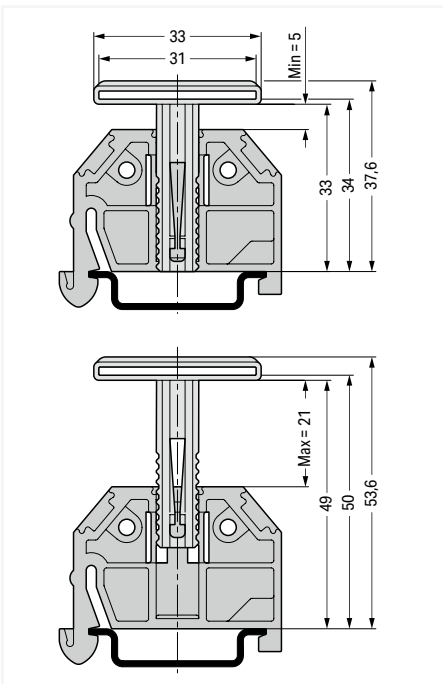


709-118

709-119

Color	Item no.	PU (SPU)
○ gray	709-118	50 (25)

Color	Item no.	PU (SPU)
○ gray	709-119	50 (25)



Laterally movable marking system



Laterally movable marking system

6

Accessories; for all products on this page



Marking strip receptacle; Folded; 1 m long; 1.7 mm thick; Width: 16 mm

Marking cards; DIN A4 card with 14 strips

Color	Item no.	PU (SPU)
○ transparent	709-120	10 (1)

Color	Item no.	PU (SPU)
○ white	709-193	50 (1)

PU = packaging unit; SPU = subpackaging unit

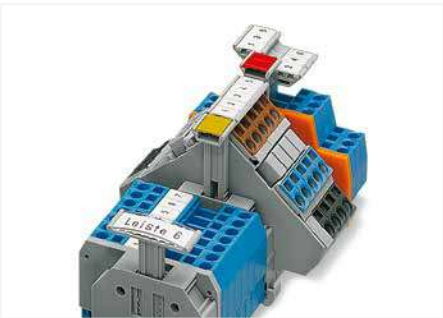
Group marker carrier

for end stops (249-116 and 249-117); with marking surface ► Snap-on type and adjustable in height from 42.2 mm to 58.2 mm



249-120

Breite: 6 mm		
Color	Item no.	PU (SPU)
○ white	249-120	50 (25)



This system can be used as an additional group marker carrier or continuous marking strip carrier for terminal strips or single-deck rail-mount terminal blocks, e.g., for:

- DIN-35 rail-mount terminal strips (264 Series)
- Single-deck rail-mount terminal blocks (279 to 284 Series) with a maximum height of 49 mm (1.93 inch) from upper-edge of DIN-rail (observe conductor radius)

Receptacles for:

- 1 x marker
- 2 x WMB Multi marker or
- 3 x WCB Combi marker or
- 1 x WFB continuous marking strip

fits into jumper slot of rail-mount terminal blocks; for terminal block width 4 ... 6 mm; for up to 3 WMB markers or 8 branch markers



209-140

Breite: 15 mm		
Color	Item no.	PU (SPU)
○ gray	209-140	50 (25)



Group marker carriers (209-141 and 209-112)

fits into the jumper slot of rail-mount terminal blocks; for up to 2 WMB markers or 5 branch markers



209-140

Breite: 10 mm		
Color	Item no.	PU (SPU)
○ gray	209-141	50 (25)



Group marker carriers (209-141 and 209-112)

Group marker carrier

fits into jumper slot of rail-mount terminal blocks; for up to 1 WMB marker or 2 branch markers

for 869 and 780 Series; fits into the jumper slot of current bars

pivoting



209-140

Breite: 5 mm		
Color	Item no.	PU (SPU)
○ gray	209-142	50 (25)



870-184

Breite: 5 mm		
Color	Item no.	PU (SPU)
○ gray	870-184	50 (25)

Breite: 10 mm		
Color	Item no.	PU (SPU)
○ gray	870-183	50 (25)

Breite: 15 mm		
Color	Item no.	PU (SPU)
○ gray	870-182	50 (25)



249-105

Color	Item no.	PU (SPU)
○ gray	249-105	50 (25)

Item-Specific Accessories

Marker; plain; 4 x 30 pieces/sheet

Color	Item no.	PU (SPU)
○ white	209-183	500 (1)

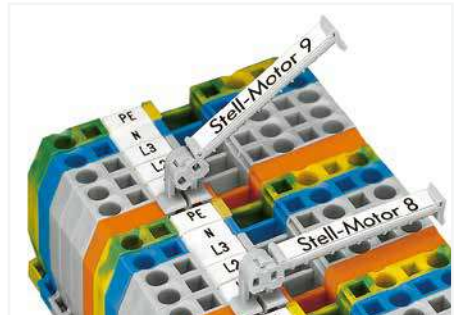


Protective marker cover

Color	Item no.	PU (SPU)
○ transparent	209-184	1000 (50)



Group marker carriers (209-141 and 209-112)



This pivoting group marker carrier has been developed for group marking of rail-mount terminal blocks and incorporates many customer requirements:

- Can be used in all multiprofile marker slots for rail-mount terminal blocks 5 mm (0.197 inch) and above or in spacer housings as shown above.
- Pivotal to seven different stable positions, providing the best visual angle in case of difficult mounting conditions
- Two levels for different marking systems
Level a: for marker (4 x 34) mm (see above)
Level b: for 12 WCB-Combi markers (see www.wagocatalog.com)

PU = packaging unit; SPU = subpackaging unit

Group marker carrier

for 2- and 3-conductor terminal blocks (282 Series) ▶ straight



209-143		
Color	Item no.	PU (SPU)
○ gray	209-143	50 (25)

for WMB Inline markers ▶ angled



209-144		
Color	Item no.	PU (SPU)
○ gray	209-144	50 (25)

snaps onto screwless end stops (center or side mounting) (249-116 and 249-117)



209-112		
Breite: 10 mm		
Color	Item no.	PU (SPU)
○ white	209-112	100 (50)

Item-Specific Accessories

Marker; from cardboard; for self-marking

Color	Item no.	PU (SPU)
○ white	209-113	500 (1)

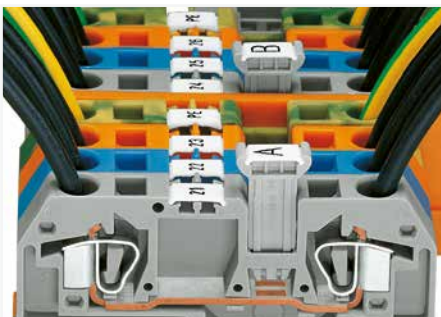


Protective marker cover

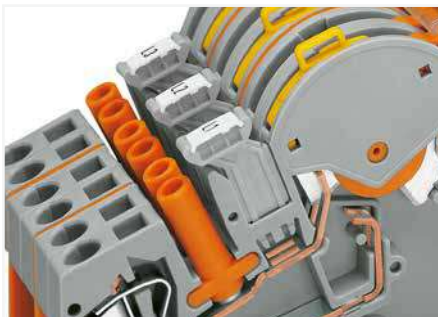
Color	Item no.	PU (SPU)
○ transparent	209-114	500 (50)

Label; for self-marking

Color	Item no.	PU (SPU)
○ white	210-345	100 (1)



Additional group marking



This group marker carrier (209-144) makes it possible to mark subgroups in confined places. They can be snapped into unused jumper contact slots of the terminal block housing. Marking is performed with the WAGO WMB Multi Marking System.



Group marker carriers (209-141 and 209-112)

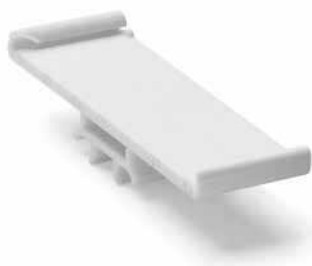


Group marking on N-busbar carrier used as an end stop

PU = packaging unit; SPU = subpackaging unit

Group marker carrier

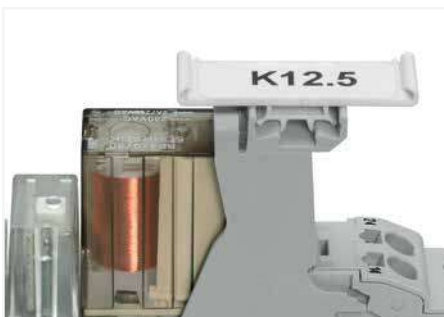
for WMB and Mini-WSB marker slots



209-145

Breite: 10 mm

Color	Item no.	PU (SPU)
○ white	209-145	100 (50)



Group marker carrier (209-145)



Group marker carrier (209-145)

6

Accessories; for all products on this page

Marker; from cardboard; for self-marking

Color	Item no.	PU (SPU)
○ white	209-113	500 (1)



Protective marker cover

Color	Item no.	PU (SPU)
○ transparent	209-114	500 (50)

Label; for self-marking

Color	Item no.	PU (SPU)
○ white	210-345	100 (1)

PU = packaging unit; SPU = subpackaging unit