

3D PDF DATASHEET



eCATALOGsolutions



BIM catalogs.net



PARTsolutions



Create Your Individual 3D PDF Datasheet ▶

Learn How to Create Your Mechanical Product Catalog ▶

Learn How to Create Your BIM Product Catalog ▶

Reduce Your Costs in Engineering and Purchasing ▶

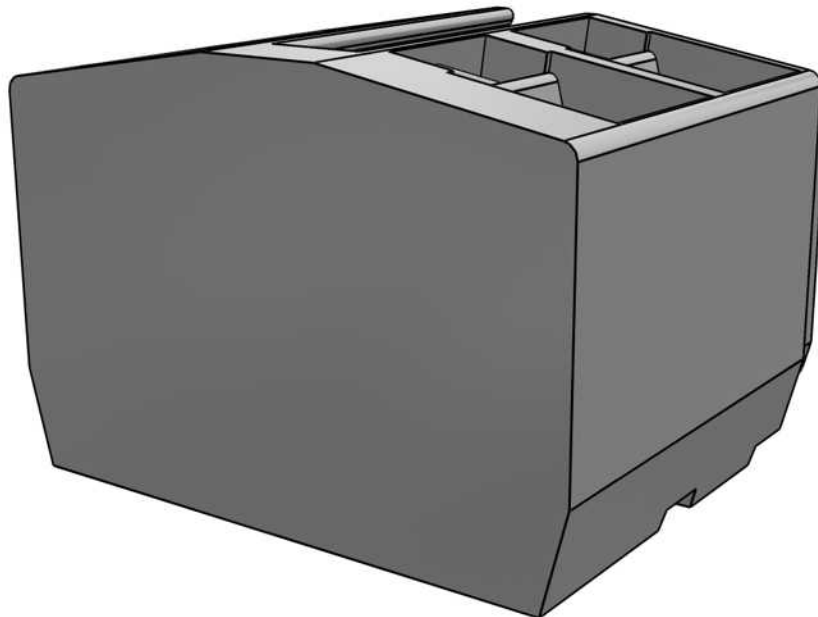
264-252

4-conductor terminal strip with snap-in mounting feet



3D View

To activate the interactive 3D view, you must trust this document (see hint on the top) in Adobe Acrobat and click on the question mark.



Zoom

Moves you toward or away from objects in the scene when you drag vertically. You can also zoom with the hand tool by holding down Shift as you drag.



Pan

Moves the model vertically and horizontally only. You can also pan with the hand tool: Ctrl-drag.



Rotate

Turns 3D objects around relative to the screen. How the objects move depends on the starting view, where you start dragging and the direction in which you drag.

3D PDF DATASHEET



eCATALOGsolutions



BIM catalogs.net



PARTsolutions



Create Your Individual 3D PDF Datasheet



Learn How to Create Your Mechanical Product Catalog



Learn How to Create Your BIM Product Catalog



Reduce Your Costs in Engineering and Purchasing

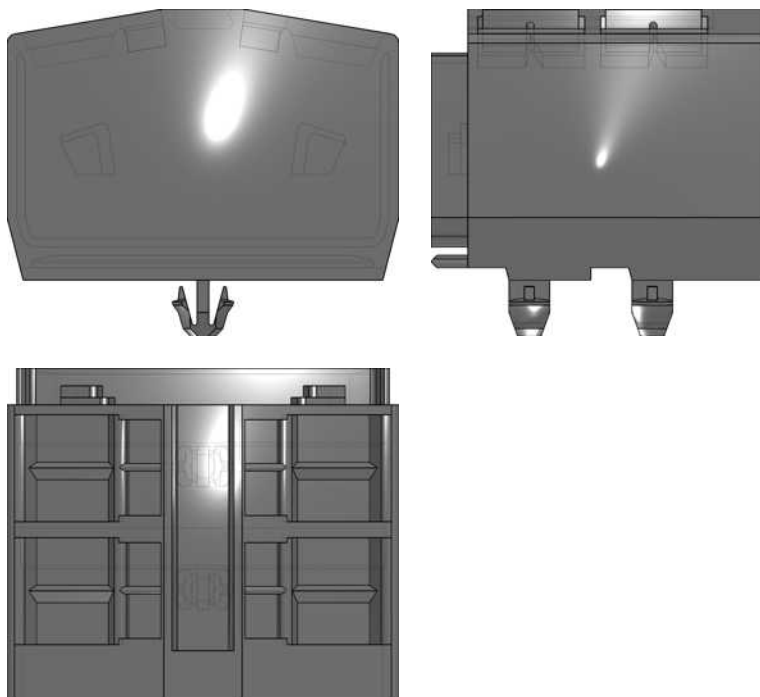


264-252

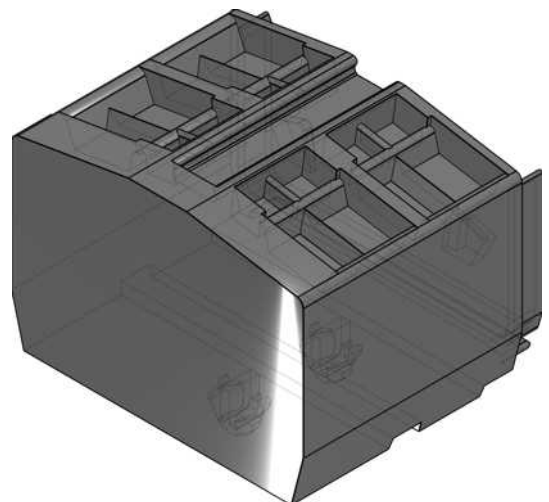
4-conductor terminal strip with snap-in mounting feet



2D derivation



ISO View



3D PDF DATASHEET



 eCATALOG solutions




 BIM catalogs.net





 PART solutions



Create Your Individual 3D PDF Datasheet 

Learn How to Create Your Mechanical Product Catalog 

Learn How to Create Your BIM Product Catalog 

Reduce Your Costs in Engineering and Purchasing 

264-252

4-conductor terminal strip with snap-in mounting feet



Technical drawings

3D PDF DATASHEET



 eCATALOG solutions



 BIM catalogs.net



 PART solutions



Create Your Individual 3D PDF Datasheet ▶

Learn How to Create Your Mechanical Product Catalog ▶

Learn How to Create Your BIM Product Catalog ▶

Reduce Your Costs in Engineering and Purchasing ▶

264-252

4-conductor terminal strip with snap-in mounting feet



Technical Data

BESTNR (Item-No.)	264-252
INFODE (WAGO eShop)	Info DE
INFOEN (WAGO eShop)	Info EN
QUERSCHNITT1 (Cross section / mm ²)	0.08 - 2.5
QUERSCHNITT2 (Cross section / AWG)	28 - 12
ABISOLIERLAENGE (Strip length / mm)	8 - 9
SPANNUNG (Measured voltage / V)	800
BEMESSSTOSSSPG (Rated impulse voltage / kV)	8
VERSCHMUTZGRAD (Pollution degree)	3
STROM (Current intensity / A)	24
P (No. of poles)	2
HOEHE (Height / mm)	22
BREITE (Width / mm)	27
TIEFE (Depth / mm)	32
ANZAHLKLEMMSTEL (No. of connection Points)	8
ANZAHPOTENTIAL (No. of potentials)	2
FARBE (Color)	gray
GEWICHT (Weight / g)	14.74
BEMERKUNGEN (Comment)	L = (No. of poles x pole width)
ECLASS71 (eCl@ss 7.1)	27-14-11-06
ECLASS81 (eCl@ss 8.1)	27-14-11-06

3D PDF DATASHEET



 eCATALOGsolutions




 BIM catalogs.net





 PARTsolutions



Create Your Individual 3D PDF Datasheet 

Learn How to Create Your Mechanical Product Catalog 

Learn How to Create Your BIM Product Catalog 

Reduce Your Costs in Engineering and Purchasing 

264-252

4-conductor terminal strip with snap-in mounting feet



Bill of Materials

N°	Description	Amount
1.1	264-252	1